

Nozzle Pressure Verification Kit for EcoQuip 2 Vapor Abrasive Blast Systems

3A3838A

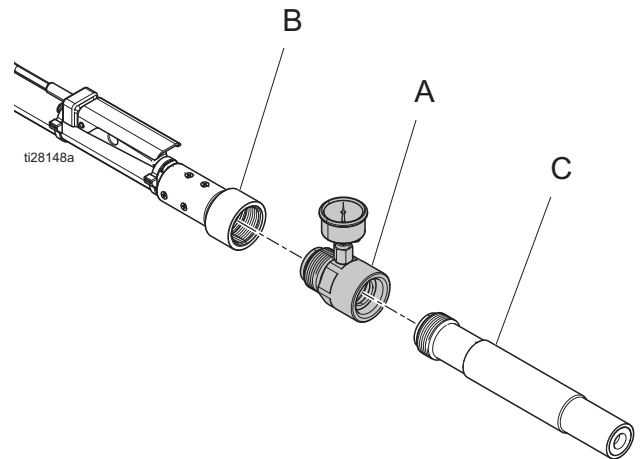
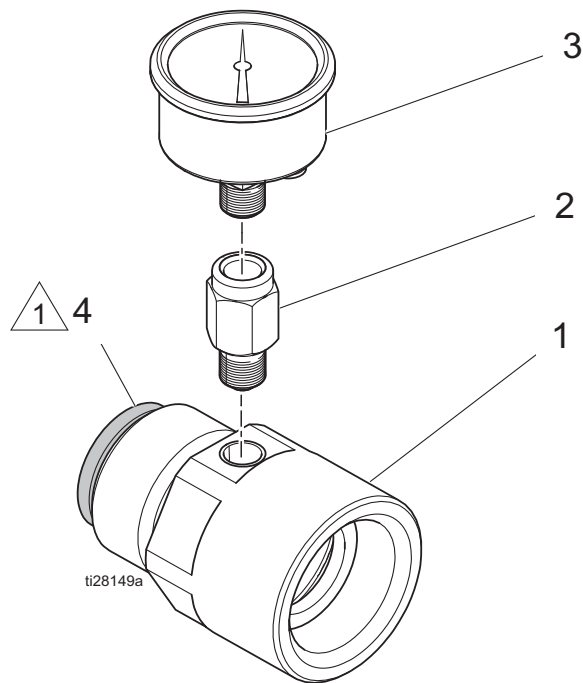
EN

Kit 17J958



Important Safety Instructions

Read all warnings and instructions in the EcoQuip2 system manual. Save these instructions.



Installation Instructions:

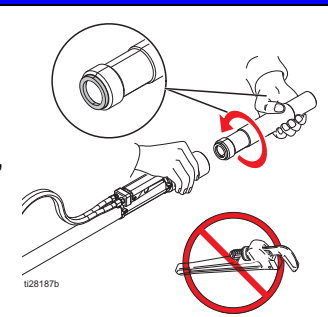
1. Thread the pressure verification tool (A) into the blast switch (B).
2. Thread the blast nozzle (C) into the pressure verification tool (A).

Ref.	Part	Description	Qty.
1	17J534	NUT, nozzle, adapter	1
2	128821	FITTING, 1/4-npt, pulse, filtered	1
3	118457	GAUGE, panel, mount	1
4	EQ1051	GASKET, blast nozzle	2

1 Apply a ring of adhesive to the assembled side of the gasket.

NOTICE

Do not use a wrench when installing the nozzle. Damage to the seal could occur. To avoid seal damage, always hand-tighten the nozzle.



128187b

Graco Information

For the latest information about Graco products, visit www.graco.com.

For patent information, see www.graco.com/patents.

**TO PLACE AN ORDER, contact your Graco distributor or call to identify the nearest distributor.
Phone: 612-623-6921 or Toll Free: 1-800-328-0211 Fax: 612-378-3505**

*All written and visual data contained in this document reflects the latest product information available at the time of publication.
Graco reserves the right to make changes at any time without notice.*

Original instructions. This manual contains English. MM 3A3838

Graco Headquarters: Minneapolis

International Offices: Belgium, China, Japan, Korea

GRACO INC. AND SUBSIDIARIES • P.O. BOX 1441 • MINNEAPOLIS MN 55440-1441 • USA
Copyright 2014, Graco Inc. All Graco manufacturing locations are registered to ISO 9001.

www.graco.com

Revision A, February 2016