

# Filter and Regulator Kits

3A3950C

EN

*For filtering and regulating air to GM100 Hot Melt Applicators. For professional use only.*

## Kit No. 26A121

Use if the GM100 Applicators do not have an InvisiPac® system, or if air to the GM100 Applicators does not pass through the air filter.

## Kit No. 26A122

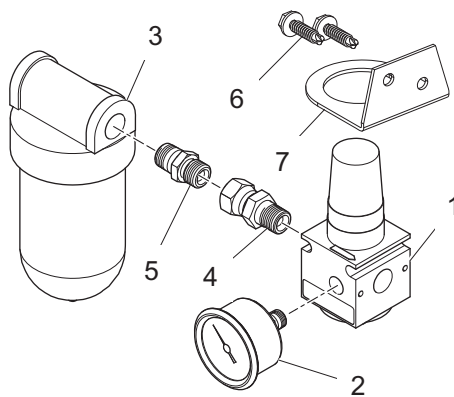
Use if the air to the GM 100 Applicators is being filtered but the pressure needs to be regulated.



### Important Safety Instructions

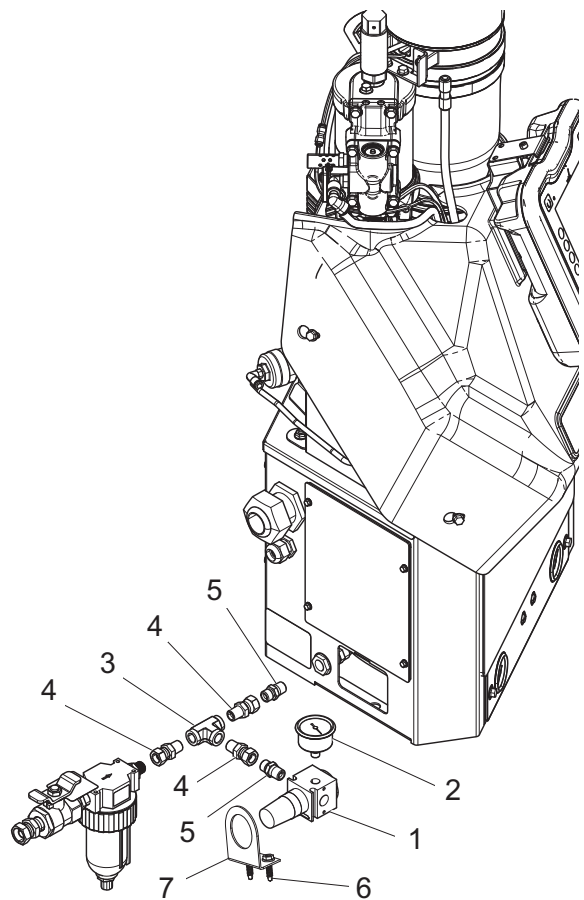
Read all warnings and instructions in this manual and in the GM100 Instructions-Parts manual. Save all instructions.

## 26A121



Ref.	Part	Description	Qty.
1	111804	Regulator	1
2	129055	Gauge	1
3	106148	FILTER, Air	1
4	156823	FITTING, Swivel	1
5	157350	FITTING, Nipple, 1/4 npt x 3/8 npt	1
6	120093	SCREW, self drilling	2
7	110321	BRACKET, mounting	1
8	127591	TAPE, PTFE (not shown)	1

## 26A122



Ref.	Part	Description	Qty.
1	111804	Regulator	1
2	129055	Gauge	1
3	104984	FITTING, tee	1
4	156823	FITTING, Swivel	3
5	157350	FITTING, Nipple, 1/4 npt x 3/8 npt	2
6	120093	SCREW, self drilling	2
7	110321	BRACKET, mounting	1
8	127591	TAPE, PTFE (not shown)	1

# Graco Information

## Sealant and Adhesive Dispensing Equipment

For the latest information about Graco products, visit [www.graco.com](http://www.graco.com).

For patent information, see [www.graco.com/patents](http://www.graco.com/patents).

**TO PLACE AN ORDER**, contact your Graco distributor, go to [www.graco.com](http://www.graco.com), or call to identify the nearest distributor.

**If calling from the USA:** 1-800-746-1334

**If calling from outside the USA:** 0-1-330-966-3000

*All written and visual data contained in this document reflects the latest product information available at the time of publication. Graco reserves the right to make changes at any time without notice.*

Original instructions. This manual contains English. MM 3A3950

**Graco Headquarters:** Minneapolis

**International Offices:** Belgium, China, Japan, Korea

**GRACO INC. AND SUBSIDIARIES • P.O. BOX 1441 • MINNEAPOLIS MN 55440-1441 • USA**  
**Copyright 2014, Graco Inc. All Graco manufacturing locations are registered to ISO 9001.**

[www.graco.com](http://www.graco.com)

Revision C, May 2021