

# Proximity Switch Cable

---

***Flying lead cable with LED and adapter cables for use with 10-32 VDC, single control, PNP, proximity switch.***

Not approved for use in European explosive atmosphere locations.

### Part Nos.:

- 24Z714 - Cable, M12 to 5 Pin, NPN\*
- 24Z715 - Cable, M12 to 3 Pin, NPN\*
- 24Z716 - Cable, M12 to 4 Pin, NPN\*
- 24Z719 - Cable, M12 to 4 Pin, PNP
- 24Z720 - Cable, M12 with LED to Flying Leads, PNP, 90°
- 25M604 - Cable, M12 with LED to Flying Leads, PNP, Straight
- 25M602 - Cable, M12 with LED to Flying Leads, NPN, Straight\*\*
- 25M603 - Cable, M12 with LED to M12, NPN, Straight\*\*

*\*NPN adapter cable connects to the PNP switch and inverts the signal to NPN for the controller.*

*\*\*When LED indication is desired on a G3 Max, G3 SP, or G3 DMS pump, an NPN configuration is needed.*



### Important Safety Instructions

Read all warnings and instructions in this manual and the instructions included with your operating system or pump. Save these instructions.

### Related Manual

Manual No.	Manual Title
3A4144	Proximity Switch

# Installation

## Model 24Z720

### NOTE:

Before installing the proximity switch cable, install the proximity switch. See the Proximity Switch instruction manual (provided with the proximity switch) for these instructions.

### Instructions

1. Disconnect power.
2. Connect flying leads. Refer to FIG. 2.
3. Connect the M12 connector to the proximity switch.
4. Re-connect the main power. Test installation to verify the proximity switch is operating correctly.

### Adapter Cable - 24Z720



FIG. 1

Connector 1	Connector 2	Polarity	Cable Length
M12	Flying Leads	PNP	16 ft.

### Female End View M12, Micro, Connector Face Pin-Out

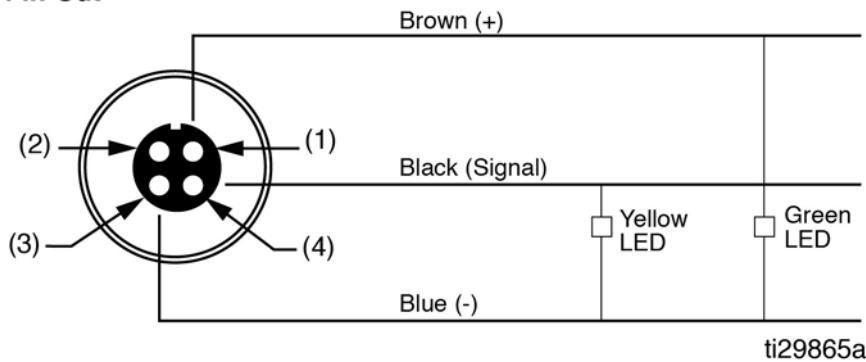


FIG. 2

**Model - 25M602: NPN**

**Female End View  
M12, Micro, Connector Face  
Pin-Out**

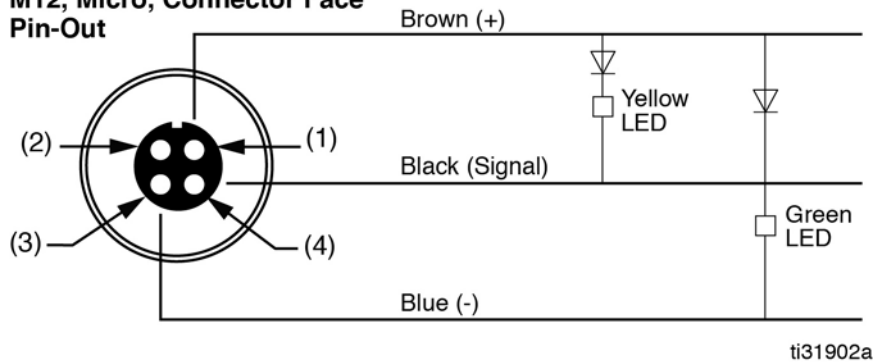


FIG. 3

**Model - 25M603: NPN**

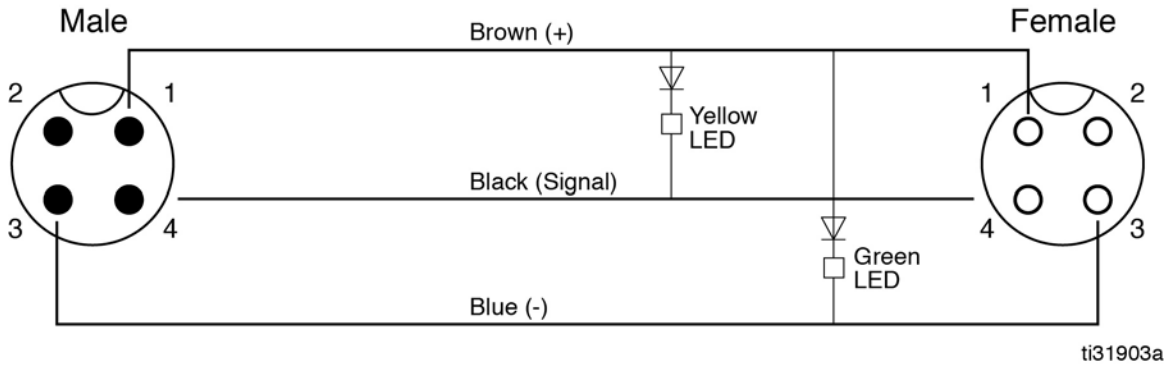


FIG. 4

**Model - 25M604: PNP**

**Female End View  
M12, Micro, Connector Face  
Pin-Out**

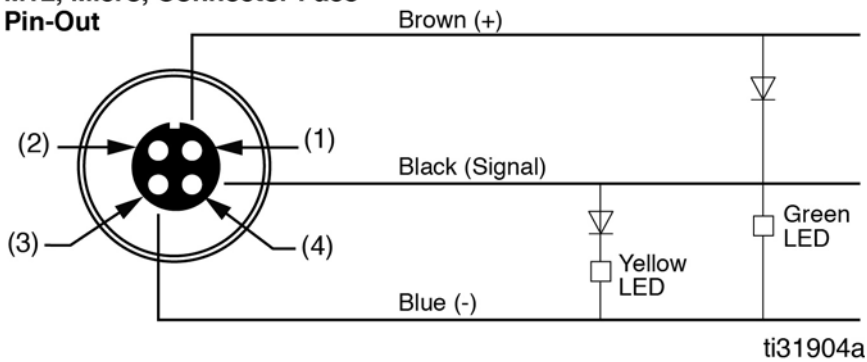


FIG. 5

## Models 24Z714-24Z716 and 24Z719

**NOTE:**

- Before installing the proximity switch cable, install the proximity switch. See the Proximity Switch instruction manual (provided with the proximity switch) for these instructions.
- Verify that the existing wiring configuration matches the adapter.
- NPN cable adapters require a 10-32 VDC power supply.
- Cable pinouts are provided for trouble shooting purposes.
- Cable Kits 24Z714, 24Z715 and 24Z716 allow the switch to function as NPN but require a DC power source. Steps 2 - 4 provide instructions for reconfiguring the already installed proximity switch cable.
- For adapter cable 24Z719 only (FIG. 8), skip steps 2-4. Instructions for this cable kit begin with Step 5.

**Instructions**

1. Disconnect power.

*Steps 2 - 4 only apply to cable kits 24Z714, 24Z715 and 24Z716.*

2. Disconnect the green wire with a yellow stripe that is currently grounded to the controller enclosure.
3. Apply the blue shrink wrap (included in the kit) around the wire so there is no green visible.
4. Connect the shrink wrapped wire (now blue) to a 10-32 VDC power source.

*Steps 5 - 7 apply to all kit models.*

5. Connect the adapter cable to the existing BH-mini connection first.
6. Connect the M12 connector to the proximity switch.
7. Re-connect the main power. Test installation to verify the proximity switch is operating correctly.

### Adapter Cable - 24Z714 - 24Z716 and 24Z719

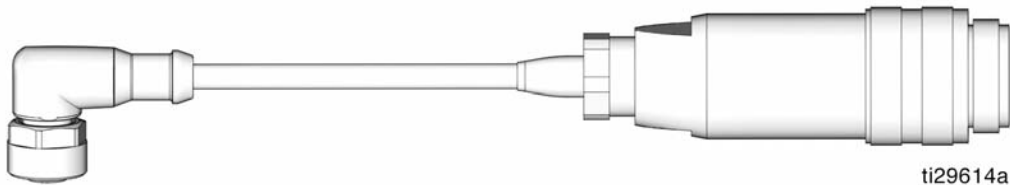


FIG. 6

### Model 24Z714

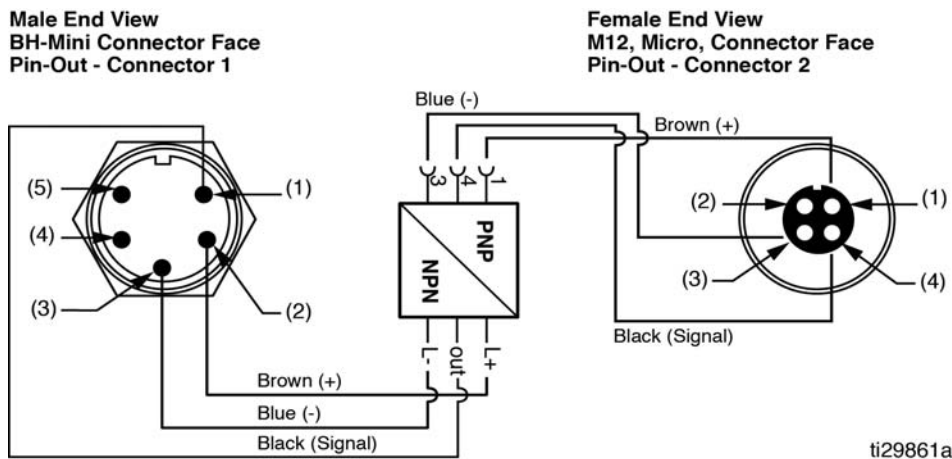


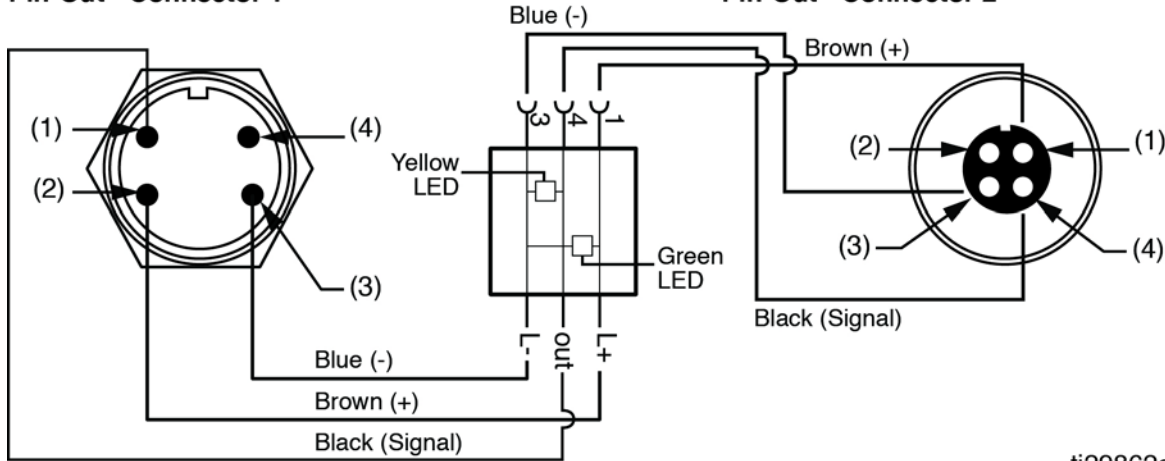
FIG. 7

Connector 1	Connector 2	Polarity	Cable Length
Straight 5 Pin	M12	NPN	12 in.

**Model - 24Z719**

**Male End View  
BH-Mini Connector Face  
Pin-Out - Connector 1**

**Female End View  
M12, Micro, Connector Face  
Pin-Out - Connector 2**



ti29862a

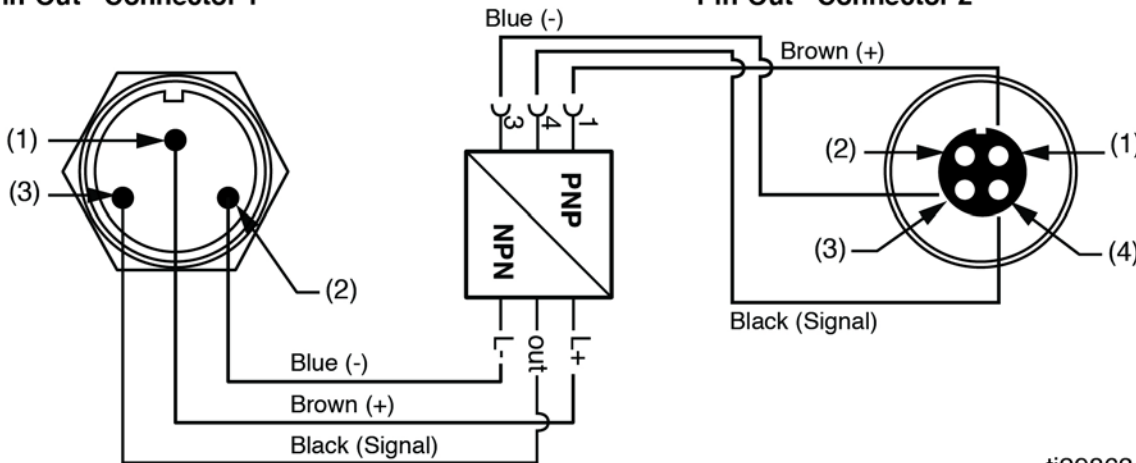
**FIG. 8**

Connector 1	Connector 2	Polarity	Cable Length
Straight 4 Pin	M12	PNP	12 in.

**Connector - 24Z715**

**Male End View  
BH-Mini Connector Face  
Pin-Out - Connector 1**

**Female End View  
M12, Micro, Connector Face  
Pin-Out - Connector 2**



ti29863a

**FIG. 9**

Connector 1	Connector 2	Polarity	Cable Length
Straight 3 Pin	M12	NPN	12 in.

## Connector - 24Z716

**Male End View**  
**BH-Mini Connector Face**  
**Pin-Out - Connector 1**

**Female End View**  
**M12, Micro, Connector Face**  
**Pin-Out - Connector 2**

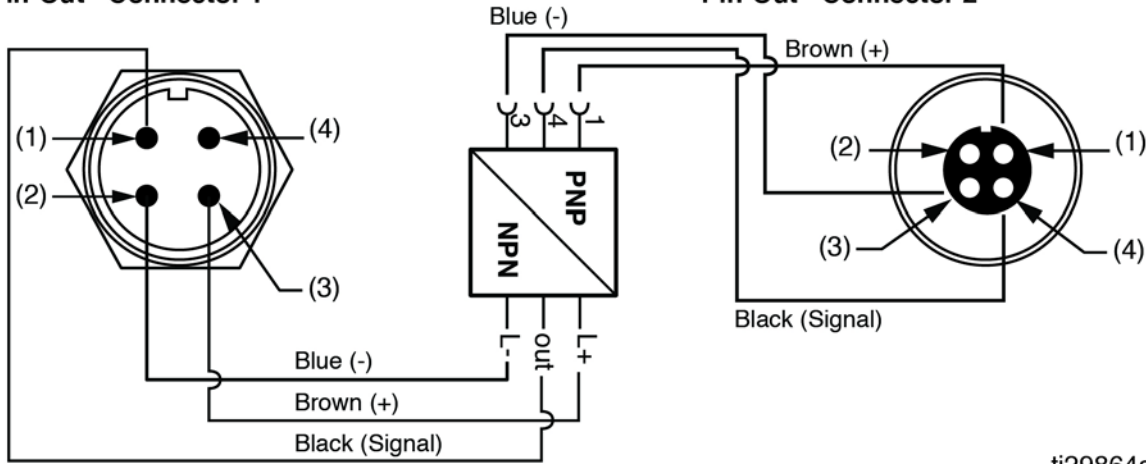


FIG. 10

ti29864a

Connector 1	Connector 2	Polarity	Cable Length
Straight 4 Pin	M12	NPN	12 in.

## Graco Information

**TO PLACE AN ORDER**, contact your Graco distributor or call to identify the nearest distributor.

**Phone:** 612-623-6928 or **Toll Free:** 1-800-533-9655, **Fax:** 612-378-3590

*All written and visual data contained in this document reflects the latest product information available at the time of publication. Graco reserves the right to make changes at any time without notice.*

Original instructions. This manual contains English. MM 3A4481

**Graco Headquarters:** Minneapolis

**International Offices:** Belgium, China, Japan, Korea

**GRACO INC. AND SUBSIDIARIES • P.O. BOX 1441 • MINNEAPOLIS MN 55440-1441 • USA**  
**Copyright 2016, Graco Inc. All Graco manufacturing locations are registered to ISO 9001.**

www.graco.com

Revision D, April 2018