

InvisiPac™ Feed System

3A4937C

EN

*For feeding adhesives to the InvisiPac Hot Melt Delivery System.
For professional use only.*

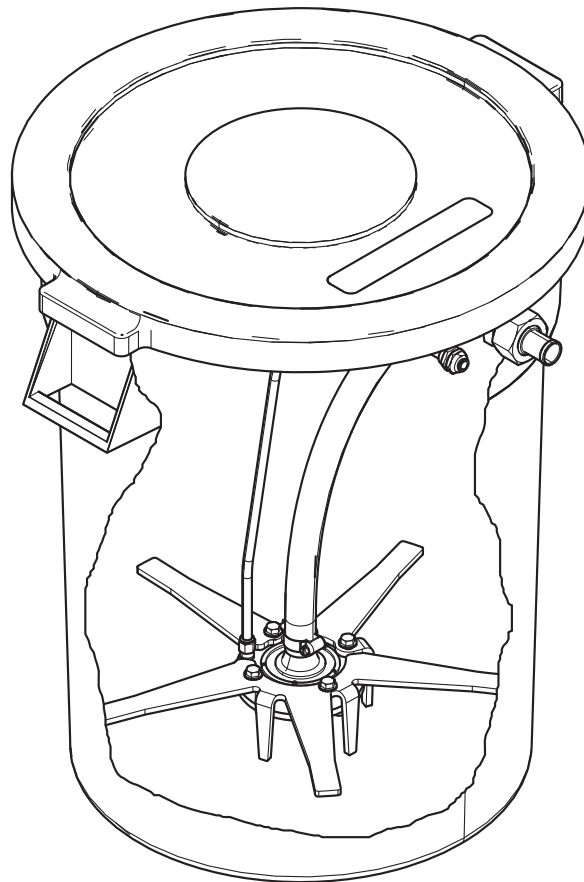


Important Safety Instructions

Read all warnings and instructions in this manual and in the InvisiPac Hot Melt Delivery System manual. Save all instructions.

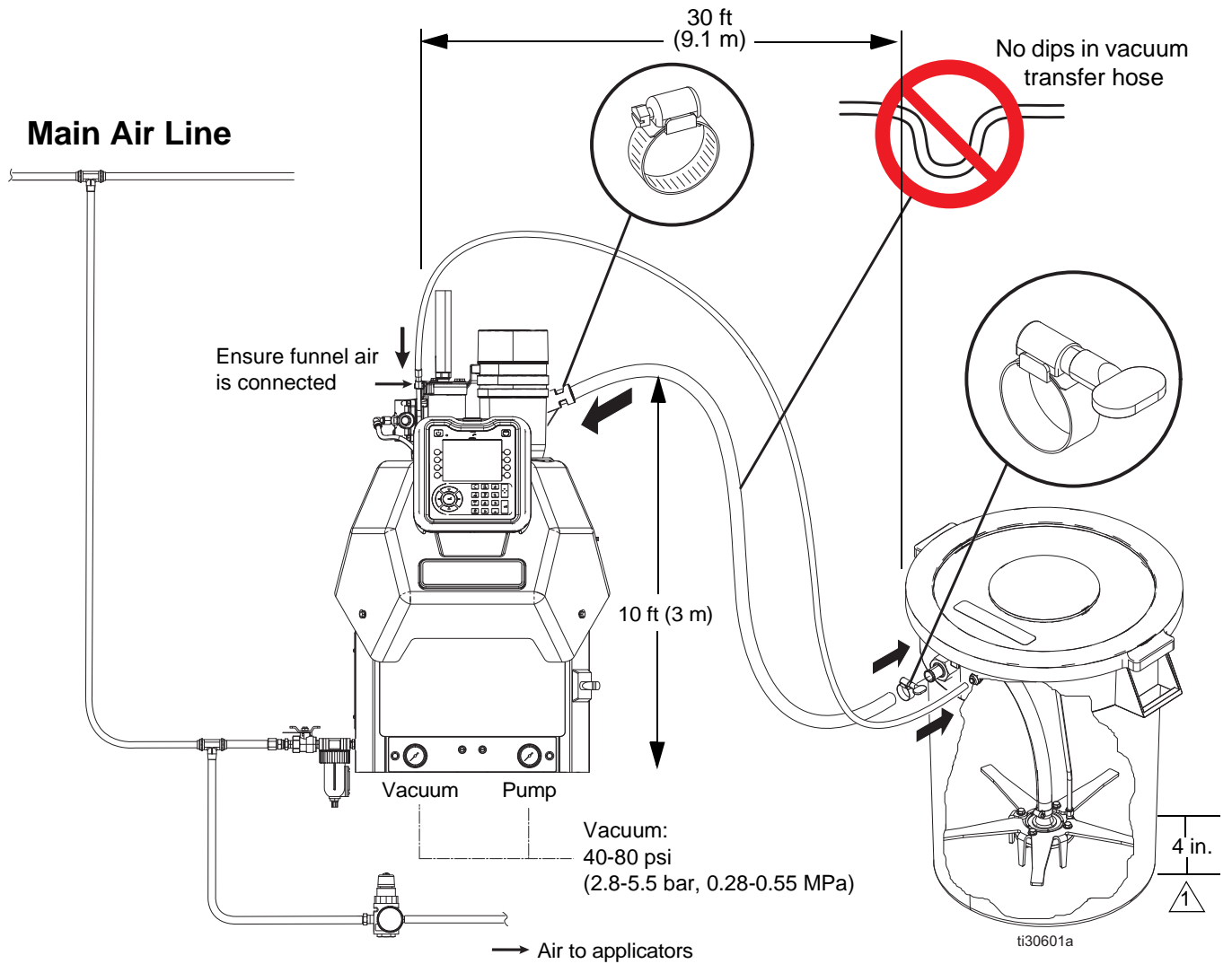
Feed Kit 25C193

(Includes 10 feet of vacuum tube and 10 feet of 3/8 in. air tube)



ti30599a

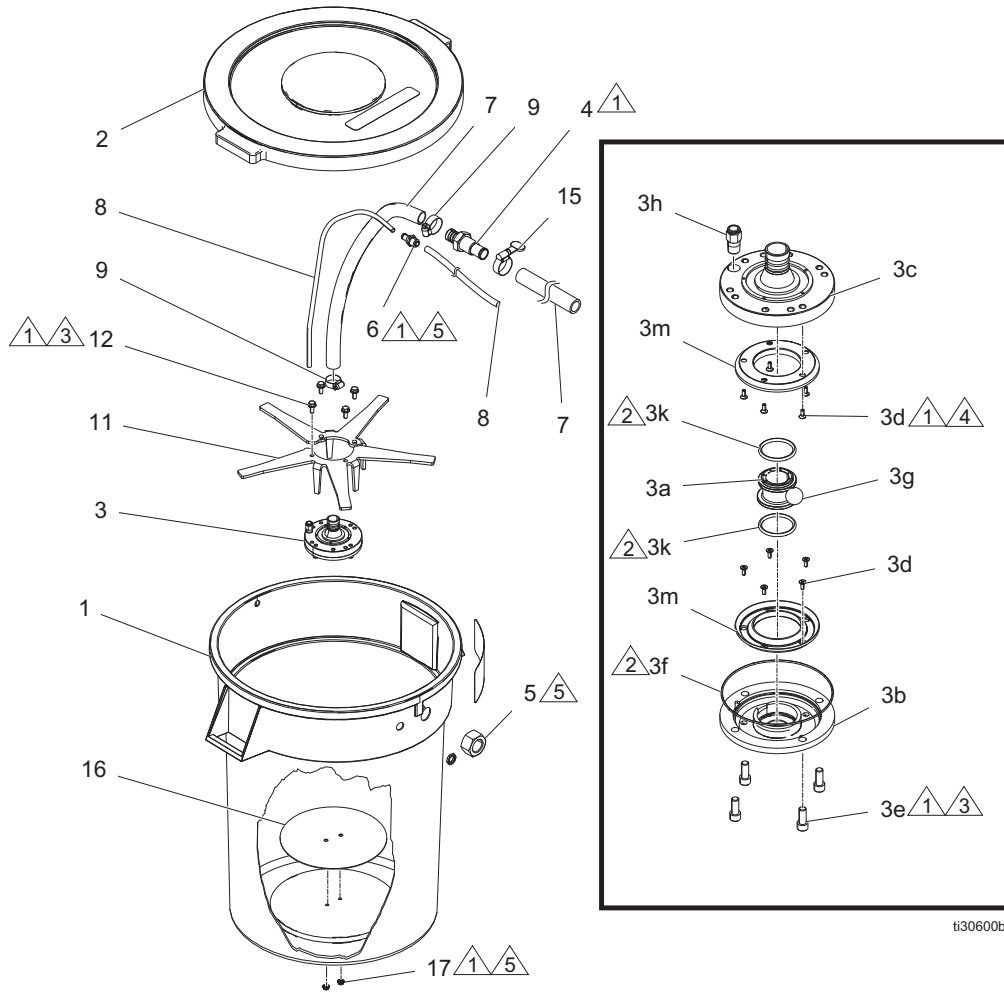
Installation



⚠ For optimum performance, always keep shaker arms covered with glue pellets (approximately 4 in.).

NOTE: See system manual for required system installation settings.

Parts



ti30600b

Ref.	Part	Description	Qty.	Ref.	Part	Description	Qty.
1	☼	HOPPER, chicklet feed	1	7	‡	TUBE, clear pvc	11
2	17C470	COVER, hopper	1	8	‡	HOSE, nylon, wpr 250 psi	12
3	26A287	SHAKER, ball/vac	1	9	125370‡	CLAMP, hose, dia. 11/16-1-1/2 in.	2
3a	-----	INSERT, vac	1	10	17N572	ARM, shaker	1
3b	-----	HOUSING, vac, top	1	11	17P233	ARM, shaker	1
3c	-----	HOUSING, vac, bottom	1	12	110963	SCREW, cap, flange head	4
3d	-----	SCREW, fhsc, 6-32 x 0.375, sst	10	14	17P382	LABEL	1
3e	-----	SCREW, 5/16-18 x .75	4	15	129621‡	CLAMP, hose, turn-key	1
3f	-----	O-RING, seal	1	16	☼	PLATE, bottom	1
3g	-----	BALL, tungsten carbide, .750	1	17	☼	NUT, flange	1
3h	-----	FITTING, air	2		△1	Apply thread sealant to threads	
3k	-----	PACKING, o-ring	2		△2	Apply grease to seals	
3m	-----	RACE, feed shaker	1		△3	Torque to 15 ft-lb (20.3 N•m)	
3n	-----	LUBRICANT, grease	1		△4	Torque to 7 in-lb (9.4 N•m)	
3p	-----	SEALANT, anaerobic	1		△5	Torque to 5 ft -lb (6.7 N•m)	
	125871	CABLE TIE	1		†	Included in Kit 17R717	
4	†	FITTING, bulkhead	1		‡	Included in Kit 17R718	
5	†	NUT, 1 1/4-12	1		☼	Included in kit 26A368	
6	598449	BULKHEAD, union	1				

Accessories

Part	Description
24R043	30 ft feed hose kit, includes hose clamp (2) clear PVC tube (30 ft), 3/8 in. nylon hose (34 ft), cable tie (10)
129745	Feed Bin Dolly
17D747	Filtered Cover

Technical Specifications

Vacuum Transfer Specifications		
	US	Metric
Maximum Vacuum Transfer Hose Length	30 ft	9.1 m
Maximum Vacuum Transfer Hose Maximum Vertical Rise	10 ft	3.0 m
Vacuum Transfer Operating Pneumatic Pressure Range (set with regulator on front of system)	40-100 psi	280-690 kPa (2.8-6.9 bar)
Vacuum Transfer Air Consumption at 40 psi (280 kPa, 2.8 bar)	9.5 scfm (intermittent duty; 4% at 25 lb/hr)	16.1 scmh (intermittent duty; 4% at 11.3 kg/hr)
Vacuum Transfer Air consumption at 80 psi (550 kPa, 5.5 bar)	17.2 scfm (intermittent duty; 4% at 25 lb/hr)	29.2 scmh (intermittent duty; 4% at 11.3 kg/hr)

Graco Standard Warranty

Graco warrants all equipment referenced in this document which is manufactured by Graco and bearing its name to be free from defects in material and workmanship on the date of sale to the original purchaser for use. With the exception of any special, extended, or limited warranty published by Graco, Graco will, for a period of twelve months from the date of sale, repair or replace any part of the equipment determined by Graco to be defective. This warranty applies only when the equipment is installed, operated and maintained in accordance with Graco's written recommendations.

This warranty does not cover, and Graco shall not be liable for general wear and tear, or any malfunction, damage or wear caused by faulty installation, misapplication, abrasion, corrosion, inadequate or improper maintenance, negligence, accident, tampering, or substitution of non-Graco component parts. Nor shall Graco be liable for malfunction, damage or wear caused by the incompatibility of Graco equipment with structures, accessories, equipment or materials not supplied by Graco, or the improper design, manufacture, installation, operation or maintenance of structures, accessories, equipment or materials not supplied by Graco.

This warranty is conditioned upon the prepaid return of the equipment claimed to be defective to an authorized Graco distributor for verification of the claimed defect. If the claimed defect is verified, Graco will repair or replace free of charge any defective parts. The equipment will be returned to the original purchaser transportation prepaid. If inspection of the equipment does not disclose any defect in material or workmanship, repairs will be made at a reasonable charge, which charges may include the costs of parts, labor, and transportation.

THIS WARRANTY IS EXCLUSIVE, AND IS IN LIEU OF ANY OTHER WARRANTIES, EXPRESS OR IMPLIED, INCLUDING BUT NOT LIMITED TO WARRANTY OF MERCHANTABILITY OR WARRANTY OF FITNESS FOR A PARTICULAR PURPOSE.

Graco's sole obligation and buyer's sole remedy for any breach of warranty shall be as set forth above. The buyer agrees that no other remedy (including, but not limited to, incidental or consequential damages for lost profits, lost sales, injury to person or property, or any other incidental or consequential loss) shall be available. Any action for breach of warranty must be brought within two (2) years of the date of sale.

GRACO MAKES NO WARRANTY, AND DISCLAIMS ALL IMPLIED WARRANTIES OF MERCHANTABILITY AND FITNESS FOR A PARTICULAR PURPOSE, IN CONNECTION WITH ACCESSORIES, EQUIPMENT, MATERIALS OR COMPONENTS SOLD BUT NOT MANUFACTURED BY GRACO. These items sold, but not manufactured by Graco (such as electric motors, switches, hose, etc.), are subject to the warranty, if any, of their manufacturer. Graco will provide purchaser with reasonable assistance in making any claim for breach of these warranties.

In no event will Graco be liable for indirect, incidental, special or consequential damages resulting from Graco supplying equipment hereunder, or the furnishing, performance, or use of any products or other goods sold hereto, whether due to a breach of contract, breach of warranty, the negligence of Graco, or otherwise.

FOR GRACO CANADA CUSTOMERS

The Parties acknowledge that they have required that the present document, as well as all documents, notices and legal proceedings entered into, given or instituted pursuant hereto or relating directly or indirectly hereto, be drawn up in English. Les parties reconnaissent avoir convenu que la rédaction du présente document sera en Anglais, ainsi que tous documents, avis et procédures judiciaires exécutés, donnés ou intentés, à la suite de ou en rapport, directement ou indirectement, avec les procédures concernées.

Graco Information

For the latest information about Graco products, visit www.graco.com.

For patent information, see www.graco.com/patents.

**TO PLACE AN ORDER, contact your Graco distributor or call to identify the nearest distributor.
Phone: 612-623-6921 or Toll Free: 1-800-328-0211 Fax: 612-378-3505**

*All written and visual data contained in this document reflects the latest product information available at the time of publication.
Graco reserves the right to make changes at any time without notice.*

This manual contains English. MM 3A4937

Graco Headquarters: Minneapolis
International Offices: Belgium, China, Japan, Korea

GRACO INC. P.O. BOX 1441 MINNEAPOLIS, MN 55440-1441

Copyright 2008, Graco Inc. is registered to I.S. EN ISO 9001

www.graco.com

Revision C - 03/2017