

GL1, GL1X, GL1XL Injector Weld Bar Kit

3A5126A

EN

Support bracket used with GL1, GL1X, or GL1XL Injectors for oil and grease lubrication only.



Important Safety Instructions

Read all warnings and instructions in this manual and in the GL1, GL1X, and GL1XL Injector, instruction manual. Save all instructions.

Part No. 17S392

1 Point and 2 Point Injector

Part No. 17S393

3 Point Injector

Part No. 17S394

4 Point Injector

Part No. 17S395

5 Point Injector

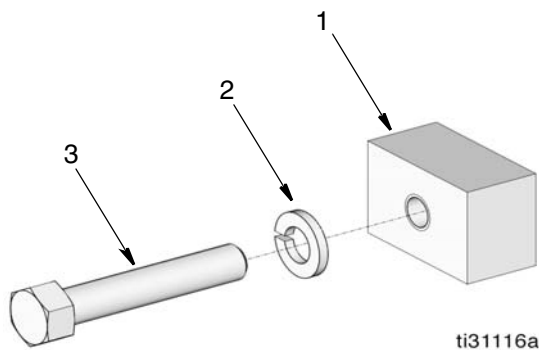
Part No. 17S396

3 Point Injector

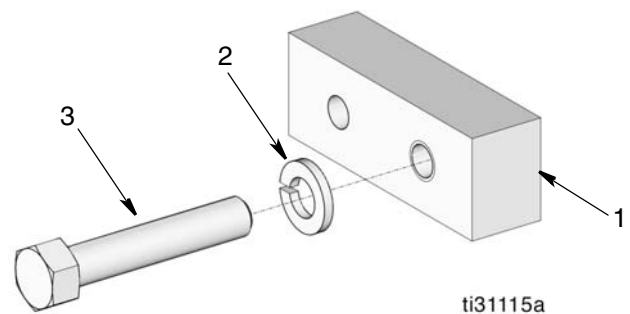
Recommendations

- Weld bar to a suitable surface to ensure a secure mounting.
- Attach injector manifold using bolts provided in the kit. Torque bolts to 25 - 30 ft-lbs (33.9 - 40.67 N•m).

Ref	Description	Quantity / Model				
		17S392	17S393	17S394	17S395	17S396
1	BRACKET, 1 and 2 pt	1				
	BRACKET, 3 pt		1			
	BRACKET, 4 pt			1		
	BRACKET, 5 pt				1	
	BRACKET, 6 pt					1
2	WASHER, lock, 3/8 inch	1	2	2	2	2
3	SCREW, cap, hex head	1	2	2	2	2



Part No. 17S392



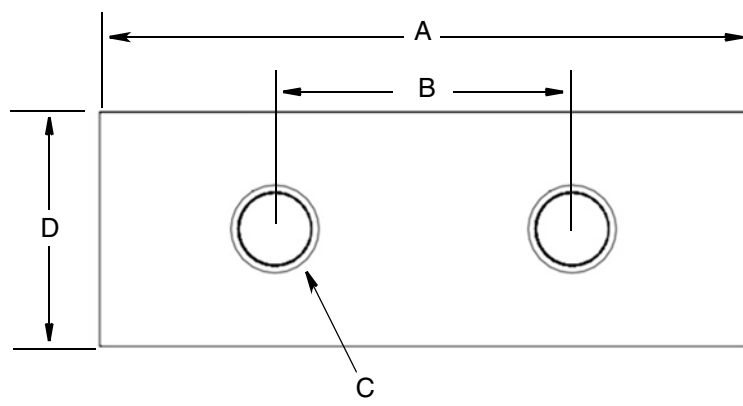
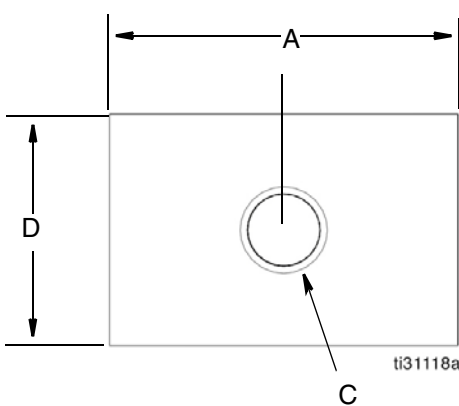
Part Nos. 17S393, 17S394, 17S395, 17S396
(Part No. 17S393 shown)

Dimensions

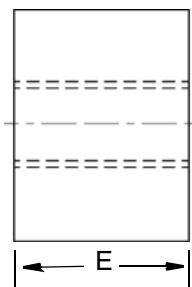
Part No.	A in. (mm)	B in. (mm)	C Tapped Thread Size	D in. (mm)	E in. (mm)
17S392	1.50 (38.1)	NA	3/8-16 UNC	1.00 (25.4)	0.75 (19.05)
17S393	2.737 (70.28)	1.237 (32.18)	2 x 3/8-16 UNC		
17S394	4.004 (101.7)	2.504 (63.6)			
17S395	5.253 (133.5)	3.756 (95.4)			
17S396	6.508 (165.3)	5.008 (127.2)			

Part No. 17S392

Part Nos. 17S393, 27S94, 17S395, 17S396
(Part No. 17S393 shown)



Side View All Parts



All written and visual data contained in this document reflects the latest product information available at the time of publication. Graco reserves the right to make changes at any time without notice.

Original instructions. This manual contains English. MM 3A5126

Graco Headquarters: Minneapolis

International Offices: Belgium, China, Japan, Korea

GRACO INC. AND SUBSIDIARIES • P.O. BOX 1441 • MINNEAPOLIS MN 55440-1441 • USA
Copyright 2017, Graco Inc. All Graco manufacturing locations are registered to ISO 9001.