

17D472 Merkur® ES Flush Kit

3A5377A

High Pressure Flush Kit for M2K Spray Packages

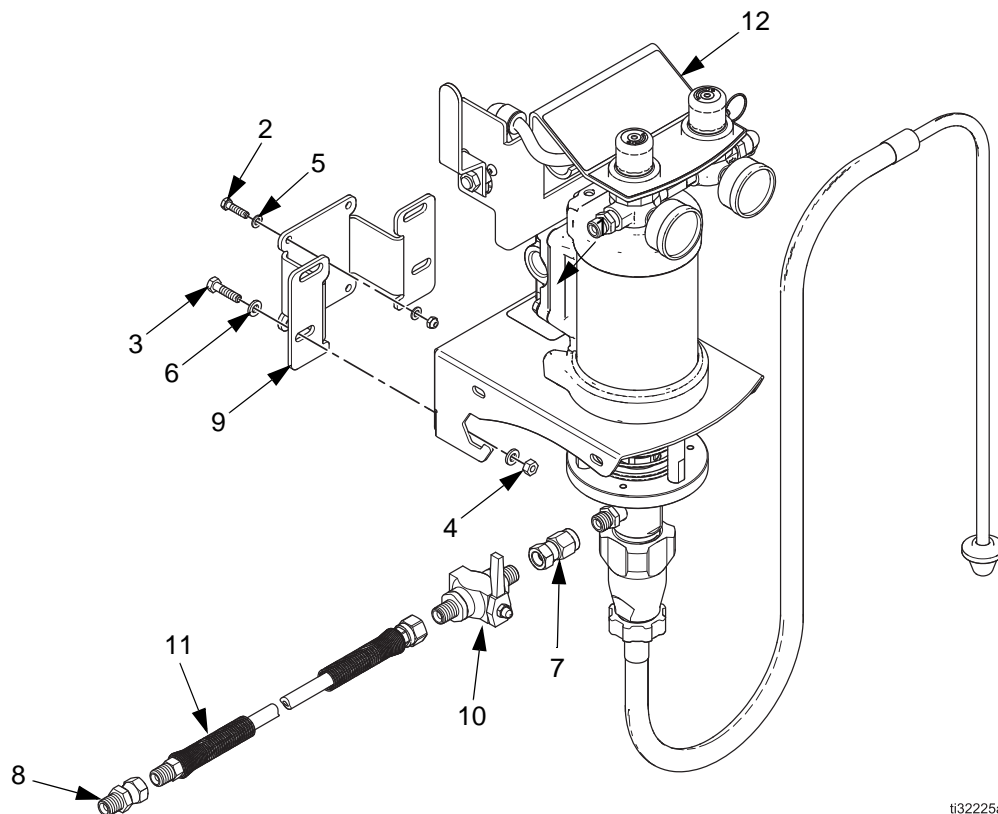
EN



Important Safety Instructions

Read all warnings and instructions in manuals 333309 and 3A0732. Save those instructions.

Ref. No.	Part No.	Description	Qty.	Ref. No.	Part No.	Description	Qty.
1	---	NUT, lock; M5 x 0.8	4	8	156823	FITTING, union; swivel	1
2	110873	SCREW; M5 x 20mm	4	9	17C892	BRACKET, Merkur ES; M2K	1
3	---	SCREW; M6 x 25mm	4	10	214037	VALVE, ball	1
4	---	NUT, hex; M6 x 1.0	4	11	238959	HOSE, coupled; 3/16 in. x 4.5 ft.	1
5	117017	WASHER	8	12	24X311	PUMP, flush; Merkur sprayer, ES, AA, 15:1, CS	1
6	117018	WASHER	8				
7	155570	SWIVEL, union	1				



t132225a

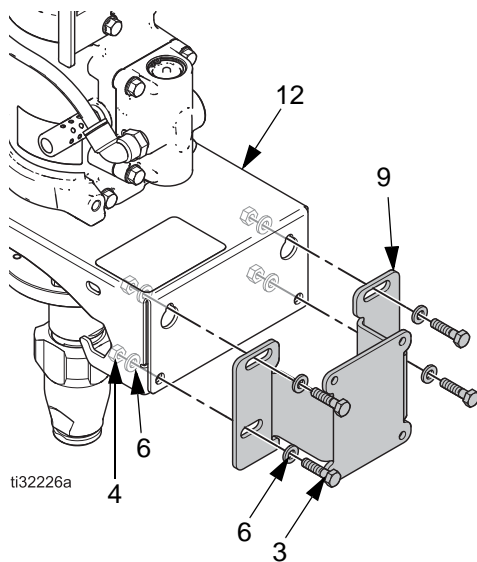
Installation Instructions

1. Install bracket (9) to the M2K cart or to a customer-supplied wall bracket using four screws (2), eight washers (5), and four lock nuts (1).
2. Install pump (12) on bracket (9) using four screws (3), eight washers (6), and four nuts (4).
3. Install fitting (7) on pump outlet.
4. Install ball valve (10) on fitting (7).
5. Connect female end of hose (11) to ball valve (10).
6. Remove plug from solvent inlet port on fluid manifold of M2K unit and install fitting (8). (See manual 333309.)
7. Connect male end of hose (11) to fitting (8).

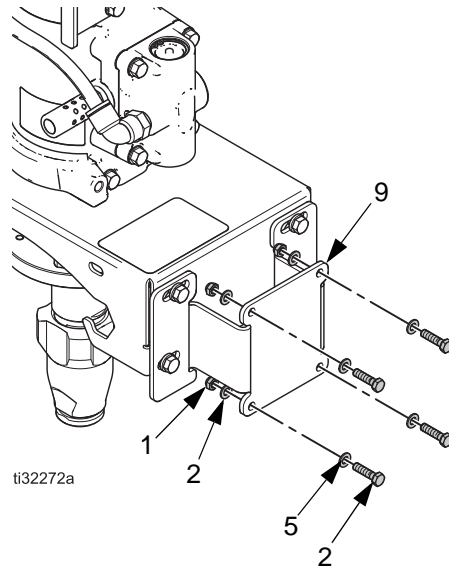
NOTE: Connections in steps 6 and 7 may vary, depending on configuration of fluid manifold.

8. Install air line (100 psi max WPR) to pump air inlet. (Air line not provided.)

Mount Flush Kit Pump onto Bracket



Mount Bracket to M2K Cart or Wall Bracket



Graco Information

For the latest information about Graco products, visit www.graco.com.

For patent information, see www.graco.com/patents.

TO PLACE AN ORDER, contact your Graco distributor or call to identify the nearest distributor.

Phone: 612-623-6921 **or Toll Free:** 1-800-328-0211 **Fax:** 612-378-3505

All written and visual data contained in this document reflects the latest product information available at the time of publication. Graco reserves the right to make changes at any time without notice.

Original instructions. This manual contains English. MM 3A5377

Graco Headquarters: Minneapolis

International Offices: Belgium, China, Japan, Korea

GRACO INC. AND SUBSIDIARIES • P.O. BOX 1441 • MINNEAPOLIS MN 55440-1441 • USA

Copyright 2017, Graco Inc. All Graco manufacturing locations are registered to ISO 9001.

www.graco.com

Revision A, October 2017