

SaniForce™ Air Controls

3A5800D

EN

*Integrated Air Controls for use with Sanitary Supply Systems.
For professional use only.*

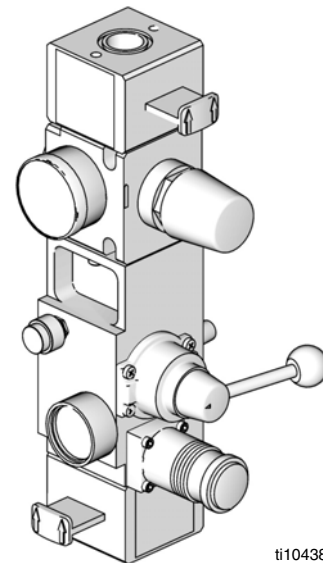


Important Safety Instructions

Read all warnings and instructions in this manual.
Save these instructions.

See page 2 for Model information.

Integrated Air Controls



ti10438a

Contents

Contents	2
Models	3
Integrated Air Controls	4
Pressure Relief Procedure	4
Disassembly	4
Replace Director Valve	5
Replace Air Motor Regulator	5
Replace Ram Air Regulator	6
Reassembly	6
Parts	7
Integrated Air Controls	7
Pneumatic Schematic	8
Integrated Air Control Module 25M879, 25E030 .	8
Integrated Air Control Module 25E650, 25E651 .	9
Graco Standard Warranty	10
Graco Information	10

Models

Air Controls

Model No.	Description	Maximum Regulated Working Pressure psi (MPa, bar)	Air Inlet Size
25M879	Air Controls for SPU 5 gal (20 l) and SDU 55 gal (208 l) Sanitary Supply Systems, Carbon Steel Frame, Static Seal	100 (0.7, 7)	3/4 npt(f)
25E030	Air Controls for SDU 55 gal (208 l) Sanitary Supply Systems, Stainless Steel Frame, Static Seal	100 (0.7, 7)	3/4 npt(f)
25E650	Air Controls for SDU 55 gal (208 l) Sanitary Supply Systems, Stainless Steel Frame, Inflatable Seal	100 (0.7, 7)	3/4 npt(f)
25E651	Air Controls for SDU 55 gal (208 l) Sanitary Supply Systems, Carbon Steel Frame, Inflatable Seal	100 (0.7, 7)	3/4 npt(f)

Integrated Air Controls



Follow the Pressure Relief Procedure whenever you see this symbol.

! WARNING				
<p>PRESSURIZED FLUID HAZARD This equipment stays pressurized until pressure is relieved manually. To help prevent serious injury from moving parts, or from pressurized fluid, such as splashing in the eyes or on skin, follow the Pressure Relief Procedure when you stop pumping and before you clean, check, or service the equipment.</p> <p>PERSONAL PROTECTIVE EQUIPMENT Wear appropriate protective equipment when in the work area to help prevent serious injury, including eye injury or hearing loss.</p>				

Pressure Relief Procedure

1. Close the air motor slider valve (BH) and the main air slider valve (BA).
NOTE: Both are relieving air valves.
2. Set the ram director valve (BD) to DOWN. The ram will slowly drop.
3. Jog the ram director valve (BD) up and down to bleed air from ram cylinder.
4. Open dispense valve or trigger gun to relieve pump output pressure.

Disassembly

! WARNING				
<p>PRESSURIZED FLUID HAZARD This equipment stays pressurized until pressure is relieved manually. To help prevent serious injury from moving parts, or from pressurized fluid, such as splashing in the eyes or on skin, follow the Pressure Relief Procedure when you stop pumping and before you clean, check, or service the equipment.</p>				

1. Perform the pressure relief procedure.
2. Disconnect all hoses and tubing from existing air control.
3. Remove four screws and washers from the mounting bracket and remove the integrated air controls.

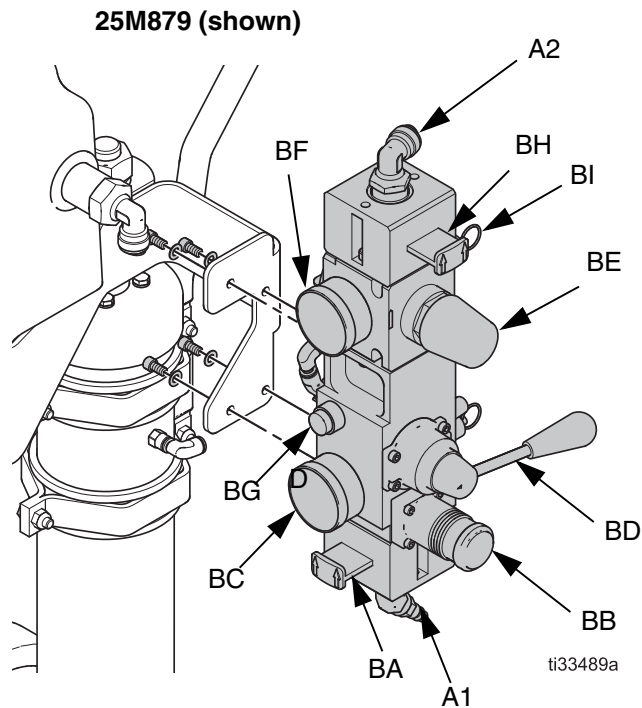


FIG. 1

The integrated air control includes:

- **Source air supply (A1):** facility air supply to power SPU.
- **Air motor drive air (A2):** air supply to drive pump air motor.
- **Main air slider valve (BA):** turns air on and off to the system. When closed, the valve relieves pressure downstream.
- **Ram air regulator (BB):** controls ram up and down pressure and blowoff pressure.
- **Ram air pressure gauge (BC):** displays the air pressure used to raise and lower the ram.
- **Ram director valve (BD):** controls ram direction.
- **Air motor regulator (BE):** controls air pressure to motor.
- **Air motor pressure gauge (BF):** displays the air pressure used to drive the air motor.
- **Blowoff button (BG):** turns air on and off to push the platen out of an empty pail.
- **Air motor slider valve (BH):** turns air on and off to the air motor. When closed, the valve relieves air trapped between it and the air motor. Push the valve in to shutoff.
- **Air motor safety relief valve (BI):** prevents over-pressurization of air motor air supply.

Replace Director Valve

Numbers in parentheses refer to FIG. 2.

1. Disassemble the air control. See **Disassembly**, page 4.
 2. Remove screws (4a) and take off director valve.
 3. Remove spring (4c), valve plate (4d), and o-ring (4b).
- Note the orientation of the director valve plate when you remove it. The opening should be on the opposite side (left) of the lever.
4. Remove and discard pin (4g) and four valve seats (4e) with o-rings (4f).
 5. Insert new valve seats (4e) with o-rings (4f) and new pin.
 6. Insert new director valve plate (4d, see Note above) spring (4c), and o-ring (4b).

7. Attach new director valve with screws (4a). Tighten screws until snug.

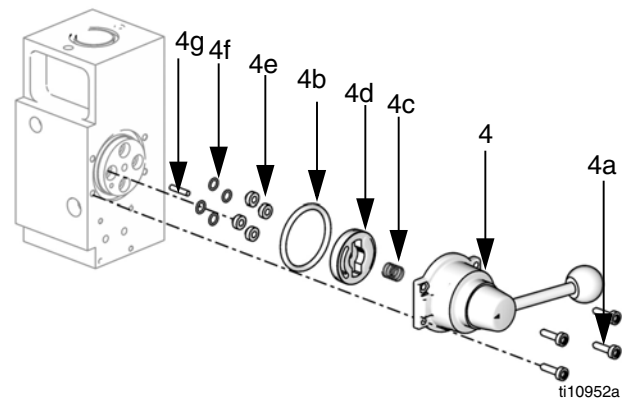


FIG. 2

Replace Air Motor Regulator

Numbers in parentheses refer to **Parts**, page 7.

1. Disassemble the air control. See **Disassembly**, page 4.
2. Disconnect air motor hosing and fittings.
3. Remove two screws (9a) and take off the shutoff valve (3) at top of module. If your supply system has an air solenoid, it can remain attached to the shutoff valve.
4. Remove two screws (9b) and take off the air motor regulator (6).
5. Attach new regulator to manifold. Orient so the gauge lines up with the gauge on the ram air regulator and the direction of flow arrow points up. Tighten screws until snug. Recommend using thread locker Loctite 220 or equivalent.
6. Reattach shutoff valve (3) at top of regulator. Make sure that o-ring (5) is in place on valve (3).

Replace Ram Air Regulator

Numbers in parentheses refer to **Parts**, page 7.

1. Disassemble the air control. See **Disassembly**, page 4.
2. Remove four screws (7a) and take off the ram air regulator (7).
3. Replace o-rings (7b) on back side of regulator.
4. Attach new air regulator to manifold. Use index pin for correct orientation. Tighten screws until snug.

Reassembly

1. Using four screws and washers, attach the integrated air controls to the mounting bracket. See FIG. 1.
2. Attach the ram up, ram down, and blowoff air lines as shown in Figure FIG. 3.

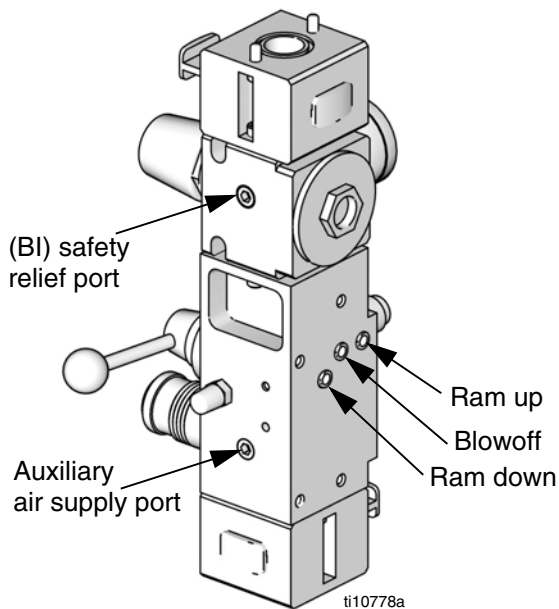


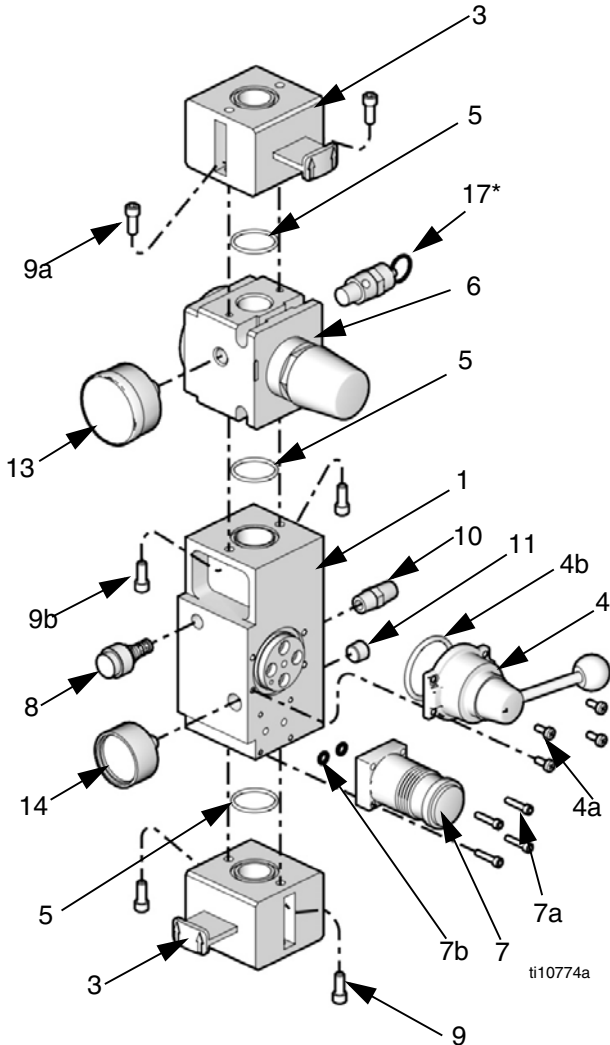
FIG. 3

3. Attach all other hoses and replace shrouds.
4. If replacing entire control assembly, install the safety relief valve (BI) from previous control assembly.

Parts

Integrated Air Controls

Models 25M879, 25E030, 25E650, 25E651



* Ref 17 must be ordered separately, based on working pressure for installed pump, or re-used from existing control (if it is being replaced).

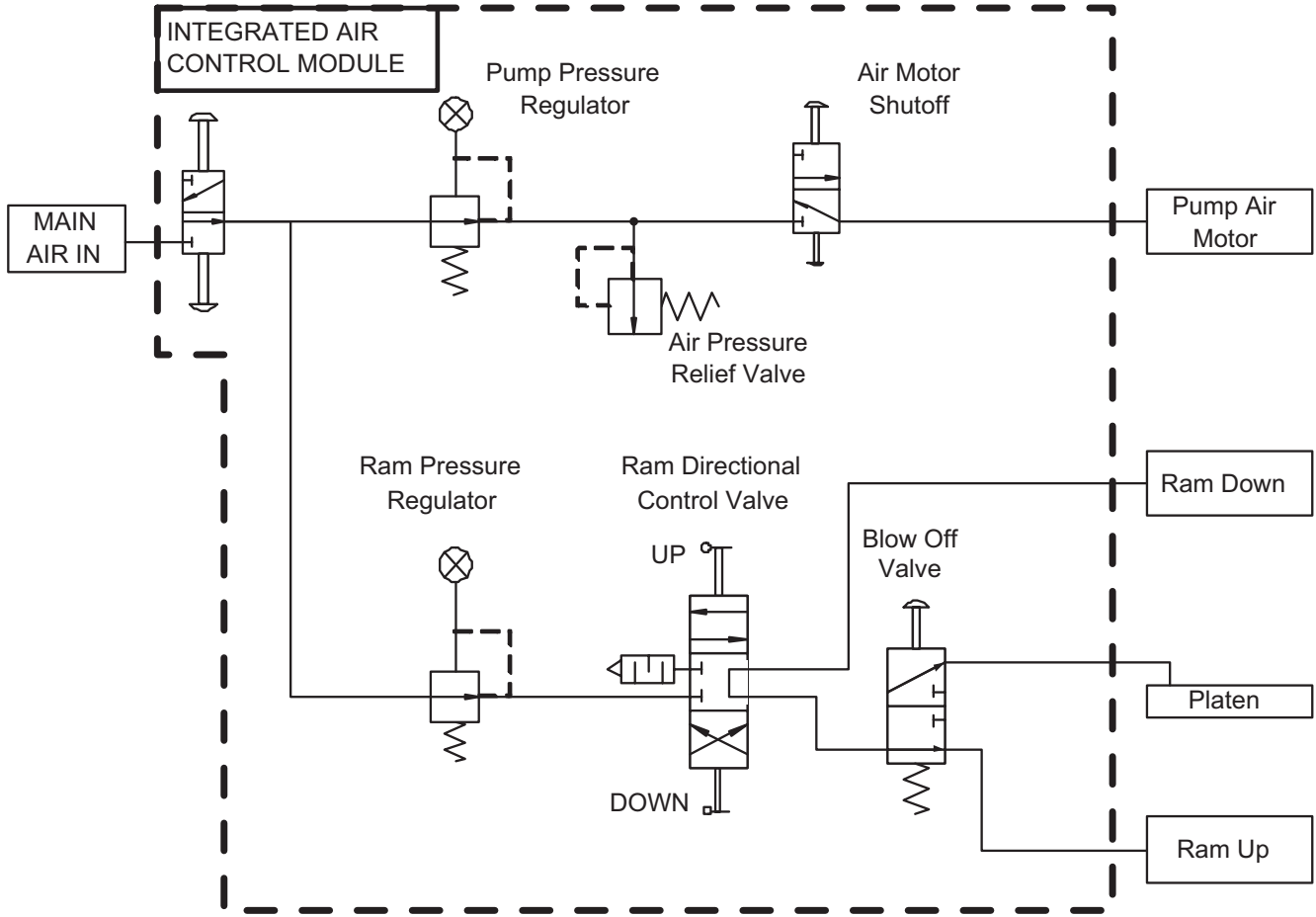
Ref.	Part	Description	Qty
1	---	MANIFOLD	1
3†	16Y167	VALVE, shutoff, modular, 3/4 npt	2
4		VALVE, director (includes 4a and 4b, plus all parts shown in FIG. 2)	1
	121107	models 25M879, 25E030	
	16Y157	models 25E650, 25E651	
4a	---	SCREW	4
4b	---	O-RING	1
5†	121110	O-RING, buna	3
6	255651	REGULATOR, air motor (includes regulator, o-ring, and screws)	1
7		REGULATOR, ram (includes 7a and 7b)	1
	121106	models 25M879, 25E651	
	17W740	models 25E030, 25E650	
7a	---	SCREWS	4
7b	---	O-RING	2
8	121109	VALVE, blowoff (includes valve and push button)	1
9†	121112	SCREW, cap, socket head 1/4-20 x 5/8	6
10	517449	MUFFLER	1
11	100721	PLUG, pipe, auxiliary air supply	1
13	C36260	GAUGE, air pressure, 0-160 psi (0-1.1 MPa, 0-11 bar)	1
14		GAUGE, air pressure,	1
	C36260	0-160 psi, models 25M879, 25E651	
	17W903	0-60 psi, models 25E030, 25E650	
15	113318	FITTING, elbow, plug-in (not shown, 25M879 only)	2
16†	15V954	LABEL, valve, shutoff, air control (not shown)	1
▲			
17*		VALVE, Air motor safety relief	1
	120306	85 psi	
	103347	100 psi	
	114003	130 psi	

† Parts are available in kit 121108.

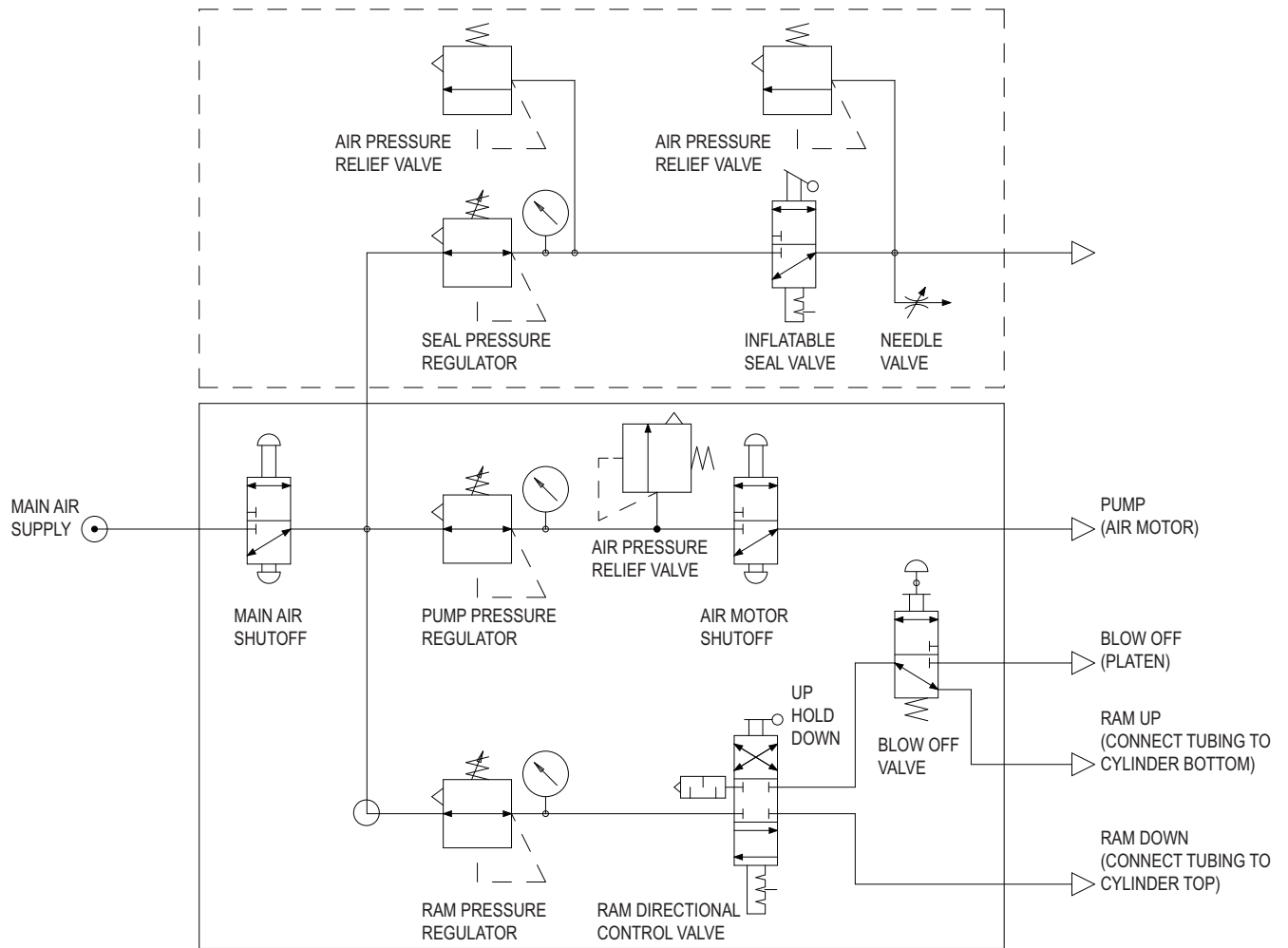
▲ Replacement warning labels, signs, tags, and cards are available at no cost.

Pneumatic Schematic

Integrated Air Control Module 25M879, 25E030



Integrated Air Control Module 25E650, 25E651



Graco Standard Warranty

Graco warrants all equipment referenced in this document which is manufactured by Graco and bearing its name to be free from defects in material and workmanship on the date of sale to the original purchaser for use. With the exception of any special, extended, or limited warranty published by Graco, Graco will, for a period of twelve months from the date of sale, repair or replace any part of the equipment determined by Graco to be defective. This warranty applies only when the equipment is installed, operated and maintained in accordance with Graco's written recommendations.

This warranty does not cover, and Graco shall not be liable for general wear and tear, or any malfunction, damage or wear caused by faulty installation, misapplication, abrasion, corrosion, inadequate or improper maintenance, negligence, accident, tampering, or substitution of non-Graco component parts. Nor shall Graco be liable for malfunction, damage or wear caused by the incompatibility of Graco equipment with structures, accessories, equipment or materials not supplied by Graco, or the improper design, manufacture, installation, operation or maintenance of structures, accessories, equipment or materials not supplied by Graco.

This warranty is conditioned upon the prepaid return of the equipment claimed to be defective to an authorized Graco distributor for verification of the claimed defect. If the claimed defect is verified, Graco will repair or replace free of charge any defective parts. The equipment will be returned to the original purchaser transportation prepaid. If inspection of the equipment does not disclose any defect in material or workmanship, repairs will be made at a reasonable charge, which charges may include the costs of parts, labor, and transportation.

THIS WARRANTY IS EXCLUSIVE, AND IS IN LIEU OF ANY OTHER WARRANTIES, EXPRESS OR IMPLIED, INCLUDING BUT NOT LIMITED TO WARRANTY OF MERCHANTABILITY OR WARRANTY OF FITNESS FOR A PARTICULAR PURPOSE.

Graco's sole obligation and buyer's sole remedy for any breach of warranty shall be as set forth above. The buyer agrees that no other remedy (including, but not limited to, incidental or consequential damages for lost profits, lost sales, injury to person or property, or any other incidental or consequential loss) shall be available. Any action for breach of warranty must be brought within two (2) years of the date of sale.

GRACO MAKES NO WARRANTY, AND DISCLAIMS ALL IMPLIED WARRANTIES OF MERCHANTABILITY AND FITNESS FOR A PARTICULAR PURPOSE, IN CONNECTION WITH ACCESSORIES, EQUIPMENT, MATERIALS OR COMPONENTS SOLD BUT NOT MANUFACTURED BY GRACO. These items sold, but not manufactured by Graco (such as electric motors, switches, hose, etc.), are subject to the warranty, if any, of their manufacturer. Graco will provide purchaser with reasonable assistance in making any claim for breach of these warranties.

In no event will Graco be liable for indirect, incidental, special or consequential damages resulting from Graco supplying equipment hereunder, or the furnishing, performance, or use of any products or other goods sold hereto, whether due to a breach of contract, breach of warranty, the negligence of Graco, or otherwise.

FOR GRACO CANADA CUSTOMERS

The Parties acknowledge that they have required that the present document, as well as all documents, notices and legal proceedings entered into, given or instituted pursuant hereto or relating directly or indirectly hereto, be drawn up in English. Les parties reconnaissent avoir convenu que la rédaction du présente document sera en Anglais, ainsi que tous documents, avis et procédures judiciaires exécutés, donnés ou intentés, à la suite de ou en rapport, directement ou indirectement, avec les procédures concernées.

Graco Information

For the latest information about Graco products, visit www.graco.com.

TO PLACE AN ORDER, contact your Graco distributor or call to identify the nearest distributor.

Phone: 612-623-6921 **or Toll Free:** 1-800-328-0211 **Fax:** 612-378-3505

*All written and visual data contained in this document reflects the latest product information available at the time of publication.
Graco reserves the right to make changes at any time without notice.*

For patent information, see www.graco.com/patents.

Original instructions. This manual contains English. MM 3A5800

Graco Headquarters: Minneapolis
International Offices: Belgium, China, Japan, Korea

GRACO INC. AND SUBSIDIARIES • P.O. BOX 1441 • MINNEAPOLIS MN 55440-1441 • USA
Copyright 2018, Graco Inc. All Graco manufacturing locations are registered to ISO 9001.

www.graco.com

Revision D, February 2020