

Instructions

GREASE JOCKEY

Right Front Module Kit #25C859



Important Safety Instructions

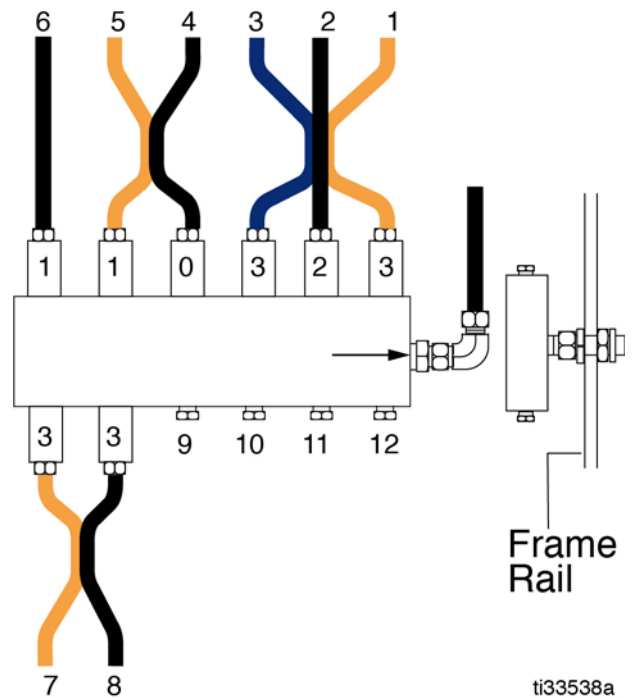
Read all warnings and instructions in this manual. Save these instructions.

3A5816A

EN

Typical Layout

Point No.	Description	Meter Size	Tube Color	Bundle & Marking
1	KING PIN, UPPER	3	Orange	3-Tube Bundle
2	TIE ROD END	2	Black	
3	KING PIN, LOWER	3	Blue	
4	S-CAM TUBE	0	Black	2--Tube Bundle, "2"
5	SLACK ADJUSTER	1	Orange	
6	SPRING PIN, FRONT	3	Black	Single Tube
7	SPRING PIN, REAR	3	Orange	2-Tube Bundle, "1"
8	SPRING PIN, REAR	3	Black	
9	PLUG			
10	PLUG			
11	PLUG			
12	PLUG			



ti33538a

Graco Information

For the latest information about Graco products, visit www.graco.com.

For patent information, see www.graco.com/patents.

TO PLACE AN ORDER, contact your Graco distributor or call to identify the nearest distributor.

Phone: 612-623-6928 **or Toll Free:** 1-800-533-9655, **Fax:** 612-378-3590

*All written and visual data contained in this document reflects the latest product information available at the time of publication.
Graco reserves the right to make changes at any time without notice.*

Original instructions. This manual contains English. MM3A5816

Graco Headquarters: Minneapolis

International Offices: Belgium, China, Japan, Korea

GRACO INC. AND SUBSIDIARIES • P.O. BOX 1441 • MINNEAPOLIS MN 55440-1441 • USA
Copyright 2018, Graco Inc. All Graco manufacturing locations are registered to ISO 9001.

www.graco.com
Revision A, March 2018