

# Compact Dyna-Star® Pump Cable

3A7035B

EN

*For connecting the components on a Compact Dyna-Star Pump system.  
For professional use only.*

## Part No.

**25P947** - motor, vent valve, pressure switch/transducer and low level switch/transducer

**25P948** - motor, vent valve, pressure switch/transducer

**25R560** - motor, vent valve, and low level switch/transducer

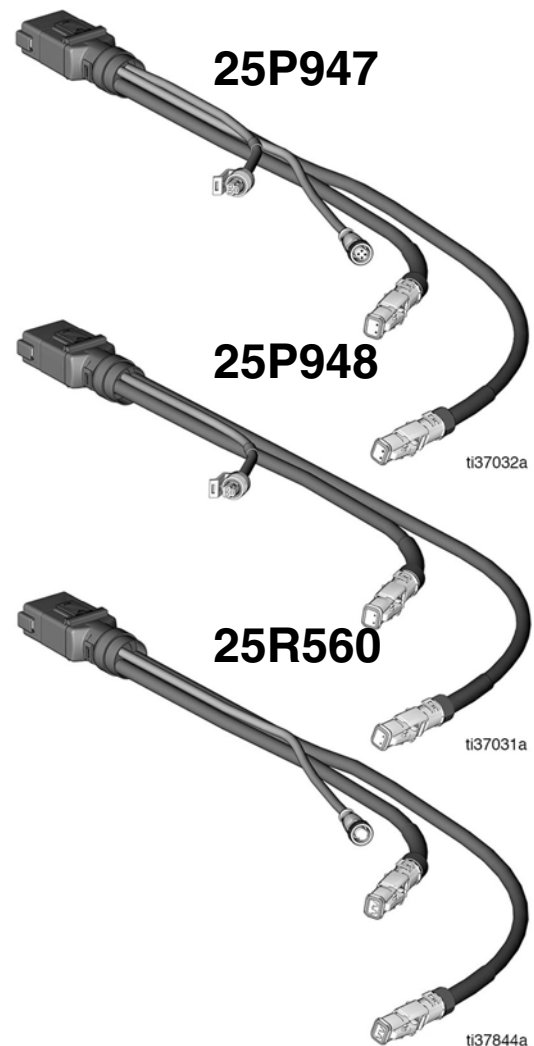


## Important Safety Instructions

For complete warnings and instructions refer to the Compact Dyna-Star Electric Pump instruction manual.

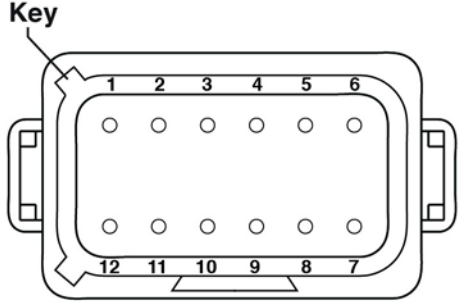
## Related Manuals

3A6941 - Compact Dyna-Star Electric Pump Manual  
3A6998 - Compact Dyna-Star Electric Pump 35 lb.  
(5 Gallon) Pail Kit



# Diagrams

## Connector Identification (looking at the Pin)

Connector	Pin-out 25E188	Pin-out 25P645	Pin-out 25R560																																																																														
	<table border="1"> <thead> <tr> <th>PIN</th> <th>PIN Name</th> </tr> </thead> <tbody> <tr><td>1</td><td>Vs Level (+)</td></tr> <tr><td>2</td><td>GND Level</td></tr> <tr><td>3</td><td>Level Out</td></tr> <tr><td>4</td><td>Vs Motor (+)</td></tr> <tr><td>5</td><td>GND Motor (-)</td></tr> <tr><td>6</td><td>GND Pressure</td></tr> <tr><td>7</td><td>Vs Pressure</td></tr> <tr><td>8</td><td>Pressure Out</td></tr> <tr><td>9</td><td>Vs Vent (+)</td></tr> <tr><td>10</td><td>GND Vent (-)</td></tr> <tr><td>11</td><td>---</td></tr> <tr><td>12</td><td>---</td></tr> </tbody> </table>	PIN	PIN Name	1	Vs Level (+)	2	GND Level	3	Level Out	4	Vs Motor (+)	5	GND Motor (-)	6	GND Pressure	7	Vs Pressure	8	Pressure Out	9	Vs Vent (+)	10	GND Vent (-)	11	---	12	---	<table border="1"> <thead> <tr> <th>PIN</th> <th>PIN Name</th> </tr> </thead> <tbody> <tr><td>1</td><td>NOT USED</td></tr> <tr><td>2</td><td>NOT USED</td></tr> <tr><td>3</td><td>NOT USED</td></tr> <tr><td>4</td><td>Vs Motor (+)</td></tr> <tr><td>5</td><td>GND Motor (-)</td></tr> <tr><td>6</td><td>GND Pressure</td></tr> <tr><td>7</td><td>Vs Pressure</td></tr> <tr><td>8</td><td>Pressure Out</td></tr> <tr><td>9</td><td>Vs Vent (+)</td></tr> <tr><td>10</td><td>GND Vent (-)</td></tr> <tr><td>11</td><td>---</td></tr> <tr><td>12</td><td>---</td></tr> </tbody> </table>	PIN	PIN Name	1	NOT USED	2	NOT USED	3	NOT USED	4	Vs Motor (+)	5	GND Motor (-)	6	GND Pressure	7	Vs Pressure	8	Pressure Out	9	Vs Vent (+)	10	GND Vent (-)	11	---	12	---	<table border="1"> <thead> <tr> <th>PIN</th> <th>PIN Name</th> </tr> </thead> <tbody> <tr><td>1</td><td>Vs Level (+)</td></tr> <tr><td>2</td><td>GND Level</td></tr> <tr><td>3</td><td>Level Out</td></tr> <tr><td>4</td><td>Vs Motor (+)</td></tr> <tr><td>5</td><td>GND Motor (-)</td></tr> <tr><td>6</td><td>---</td></tr> <tr><td>7</td><td>---</td></tr> <tr><td>8</td><td>---</td></tr> <tr><td>9</td><td>Vs Vent (+)</td></tr> <tr><td>10</td><td>GND Vent (-)</td></tr> <tr><td>11</td><td>---</td></tr> <tr><td>12</td><td>---</td></tr> </tbody> </table>	PIN	PIN Name	1	Vs Level (+)	2	GND Level	3	Level Out	4	Vs Motor (+)	5	GND Motor (-)	6	---	7	---	8	---	9	Vs Vent (+)	10	GND Vent (-)	11	---	12	---
	PIN	PIN Name																																																																															
	1	Vs Level (+)																																																																															
	2	GND Level																																																																															
	3	Level Out																																																																															
	4	Vs Motor (+)																																																																															
	5	GND Motor (-)																																																																															
	6	GND Pressure																																																																															
	7	Vs Pressure																																																																															
	8	Pressure Out																																																																															
	9	Vs Vent (+)																																																																															
	10	GND Vent (-)																																																																															
11	---																																																																																
12	---																																																																																
PIN	PIN Name																																																																																
1	NOT USED																																																																																
2	NOT USED																																																																																
3	NOT USED																																																																																
4	Vs Motor (+)																																																																																
5	GND Motor (-)																																																																																
6	GND Pressure																																																																																
7	Vs Pressure																																																																																
8	Pressure Out																																																																																
9	Vs Vent (+)																																																																																
10	GND Vent (-)																																																																																
11	---																																																																																
12	---																																																																																
PIN	PIN Name																																																																																
1	Vs Level (+)																																																																																
2	GND Level																																																																																
3	Level Out																																																																																
4	Vs Motor (+)																																																																																
5	GND Motor (-)																																																																																
6	---																																																																																
7	---																																																																																
8	---																																																																																
9	Vs Vent (+)																																																																																
10	GND Vent (-)																																																																																
11	---																																																																																
12	---																																																																																

t37037b

FIG. 1: Connector

## California Proposition 65

### CALIFORNIA RESIDENTS

 **WARNING:** Cancer and reproductive harm – [www.P65warnings.ca.gov](http://www.P65warnings.ca.gov).

## Graco Information

For the latest information about Graco products, visit [www.graco.com](http://www.graco.com).

For patent information, see [www.graco.com/patents](http://www.graco.com/patents).

**TO PLACE AN ORDER**, contact your Graco distributor or call to identify the nearest distributor

**Phone:** 612-623-6928 or **Toll Free:** 1-800-533-9655, **Fax:** 612-378-3590

*All written and visual data contained in this document reflects the latest product information available at the time of publication. Graco reserves the right to make changes at any time without notice.*

Original instructions. This manual contains English. MM 3A7035

**Graco Headquarters:** Minneapolis

**International Offices:** Belgium, China, Japan, Korea

**GRACO INC. AND SUBSIDIARIES • P.O. BOX 1441 • MINNEAPOLIS MN 55440-1441 • USA**  
**Copyright 2019, Graco Inc. All Graco manufacturing locations are registered to ISO 9001.**

[www.graco.com](http://www.graco.com)  
 Revision B, April 2020