

GENUINE GRACO PARTS AND ACCESSORIES



Diaphragm Repair Kits

For Back Pressure Regulator



Important Safety Instructions
Read all warnings and instructions in manual
311595. Save those instructions.

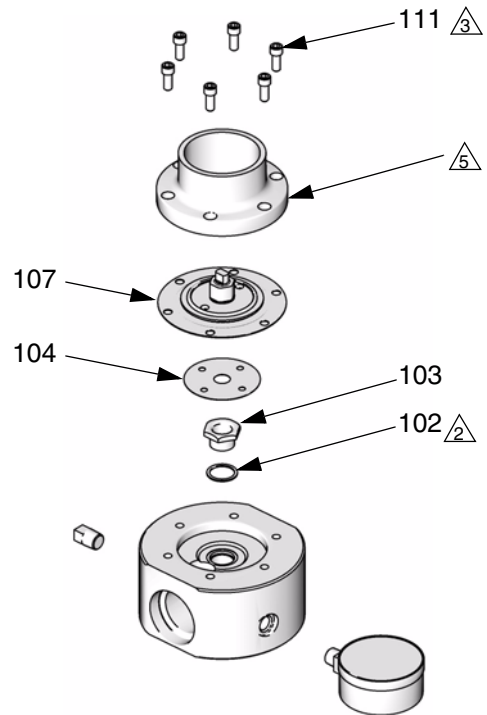
406639A

**15J820 Repair Kit, with Standard
Stainless Steel Seat**

**15J821 Repair Kit, with High Flow
Stainless Steel Seat**

15J822 Repair Kit, with Carbide Seat

Ref. No.	Description	Qty
102*	GASKET	1
103*	SEAT, regulator	1
104*	GASKET	1
107*	DIAPHRAGM ASSEMBLY	1
111*	SCREW, cap, socket-hd	6



- △₂ Torque to 15-20 ft-lb (21-27 N•m).
- △₃ Torque to 120-130 in-lb (13.6-14.7 N•m) oppositely and in sequence, three times.
- △₅ Apply thread lubricant.

T18555A

Graco Inc. P.O. Box 1441 Minneapolis, MN 55440-1441
406639 Rev. A 1/2007 Printed in USA
Copyright 2007, Graco Inc. is registered to I.S. EN ISO 9001