

GENUINE GRACO PARTS AND ACCESSORIES



255691 Platen Covers Kit

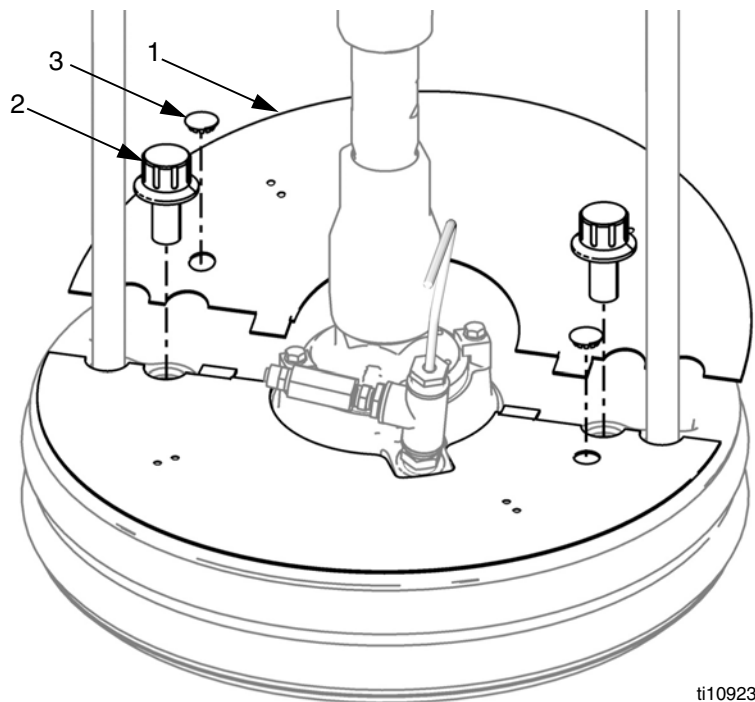
406681D
ENG



Important Safety Instructions

Read all warnings and instructions in you supply system manual. Save all instructions.

Ref.	Description	Qty.
1	COVER, platen, assembly	2
2	FASTENER	2
3	PLUG	2



ti10923b

1. Align and install front cover.
2. Interlock tabs on rear cover
3. Press down on covers to install.
4. Use fasteners to hold down center of plate (hand-tighten only)

Graco Inc. P.O. Box 1441 Minneapolis, MN 55440-1441

406681 Rev. D 10/2009

Copyright 2007 Graco Inc. is registered to ISO 9001