

# XM Hopper Installation Kits

406699E

EN

**7 and 10 gallon hoppers for gravity feeding material to XM plural component sprayers.**



### Important Safety Instructions

Read all warnings and instructions in this manual before using the equipment.  
Save these instructions.

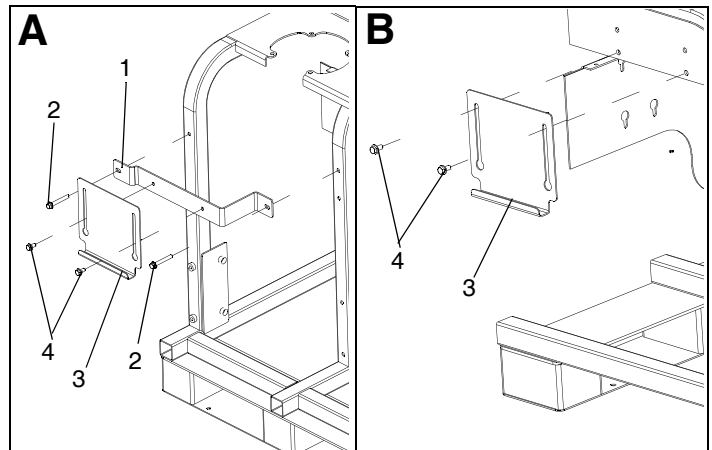
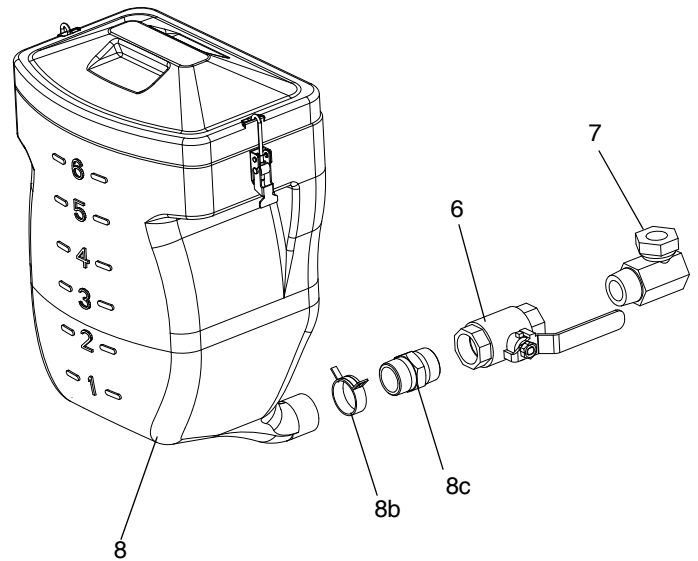
### Kit 256260, 7 Gallon Green Hopper Kit 24N011, 7 Gallon Blue Hopper

Ref.	Part	Description	Qty.
1†	256252	BRACKET, hopper, back-mount, upper	1
2	121488	SCREW, hex hd, flanged	2
3	256251	BRACKET, hopper, 7 gallon	1
4	112395	SCREW, cap, flange hd	2
5	122198	VALVE, ball	1
6	112580	SWIVEL, union, 90°	1
7	234097	HOPPER, fluid, green (256260 only)	1
8	234017	HOPPER, fluid, blue (24N011 only)	1
8b	124450	CLAMP	1
8c	C20490	FITTING	1

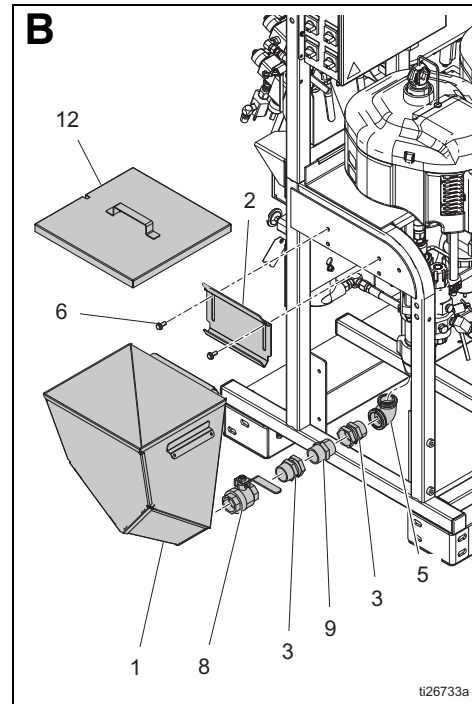
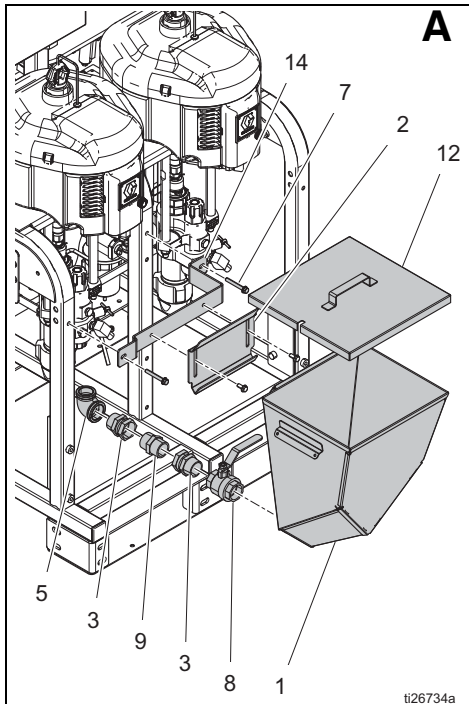
† Only used to mount hopper (8) on back of frame.

**A** Parts for back mounted hoppers.

**B** Parts for side mounted hoppers.



## 24Y390, 10 Gallon Stainless Steel Hopper Kit



Ref.	Part	Description	Qty.
1	17E114	HOPPER, weldment	1
2	17G707	BRACKET, hopper, xm	1
3	113864	UNION, swivel, 1 1/2 npt	2
5	126939	FITTING, elbow, 90°, female, reducing	1
6	112395	SCREW, cap, flange hd	2
7	121488	SCREW, hex hd, flanged	2
8	121440	VALVE, ball, 1 1/2npt	1
9	121441	FITTING, nipple, hex, 1 1/2npt	1
12	17H067	COVER, hopper, weldment	1
13	15R424	LABEL, A-B identification (not shown)	1
14†	256252	BRACKET, hopper, back mount, upper, painted	1

† Only used in back mounted configuration.

**A** Back mounted configuration.

**B** Side mounted configuration.

All written and visual data contained in this document reflects the latest product information available at the time of publication. Graco reserves the right to make changes at any time without notice.

Original instructions. This manual contains English. MM 406699

**Graco Headquarters:** Minneapolis

**International Offices:** Belgium, China, Japan, Korea

**GRACO INC. AND SUBSIDIARIES • P.O. BOX 1441 • MINNEAPOLIS MN 55440-1441 • USA**  
**Copyright 2019, Graco Inc. All Graco manufacturing locations are registered to ISO 9001.**

www.graco.com  
 Revision E, July 2019