

GENUINE GRACO PARTS AND ACCESSORIES



# 247880 Gun Fitting Kit

Stainless Steel Fittings For Hydra-Clean<sup>®</sup> Spray Gun

406701B



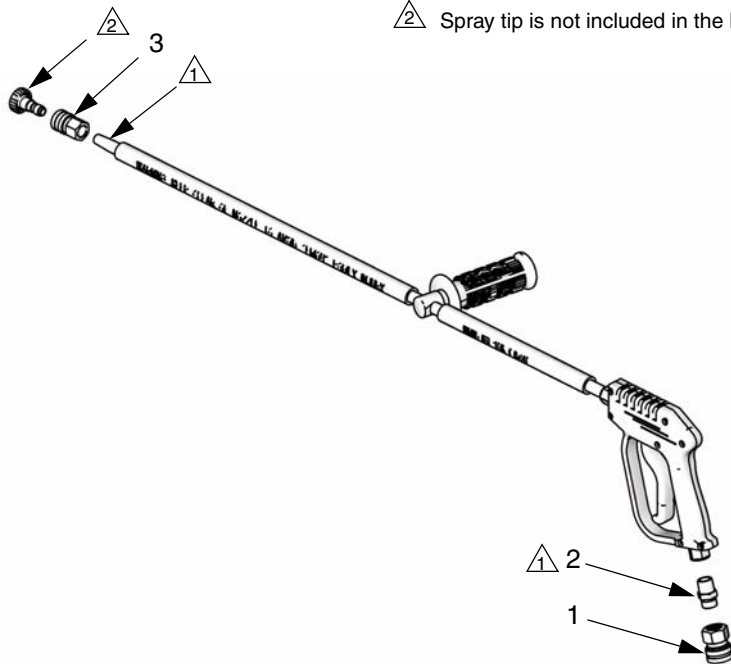
### Important Safety Instructions

Read all warnings and instructions in manuals 312585 and 308511. Save those instructions.

⚠️ Apply thread sealant.

⚠️ Spray tip is not included in the kit.

Ref.	Description	Qty.
1	FITTING; 3/8 npt(f) x 3/8 quick-disconnect; sst	1
2	NIPPLE; 3/8 npt x 3/8 npt; sst	1
3	COUPLER; 1/4 npt(f) x 1/4 quick-disconnect; sst	1



TI11521A

Graco Inc. P.O. Box 1441 Minneapolis, MN 55440-1441

406701 Rev B, 6/2008

Copyright 2008, Graco Inc. is registered to I.S. EN ISO 9001