

Fluid Manifold Rebuild Kits

406711C

For ProMix® 2KS Proportioners

EN



Important Safety Instructions

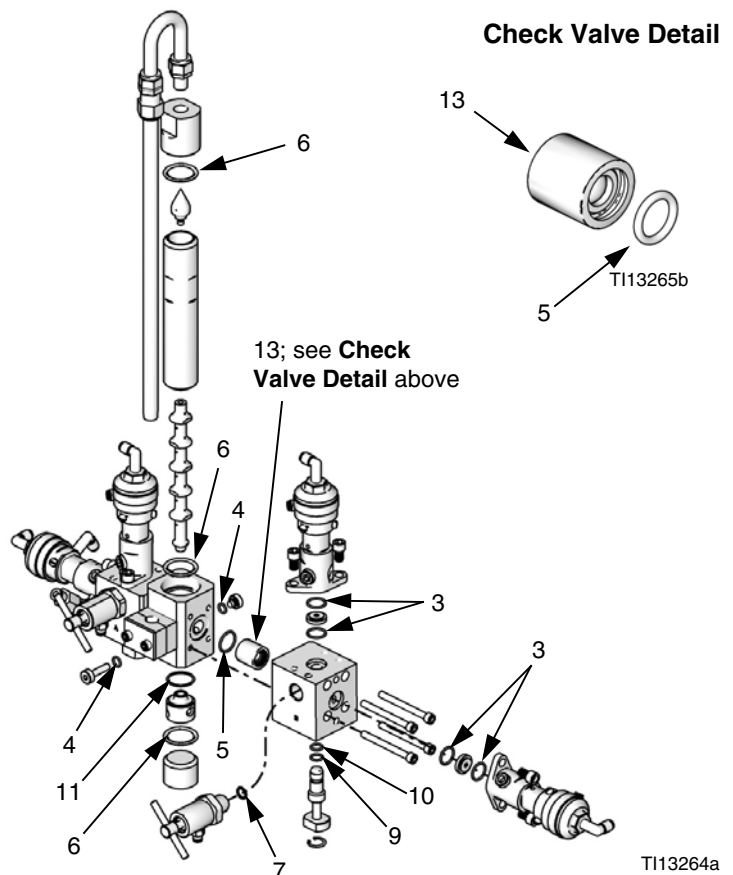
Read all warnings and instructions in manual 312781. Save those instructions.

15U931

| Ref. | Description | Qty. |
|------|-------------------------------|------|
| 3 | O-RING, dispense valve seat | 8 |
| 4 | O-RING, screw seal | 2 |
| 5 | O-RING, check valve housing | 2 |
| 6 | O-RING, integrator housing | 3 |
| 7 | O-RING, pressure bleed valve | 2 |
| 9 | O-RING, backup, shutoff valve | 2 |
| 10 | O-RING, shutoff valve | 2 |
| 11 | O-RING, integrator base | 1 |
| 13 | VALVE, check | 2 |

26A170

| Ref. | Description | Qty. |
|------|-------------------------------------|------|
| 3 | O-RING, dispense valve seat, ptfe | 8 |
| 4 | O-RING, screw seal, tfe | 2 |
| 5 | O-RING, check valve housing, ptfe | 2 |
| 6 | O-RING, integrator housing, ptfe | 3 |
| 7 | O-RING, pressure bleed valve | 2 |
| 9 | O-RING, backup, shutoff valve, ptfe | 2 |
| 10 | O-RING, shutoff valve, pfe | 2 |
| 11 | O-RING, integrator base, ptfe | 1 |
| 13 | VALVE, check, acid | 2 |



Graco Inc. P.O. Box 1441 Minneapolis, MN 55440-1441

Original instructions. This manual contains English. MM 406711

Copyright 2010, Graco Inc. is registered to ISO 9001

Revision C, 2018-12