

GENUINE GRACO PARTS AND ACCESSORIES

# 15U932 Dispense Valve Carbide Seat Kit



For ProMix<sup>®</sup> 2KS Proportioners

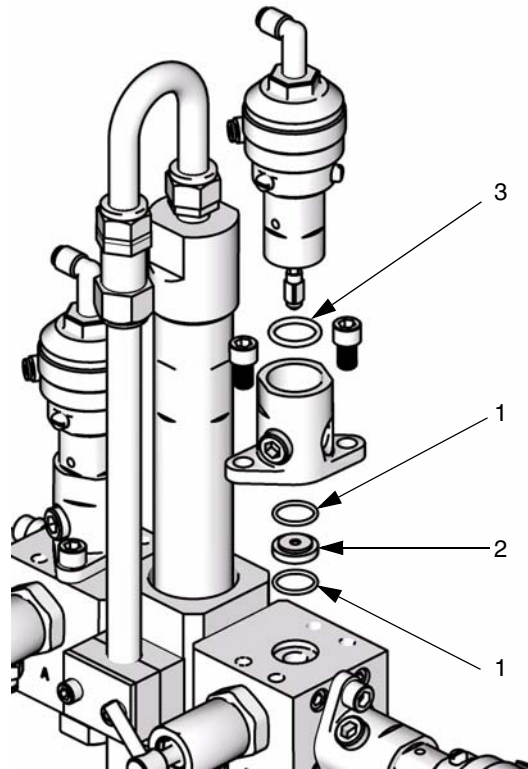
406712A



### Important Safety Instructions

Read all warnings and instructions in manual 312781. Save those instructions.

Ref.	Description	Qty.
1	O-RING, dispense valve seat	2
2	SEAT, carbide	1
3	O-RING, dispense valve	1



TI13267a

Graco Inc. P.O. Box 1441 Minneapolis, MN 55440-1441

406712 Rev, A 12/2008

Copyright 2008, Graco Inc. is registered to I.S. EN ISO 9001

HO03