

GENUINE GRACO PARTS AND ACCESSORIES

15V536 Solvent Flow Switch Kit

For ProMix[®] 2KS Electronic Proportioners



406720A

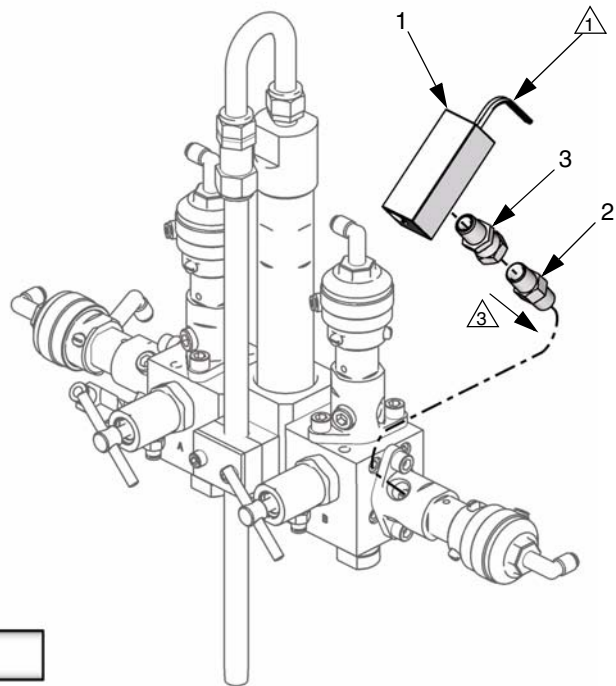


Important Safety Instructions

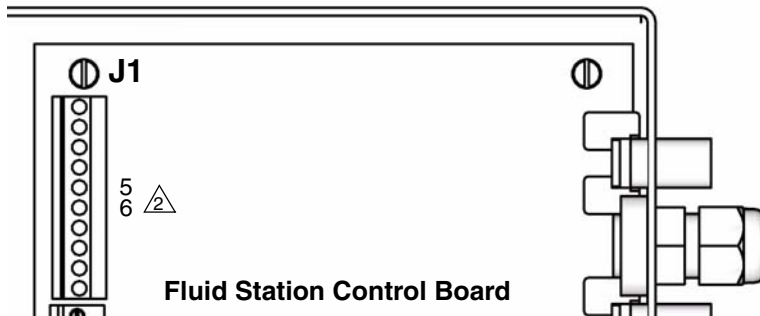
Read all warnings and instructions in your ProMix 2KS Repair-Parts manual. Save those instructions.

Ref.	Description	Qty.
1	SWITCH, solvent flow	1
2	VALVE, check	1
3	UNION, swivel; 1/4 npt(m) x 1/4 npsm(f)	1

- ① Mount switch with wires at top.
- ② Connect switch wires to terminals 5 and 6 at J1 of Fluid Station Control Board.
- ③ Ensure that check valve direction is as indicated by arrow.



T113348a



T113347a

Graco Inc. P.O. Box 1441 Minneapolis, MN 55440-1441

406720 Rev, A 4/2009

Copyright 2009, Graco Inc. is registered to ISO 9001