

GENUINE GRACO PARTS AND ACCESSORIES

# 16A611 Low Pressure Valve Needle Kit

For ProMix<sup>®</sup> 2KS Proportioners



406822A

ENG

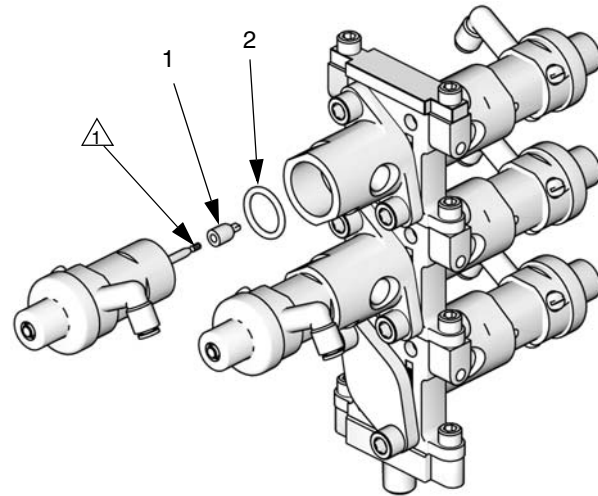


### Important Safety Instructions

Read all warnings and instructions in manual 312782. Save those instructions.

⚠ Apply adhesive (3) to needle shaft before installing ball assembly (1).

Ref.	Description	Qty.
1	BALL ASSEMBLY, needle	1
2	O-RING, dispense valve	1
3	ADHESIVE, anaerobic	1



T114446a

Graco Inc. P.O. Bo101441 Minneapolis, MN 55440-1441

406822 Rev, A 02/2010

Original instructions. This manual contains English.

Copyright 2010, Graco Inc. is registered to ISO 9001