

# Valve Seat Kits

406823C

For ProMix<sup>®</sup> 2KS Dump Valves and ProMix 2KE

EN



**Important Safety Instructions**  
Read all warnings and instructions in manual 312786. Save those instructions.

## 16A560 SST Seat Kit

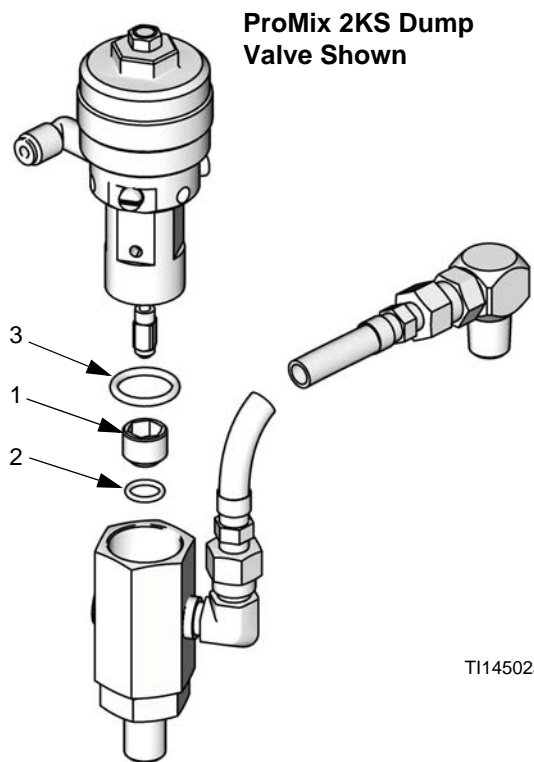
Ref.	Description	Qty.
1	SEAT; sst	1
2	O-RING, seat	1
3	O-RING, dispense valve	1

## 24U054 Carbide Seat Kit

Ref.	Description	Qty.
1	SEAT; carbide	1
2	O-RING, seat	1
3	O-RING, dispense valve	1

## 26A035 Peek Seat Kit

Ref.	Description	Qty.
1	SEAT; peek	1
2	O-RING, seat	1
3	O-RING, dispense valve	1



T114502a

Graco Inc. P.O. Box 1441 Minneapolis, MN 55440-1441

Original instructions. This manual contains English. MM 406823

Copyright 2010, Graco Inc. is registered to ISO 9001

Revision C, October 2016