



Reed Switch and Solenoid Kits

Husky[®] 1050 and Husky[®] 15120 Diaphragm Pumps
Endura-Flo[™] 3D150, 3D350, 4D150, and 4D350 Diaphragm Pumps

406825J
EN



Important Safety Instructions

Read all warnings and instructions in the Husky[®] 1050, Husky[®] 15120, or Endura-Flo[™] Diaphragm Pump Repair/Parts manual. Save all instructions.

Kit 24B771

For Husky pumps with a polypropylene or conductive polypropylene center section and air valve.

Ref.	Description	Qty.
101	REED SWITCH/SOLENOID ASSEMBLY	1
102	SCREW, reed switch, 10-14 x 1/2 plastite	1
103	BRACKET, solenoid	1
104	FASTENER, solenoid, M6 hex nut	2

Kit 24B772

For Husky pumps with an aluminum center section and air valve.

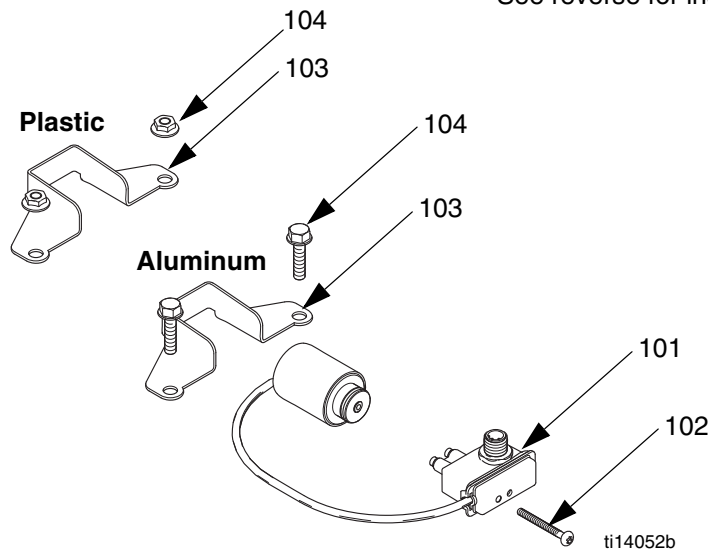
Ref.	Description	Qty.
101	REED SWITCH/SOLENOID ASSEMBLY	1
102	SCREW, reed switch, 8-32 x 1.50	1
103	BRACKET, solenoid	1
104	FASTENER, solenoid, M6 x 25 screw	2

Kits 17H320 and 17H321

For Endura-Flo 3D150, 3D350, 4D150, or 4D350 pumps

Ref.	Description	Qty.
101	REED SWITCH/SOLENOID ASSEMBLY	1
102	SCREW, reed switch, slot hex, #8-32 tap	1
103	BRACKET, solenoid	1
104	FASTENER, solenoid, M6 x 20 screw	4

See reverse for installation instructions.

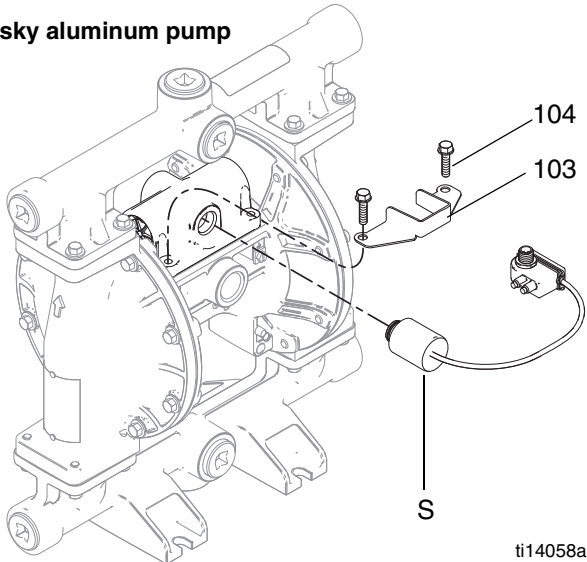


Installation

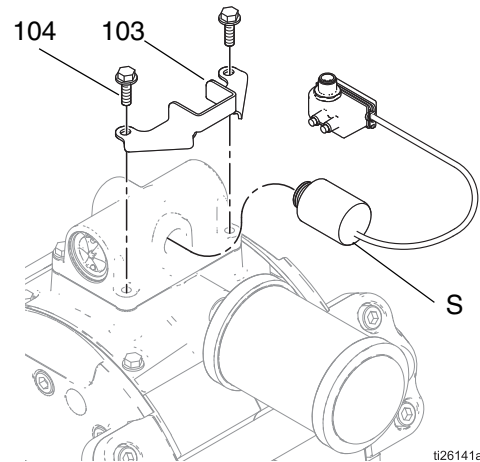
NOTE: These kits are intended to replace a reed switch/solenoid assembly. Contact your distributor to order the correct conversion kit to add monitoring capabilities.

1. Attach the solenoid (S) and bracket (103) to the air valve. Use the same screws (104) that attach the air valve to the center housing, as shown.

Husky aluminum pump

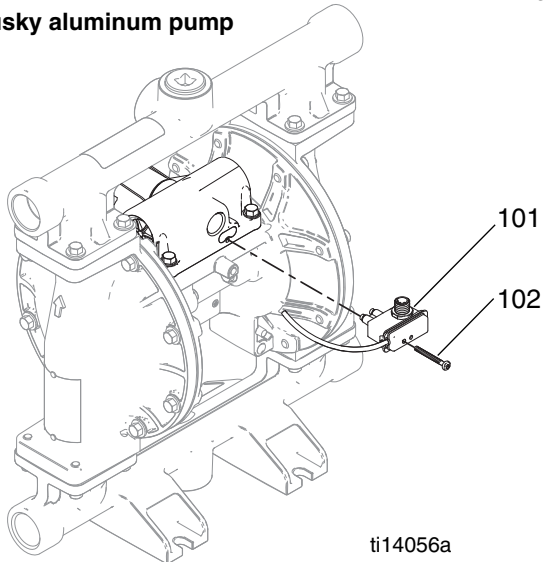


Endura-Flo pump

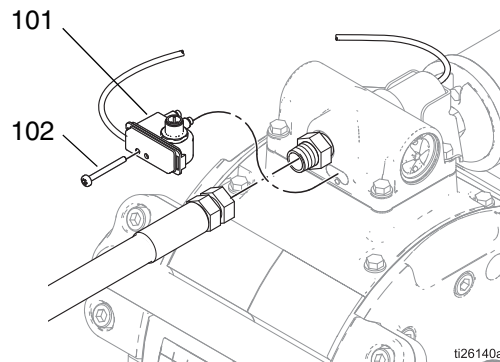


2. Use the screw (102) provided to attach the reed switch (101) just behind the air inlet. Remove the muffler or inlet air hose, if needed, for easier access. Rotate the air inlet fitting as needed so the wrench flat clears the reed switch.

Husky aluminum pump



Endura-Flo pump



3. Connect the DataTrak cable to the 5-pin connector on the reed switch. Reconnect the air line to the motor.

All written and visual data contained in this document reflects the latest product information available at the time of publication. Graco reserves the right to make changes at any time without notice.

Original instructions. This manual contains English. MM 406825

For patent information, see www.graco.com/patents.

Graco Headquarters: Minneapolis
International Offices: Belgium, China, Japan, Korea

GRACO INC. AND SUBSIDIARIES • P.O. BOX 1441 • MINNEAPOLIS MN 55440-1441 • USA

Copyright 2009, Graco Inc. All Graco manufacturing locations are registered to ISO 9001.

www.graco.com
Revision J, March 2018