

Cylinder Kits

Merkur™ Bellows Pumps

406849C

ENG



Important Safety Instructions

Read all warnings and instructions in manuals 312793 and 312795. Save all instructions.

Kit 24A828, LB050x (50cc) pumps

Ref.	Description	Qty.
101	CYLINDER	1
102	O-RING, foot cap; OD 1.8 in. (46 mm)	1
103	O-RING, packing nut bottom; OD 1.6 in. (41 mm)	1
104	O-RING, packing nut top; OD 1.9 in. (48 mm)	1
105	FITTING, outlet; 3/8-18 npt x 3/4-16 unf	1
106	O-RING, outlet fitting; OD 0.6 in. (15 mm)	1
107	O-RING, bellows chamber; OD 2.5 in. (64 mm)	1
108*	O-RING, piston; OD 0.56 in. (14 mm)	1

Kit 24A830, LB150x (150cc) pumps

Ref.	Description	Qty.
101	CYLINDER	1
102	O-RING, foot cap; OD 2.7 in. (69 mm)	1
103	O-RING, packing nut bottom; OD 2.25 in. (57 mm)	1
104	O-RING, packing nut top; OD 1.9 in. (48 mm)	1
105	FITTING, outlet; 3/4-14 npt x 1 3/16-16 unf	1
106	O-RING, outlet fitting; OD 1.0 in. (25 mm)	1
107	O-RING, bellows chamber; OD 2.5 in. (64 mm)	1
108*	O-RING, piston; 0.85 in. (21.6 mm)	1

Kit 24A829, LB100x (100cc) pumps

Ref.	Description	Qty.
101	CYLINDER	1
102	O-RING, foot cap; OD 2.4 in. (61 mm)	1
103	O-RING, packing nut bottom; OD 2.0 in. (51 mm)	1
104	O-RING, packing nut top; OD 1.9 in. (48 mm)	1
105	FITTING, outlet; 3/8-18 npt x 3/4-16 unf	1
106	O-RING, outlet fitting; OD 0.6 in. (15 mm)	1
107	O-RING, bellows chamber; OD 2.5 in. (64 mm)	1
108*	O-RING, piston; 0.85 in. (21.6 mm)	1

* May not be used. Piston and rod may separate during disassembly. If separated, always replace the o-ring before reassembly.

See reverse for parts illustration and assembly notes.

TIP: Some o-rings are close in size. Stack on bench to differentiate.

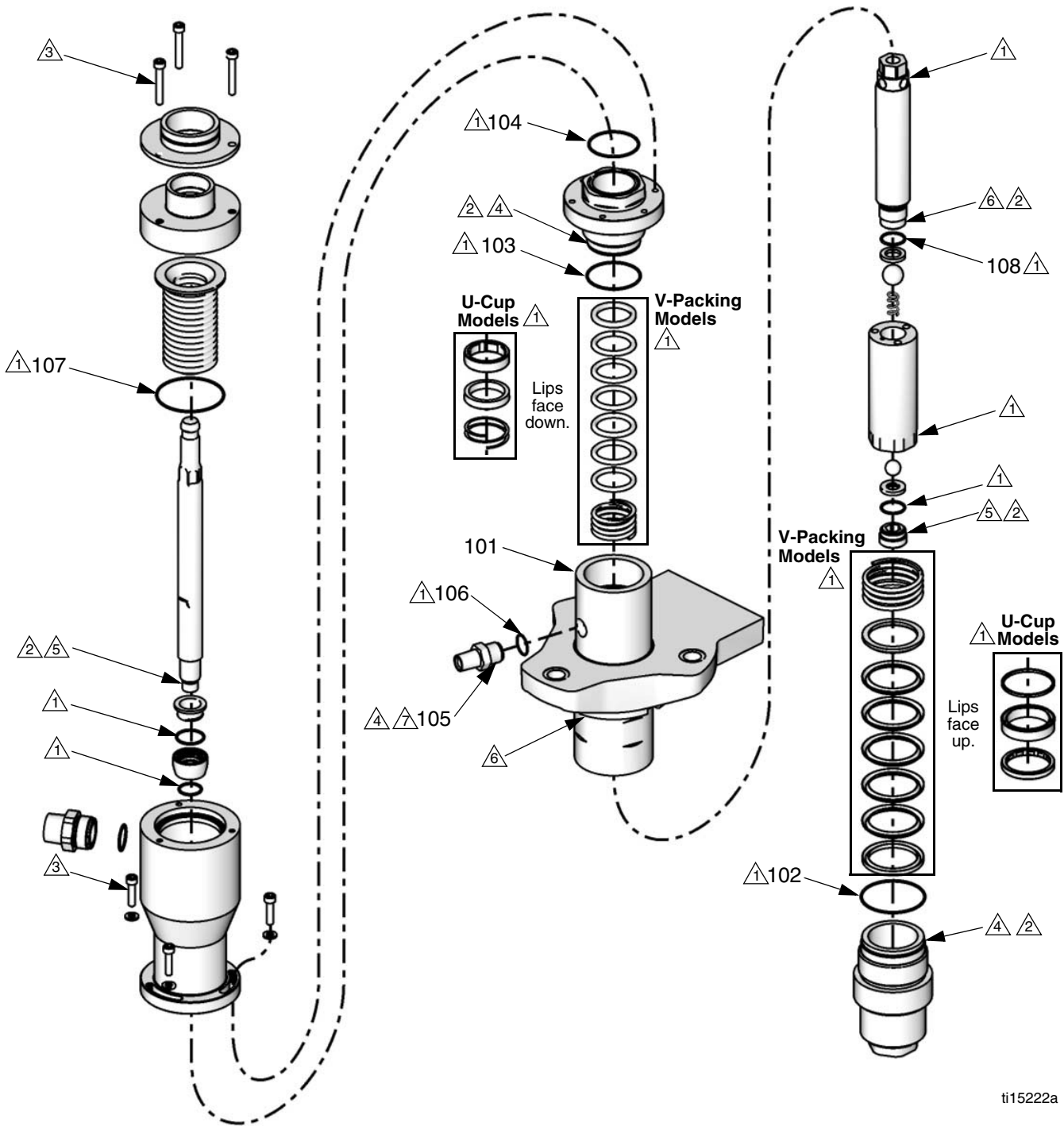
Graco Inc. P.O. Box 1441 Minneapolis, MN 55440-1441

Original instructions. MM 406849

Copyright 2010, Graco Inc. is registered to ISO 9001

Revised 7/2010

NOTE: Full disassembly shown. Disassemble only as far as needed for the parts being replaced.



ti15222a

- △1 Apply grease.
- △2 Apply thread lubricant.
- △3 Torque to 100-120 in-lb (11-14 N•m).
- △4 Torque to 54-66 ft-lb (73-89 N•m).

- △5 Torque to 74-86 ft-lb (100-117 N•m).
- △6 Torque to 91-109 ft-lb (123-148 N•m).
- △7 Apply high-strength thread locker.