

# Torqueable Wet-Cup Kit

406866C  
EN

**Kit 24F145 - To convert 3000cc and 4000cc 4-Ball Lowerers from spring-loaded throat packings and an enclosed wet-cup, to torqueable throat packings and an open wet-cup.**



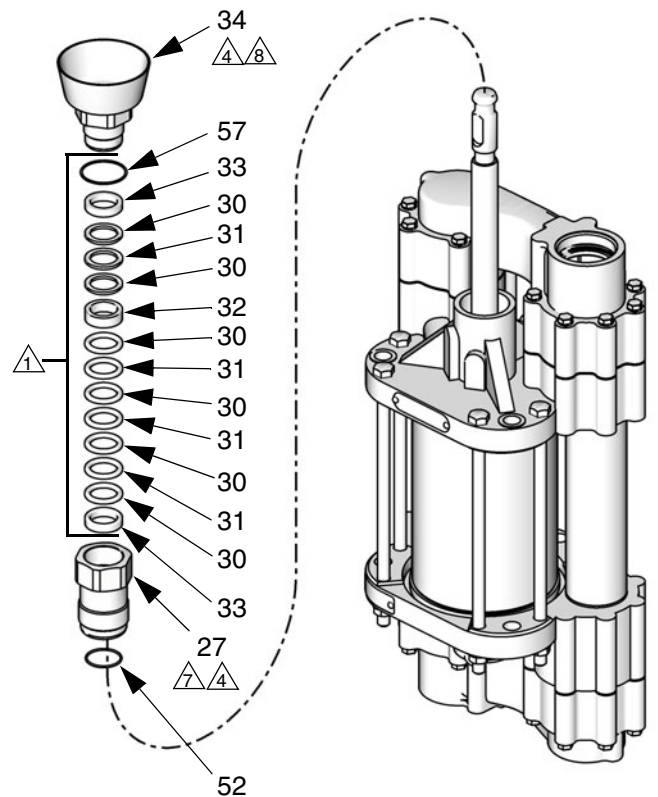
**Important Safety Instructions**

Read all warnings and instructions in this manual and in your 4-Ball pump manual 3A0540. Save all instructions.

Ref.	Description	Qty
27	CARTRIDGE, packing, throat	1
30	V-PACKING; UHMWPE	6
31	V-PACKING; leather	4
32	GLAND, female	1
33	GLAND, male	2
34	WET-CUP	1
52	O-RING; ptfe	1
57	O-RING; ptfe	1

**NOTE:** Use kit 24F145 to convert the 4-Ball lowerers listed in the table below.

Lower Size (cc)	Lower Part No.
3000	24F448
3000	24F449
3000	24F450
4000	24F451
4000	24F452
4000	24F453



ti16152a

- 1 Apply lubricant to all packings.
- 4 Apply thread lubricant.
- 7 Torque 95-100 ft-lb (129-135 N•m).
- 8 Torque 50 ft-lb (67 N•m), then back off and retorque to 20-25 ft-lb (27-34 N•m).

*All written and visual data contained in this document reflects the latest product information available at the time of publication.  
Graco reserves the right to make changes at any time without notice.*

Original instructions. This manual contains English. MM 406866

**Graco Headquarters:** Minneapolis

**International Offices:** Belgium, China, Japan, Korea

**GRACO INC. AND SUBSIDIARIES • P.O. BOX 1441 • MINNEAPOLIS, MN 55440-1441 • USA**

**Copyright 2010, Graco Inc. All Graco manufacturing locations are registered to ISO 9001.**

[www.graco.com](http://www.graco.com)  
Revised 09/2011