

570123 Gun Flush Box Mounting Kit

For Graco 244105 Gun Flush Box

406918A

ENG

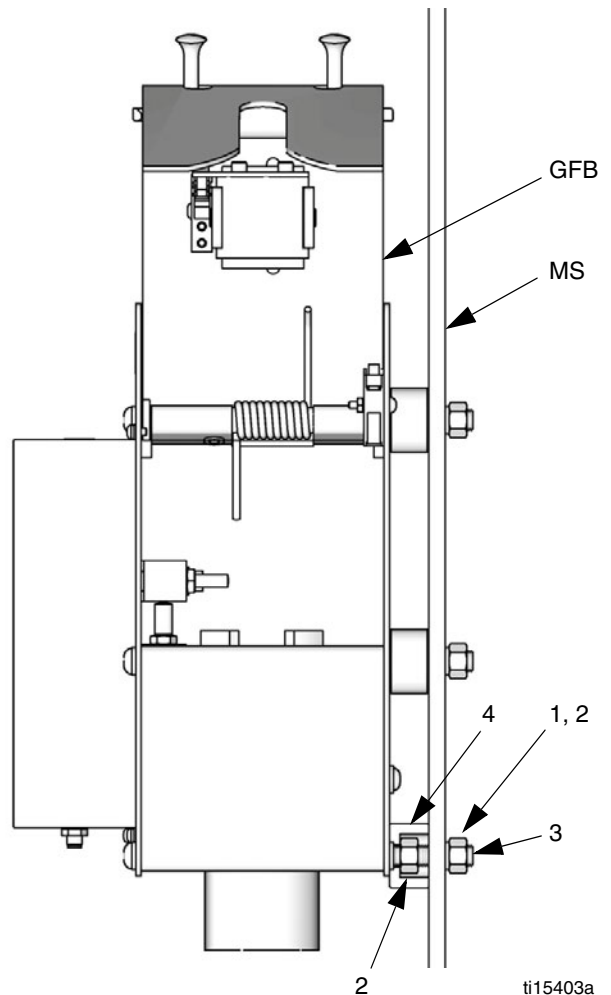
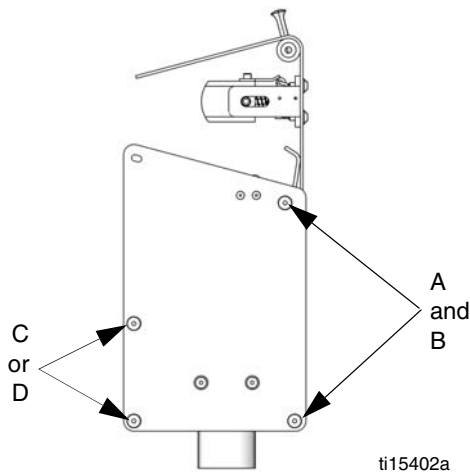


Important Safety Instructions

Read all warnings and instructions in manual 309227. Save all instructions.

- 1 Remove the screws and washers from the two holes (A and B) at the rear edge of the right-hand side of the gun flush box (GFB), as shown. Remove the screw and washer from one of the two holes (C or D) at the front edge of the GFB.
- 2 Screw three threaded rods (3) into the ends of the internal rods (vacated by screws).
- 3 Slide a spacer (4) onto each rod (3), with the wide end facing out.
- 4 Use a nut (2) to secure each rod and spacer to the side of the GFB.
- 5 Install the GFB so the rods (3) go through the mounting surface (MS). Secure with three washers (1) and nuts (2).

Ref.	Description	Qty.
1	WASHER, lock; 3/8	3
2	NUT, hex; 3/8-16	6
3	ROD, threaded; 3/8-16; 2.5 in. (159 mm); sst	3
4	SPACER	3



Graco Inc. P.O. Box 1441 Minneapolis, MN 55440-1441

406918 Rev. A 01/2011

Original instructions. This manual contains English.

Copyright 2011, Graco Inc. is registered to ISO 9001