

Repair Kits 24G555 and 24G556

406928A

For SaniForce 12:1 Priming Piston Pumps

ENG



Important Safety Instructions

Read all warnings and instructions in manual 3A0735. Save all instructions.

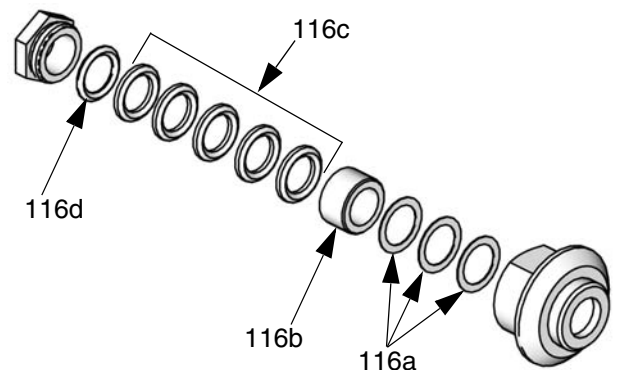
See reverse for parts illustration and assembly notes.

Kit 24G555

For Pump Model 24F625 (Lower Model 24G761)

Ref.	Description	Qty.
103b	INSERT, u-cup seal assembly	1
103c	U-CUP, u-cup seal assembly	1
103d	O-RING, u-cup seal assembly, OD 3 in. (76 mm)	1
109	U-CUP, UHMWPE	1
110	BEARING	2
116	STACK, gland/packing	1
123	O-RING, nitrile, OD 3.4 in. (86 mm)	1

When installing the packing stack (116) into the intake valve, maintain the following order: shims (116a), female gland (116b), five v-packings (116c) with the lips facing up, and male gland (116d).



ti15568a

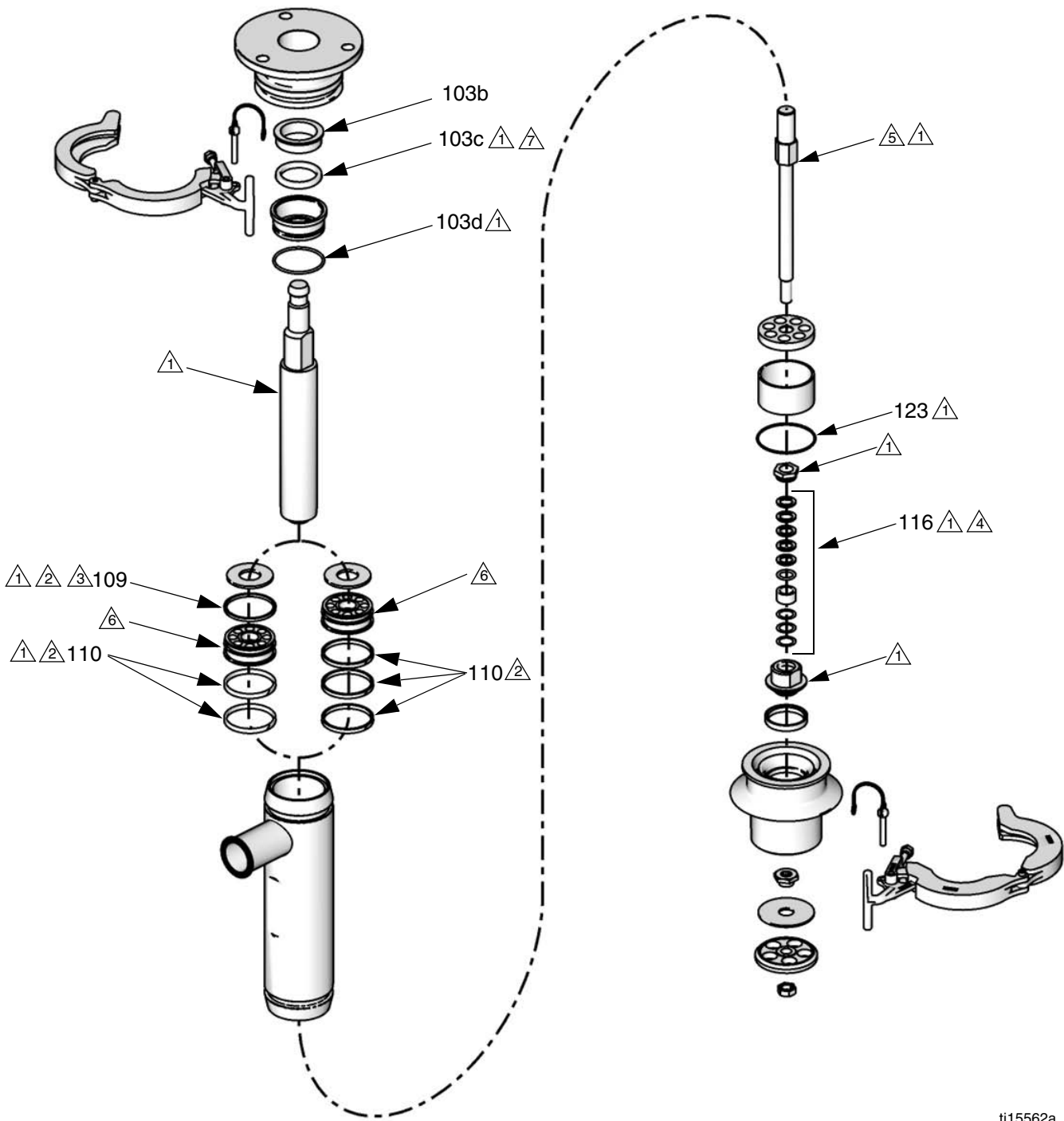
Kit 24G556

For Pump Model 24F626 (Lower Model 24G762)

Ref.	Description	Qty.
103b	INSERT, u-cup seal assembly	1
103c	U-CUP, u-cup seal assembly	1
103d	O-RING, u-cup seal assembly, OD 3 in. (76 mm)	1
110	BEARING	3
116	STACK, gland/packing	1
123	O-RING, nitrile, OD 3.4 in. (86 mm)	1

Graco Inc. P.O. Box 1441 Minneapolis, MN 55440-1441

Original instructions. This manual contains English. MM 406928
Copyright 2011, Graco Inc. is registered to ISO 9001



ti15562a

1 Apply appropriate waterproof, sanitary lubricant.

2 Model 24G761 has a u-cup (109) and two bearings (110). Model 24G762 has three bearings (110) and no u-cup (109).

3 Piston u-cup lips must face UP.

4 V-packing lips must face UP.

5 Torque to 60-70 ft-lb (81-95 N•m).

6 Cutout on piston must face DOWN.

7 Throat u-cup lips must face DOWN.