

Drum-Mount Suction Kit

407018B

SaniForce® 515 Diaphragm Pumps

EN



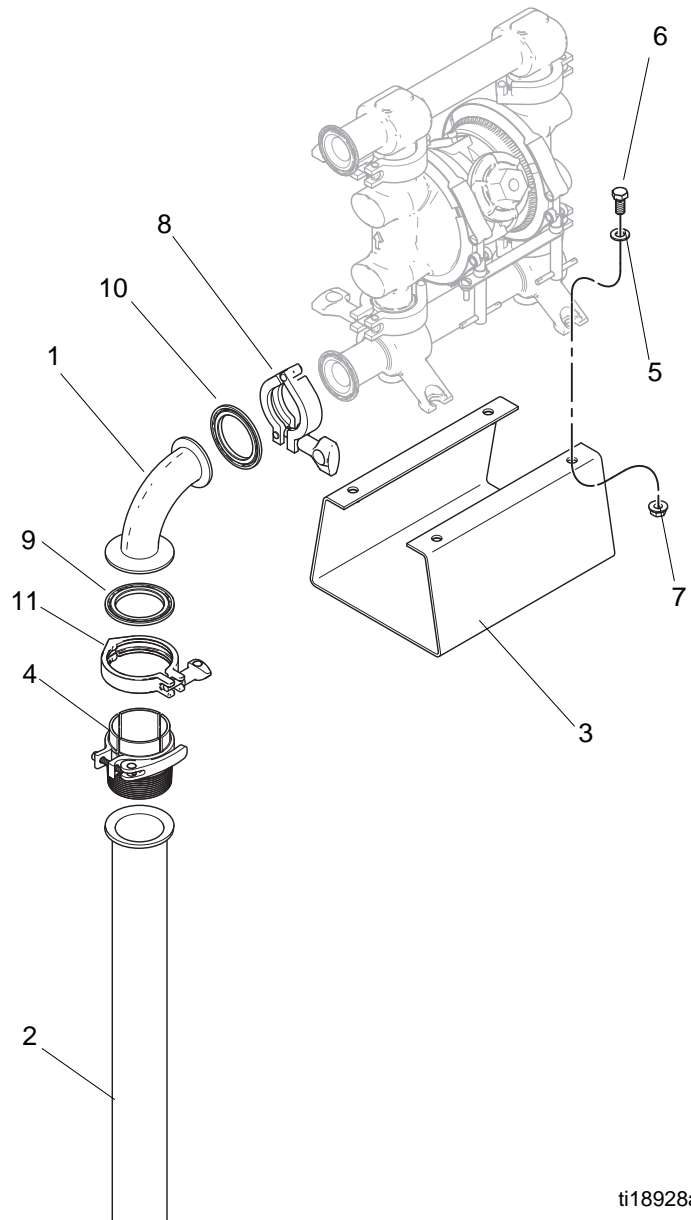
Important Safety Instructions

Read all warnings and instructions in the SaniForce 515 Air-Operated Diaphragm Pump manual. Save all instructions.

Kit 262828

Ref. Description

Ref.	Description	Qty.
1	ELBOW, reducer	1
2	TUBE, suction, drum length	1
3	BRACKET, mounting	1
4	ADAPTER, bung	1
5	WASHER, plain	4
6	SCREW, cap, hex head	4
7	NUT, hex, flange head	4
8	CLAMP, sanitary, 1.5 in.	1
9	GASKET, sanitary, 2 in., EPDM	1
10	GASKET, sanitary, 1.5 in., Buna-N	1
11	TRICLAMP, 2 in.	1

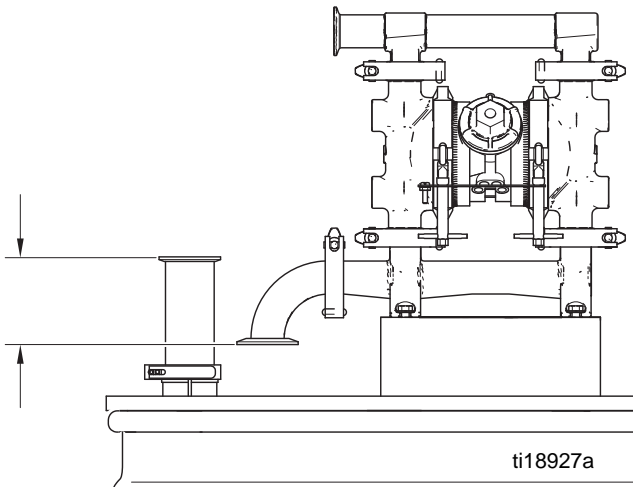


ti18928a

See reverse for installation instructions.

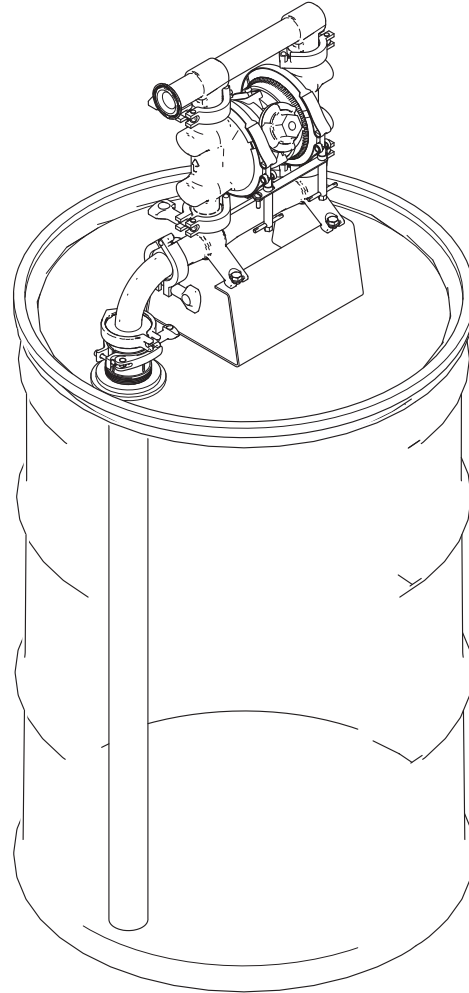
Install the Suction Kit

1. Use the screws (6), washers (5), and nuts (7) to mount the pump on the bracket (3).
2. Attach the elbow (1) and gasket (10) to the pump inlet with the clamp (8). Tighten securely.
3. Place the mounted pump on the supply drum cover.
4. Remove the drum's bung hole plug, and thread the bung adapter (4) tightly into the bung hole.
5. Lower the tube (2) through the adapter (4) until it rests on the bottom.
6. The supplied tube is long enough for the tallest drums. If the tube is not the correct height to clamp to the inlet elbow (1), the tube must be cut to fit.
 - a. Measure the distance between the bottom of the flange on the elbow (1) and the top of the flange on the tube (2).



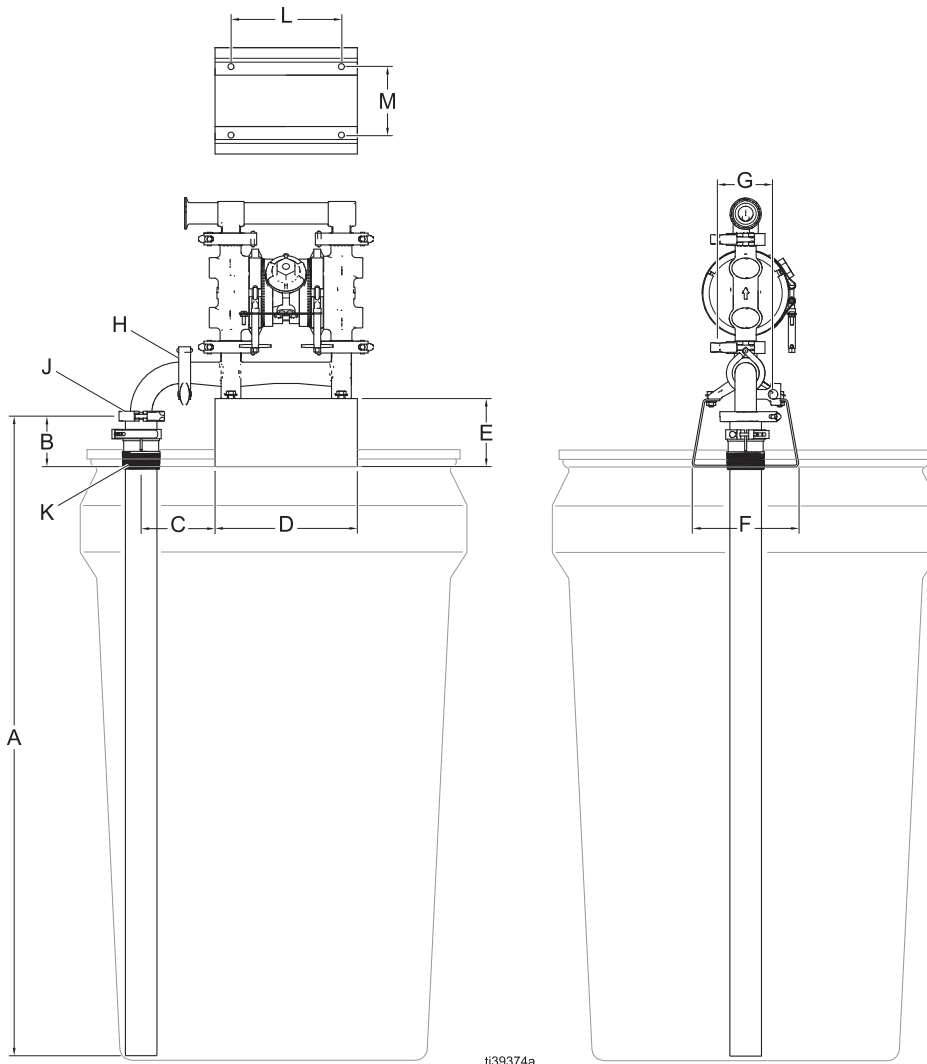
- b. Remove the tube. Add 1/2 in. to your measurement. Mark and cut this amount off the bottom of the tube (the end with no flange).

- c. When the tube is the correct length, slide it back through the bung adapter (4) into the drum.
7. Attach the elbow (1) and gasket (9) to the bung adapter (4) with the clamp (11).



ti18927a

Dimensions



Ref.	in.	cm
A	41.00	104.14
B	3.18	8.08
C	4.61	11.71
D	9.00	22.86
E	3.18	8.08
F	6.73	17.09
G	3.25	8.25
H	1.5 in. Sanitary Clamp	
J	2 in. Sanitary Clamp	
K	2-11 1/2 NPT Thread	
L	6.99	17.75
M	4.33	11.00

All written and visual data contained in this document reflects the latest product information available at the time of publication. Graco reserves the right to make changes at any time without notice.

Original instructions. This manual contains English. MM 407018

Graco Headquarters: Minneapolis
International Offices: Belgium, China, Japan, Korea

GRACO INC. AND SUBSIDIARIES • P.O. BOX 1441 • MINNEAPOLIS MN 55440-1441 • USA

Copyright 2012, Graco Inc. All Graco manufacturing locations are registered to ISO 9001.

www.graco.com

Revision B, December 2020