



# PROGRESSIVE CAVITY PUMP (PCP)

Single-Component Metering and Dispensing System



PROVEN QUALITY. LEADING TECHNOLOGY.

# MAXIMUM LIFE TIME WITH MINIMUM MAINTENANCE

Graco's Progressive Cavity Pump is designed for maximum life time with minimum maintenance. It is an ideal solution for single component materials that are middle to high viscosity and can easily handle abrasive materials.

## MATERIAL INLET

- Eliminates dead spots and material buildup
- Improves inlet path to reduce pressure limits

## UNIVERSAL JOINT

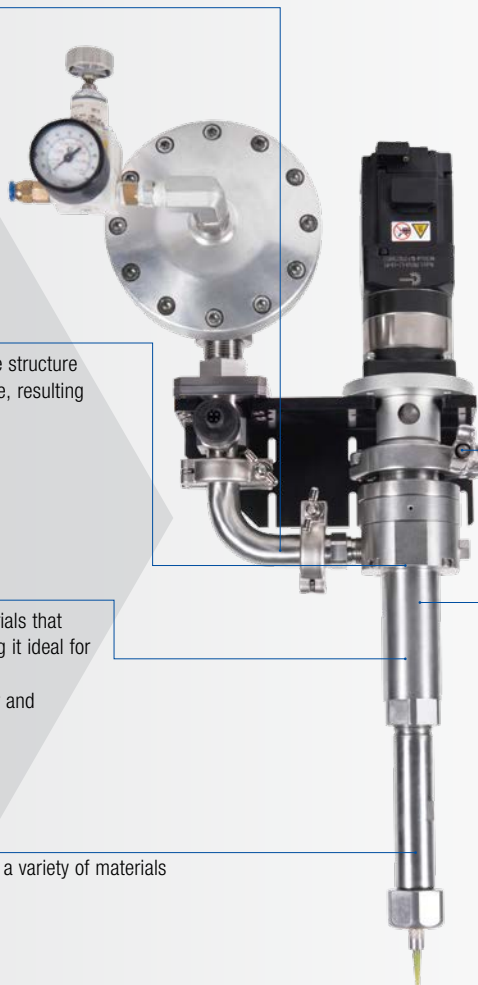
- The special material and unique structure enhance the abrasion resistance, resulting in longer service life

## IMPROVED ROTOR

- The rotor is made of new materials that maximize its service life, making it ideal for handling abrasive materials
- The hard coating prevents wear and scratches

## STATOR SELECTION

- Available in Viton® to work with a variety of materials



## QUICK-CHANGE CLAMPS

- The pump body can be easily removed from the flange for cleaning and maintenance

## ROTOR CONNECTION

- The bolted connection of the rotor and universal joint enables quick removal and flexible maintenance

## KEY FEATURES & BENEFITS

### POSITIVE DISPLACEMENT VALVE TECHNOLOGY

Continuous feed and positive displacement metering ensure repeatability of ( $\pm$ ) 1%, which saves filling time and improves dispensing efficiency

### ADJUSTABLE FLOW RANGE

Flexible adjustment of dispensing process enables higher productivity and delivery

### SPECIAL WEAR-RESISTANT FLUID PATH FOR TIM DISPENSING

The fluid path is specially designed to minimize downtime and reduce requirements for spare parts

### DIRECT FEED FROM CARTRIDGE, ELIMINATES THE FEED SYSTEM

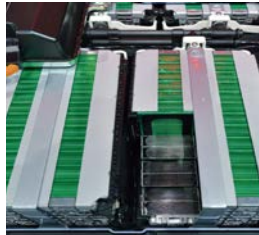
The compact design significantly saves space

# RELIABLE AND ROBUST DESIGN

## MARKETS & APPLICATIONS



Electronics



Battery



Automotive



General Industry



Medical Device

## MATERIALS

- Thermal interface materials
- Epoxy adhesive
- Solder paste
- Silicone grease
- Silicones

## APPLICATIONS

- LED encapsulation
- Sealing
- Underfilling
- Adhesion
- Coating of electronic components
- Filling
- Thermally conductive dispensing

## CONTROLLER OPTIONS

### COMPACT PCB CONTROLLER

- Compact design for flexible placement
- Various dispensing modes available
- Communication: Profinet, I/O
- Dimensions: 275\*250\*146 mm
- Designed for the electronics industry



## TECHNICAL SPECIFICATIONS

VOLUME/REV.	0.30 CC	1.00 CC	1.45 CC
Max RPM	150		
Max Flow Rate	45 cc/min	150 cc/min	217 cc/min
Min Shot Size	0.03 cc	0.08 cc	0.12 cc
Max Operating Pressure	400 psi (2.75 MPa, 27.5 bar)		
Operating Temperature	75 °C (167 °F)		
Material Viscosity	1-1,000,000 MPa · s (depending on size)		
Wetted Parts	SST, FKM, UHMW, alloy, acetal, chrome		
Inlet Thread	#6 JIC		
Outlet Thread	5/16-28 (f)		
Weight (motor and gear box not included)	2.60 kg (5.73 lb)	2.62 kg (5.78 lb)	2.90 kg (6.39 lb)





## OUR BRAND PROMISE TO YOU

Since 1926, **innovation**, **quality** and **A+ Service** have been at the centre of Graco.

### Experience Innovation

Our focus on innovation results in products and equipment that lead the industry with technologically-advanced features, pioneering design, high performance and unparalleled reliability. In short, innovation is how you get better products!

### Building Quality

You're investing in high-quality products built to last for years of reliable service. Moreover, we partner with our customers to better understand how you're deploying our products in the field, then use your experiences to improve performance and durability.



### A+ service, every time

You'll see A+ Service in action when you contact any of our support services options no matter where you are in the world. We'll listen to your situation and work methodically to resolve it as quickly as we can. We are guided by a mindset of integrity and a customer service view centred on collaboration and relationships, not transactions.



We're here to answer questions and help address your needs:

[www.graco.com/contact](http://www.graco.com/contact)

Graco is certified ISO 9001.

©2021 Graco Distribution BV 350444ENEU-A 05/23. Printed in Europe.

All written and visual data contained in this document are based on the latest product information available at the time of publication. Graco reserves the right to make changes at any time without notice.

All other brand names or marks are used for identification purposes and are trademarks of their respective owners. For more information on Graco's intellectual property, see [www.graco.com/patent](http://www.graco.com/patent) or [www.graco.com/trademarks](http://www.graco.com/trademarks).