



Bellows Pumps

The Newest Technology in Piston Pumps



PROVEN QUALITY. LEADING TECHNOLOGY.

Merkur™ Bellows

The gentle pumping action of the Merkur Bellows Pump, combined with reduced sealing surfaces, provides superior handling of shear-sensitive materials, including UV coatings and waterborne materials.

Applications

- Catalyzed coatings
- Varnish and lacquer
- High solid coatings
- Abrasive materials
- Solvent and waterborne materials
- Moisture-sensitive materials
- UV-cure coatings
- Flat line machine lines
- General finishing applications where open wet cups are not preferred

Operator Control Panel

- Air controls located at operator height for easy setting and monitoring



DataTrak™

- Easy-to-set runaway protection
- Pump diagnostics for maintenance
- Resettable batch counter tracks material usage and maintenance schedule



Powerful Capabilities in a Unique Piston Pump

Merkur Air Motor Technology

- Highest technology air motor on the market
- Low air consumption for increased efficiency
- Simple air motor design and minimal parts reduces repair time

Leak Proof Pump Lower

- Easy-to-flush design allows for fast color changes and reduced material waste
- 300 series stainless steel pump construction provides long-lasting durability
- Fewer parts and online replacement bellows seal means improved serviceability, lower cost of ownership and reduced downtime

1. Air Valve

Provides smooth and rapid changeover

2. Quick Removal Coupler

Allows for easy disassembly of the pump lower from the air motor

3. Rotatable Inlet Fitting

Inlet can be rotated 360 degrees for easy access

4. Improved Bellows Seal Design

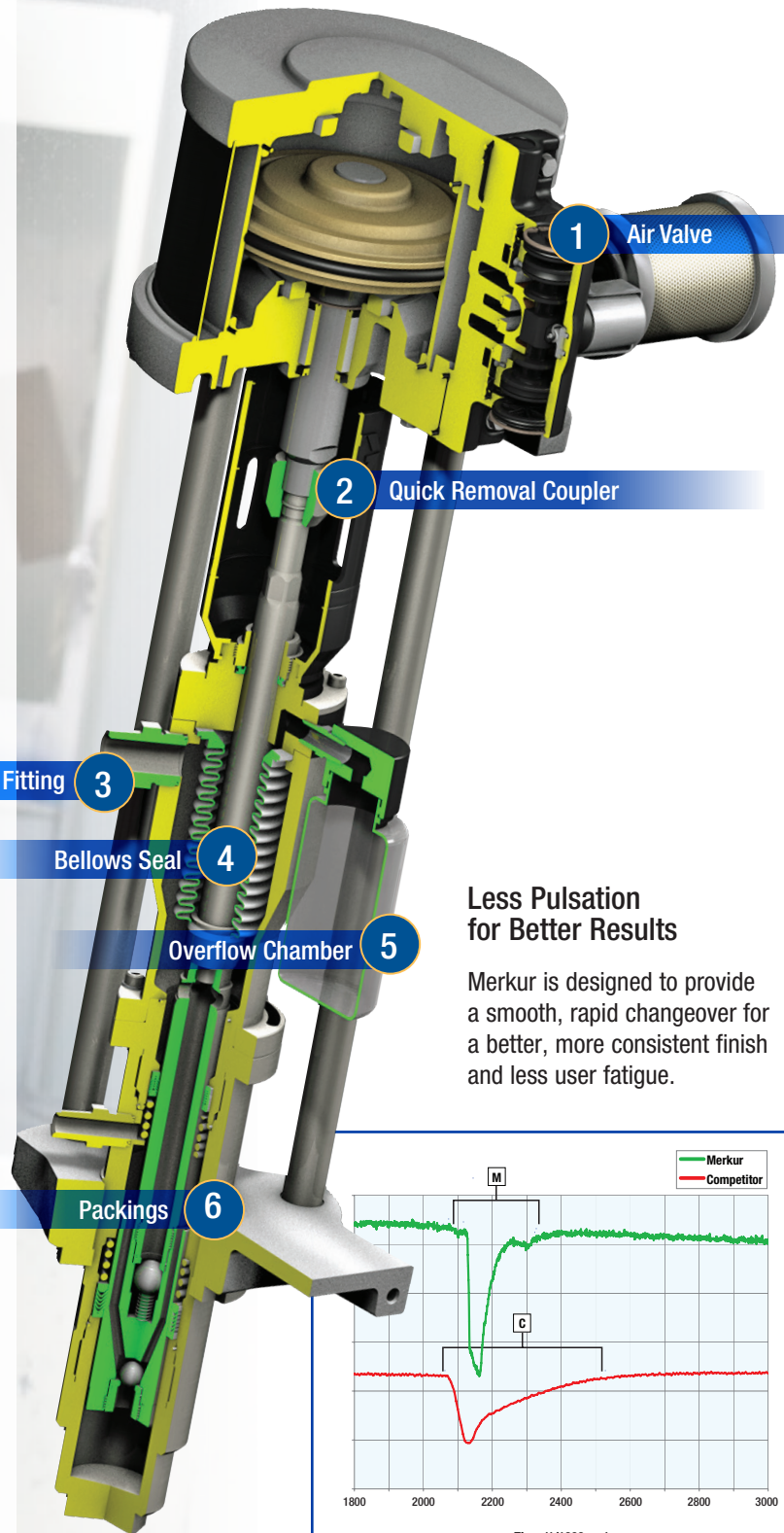
Eliminates throat seal leakage and lubrication

5. Overflow Chamber (Optional)

D-shaped seal and overflow chamber contains the material within the pump in case of bellows leakage

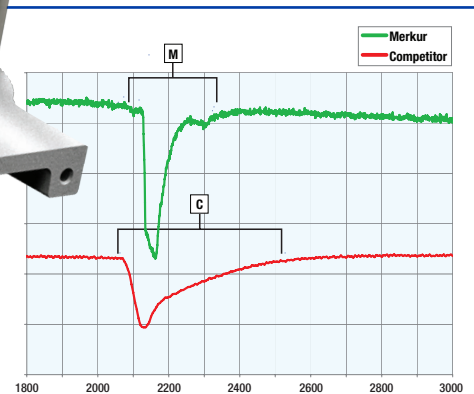
6. Throat and Piston Packings

- Spring-loaded to maintain long packing life – no adjustments needed
- Available with V-Packing seals for abrasives or U-Cup seals for UV coatings



Less Pulsation for Better Results

Merkur is designed to provide a smooth, rapid changeover for a better, more consistent finish and less user fatigue.



- M** — Quick changeover and recovery minimizes pulsation and creates an even film thickness
- C** — Longer changeover and pressure spike creates inconsistent finish

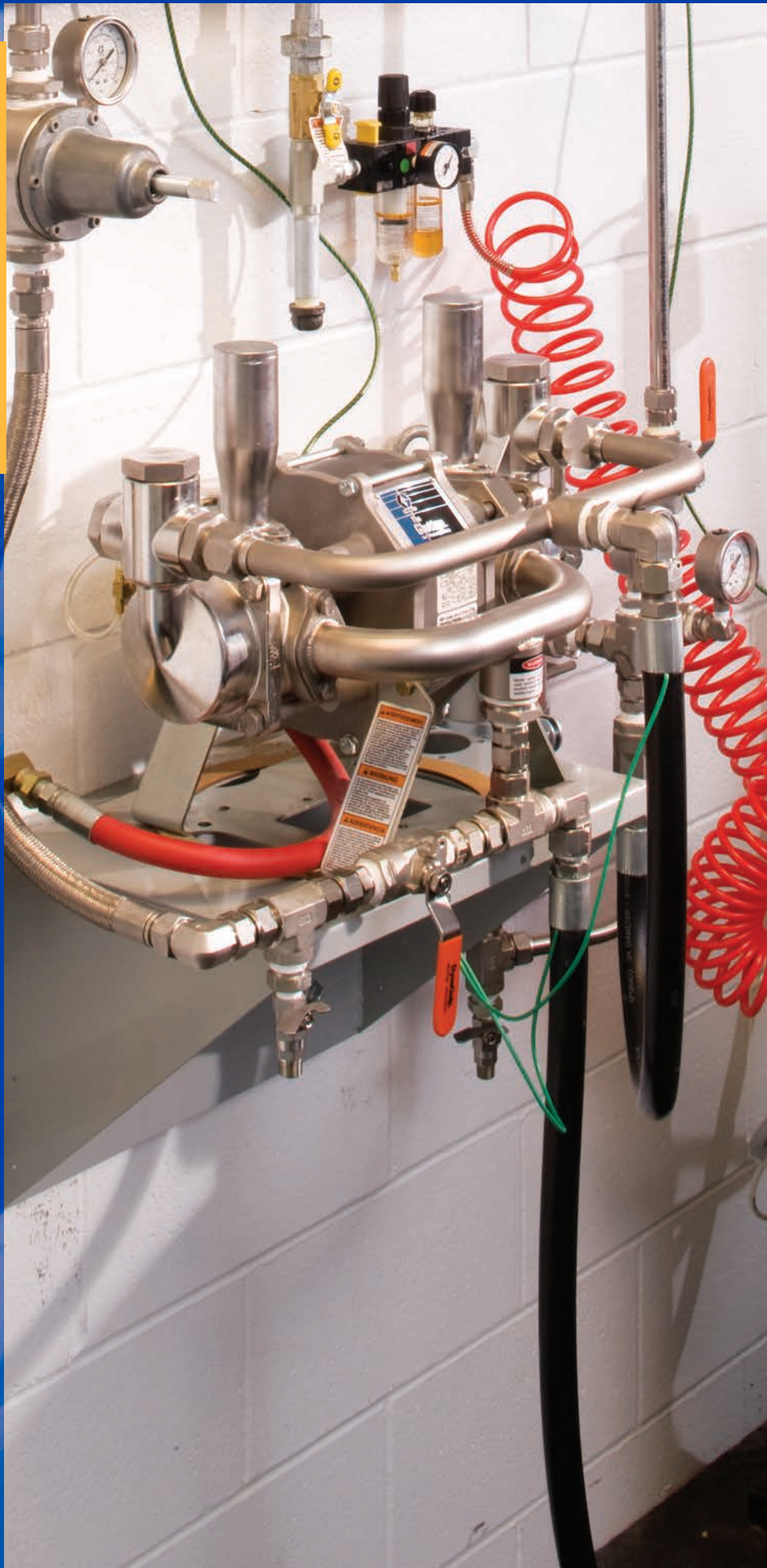
Glutton® Bellows

Known for its robust design, the Glutton pump features a bellows seal that virtually eliminates the possibility of air or moisture contaminating the fluid.

Choose the heavy-duty Glutton when no other pump can handle the job!

Applications

- Air spray and HVLP supply
- Circulating systems
- Catalyzed coatings
- Varnish and lacquer
- High solid coatings
- Abrasive materials
- Solventborne and waterborne fluids
- Moisture sensitive materials
- UV-cure coatings
- Flatline machine lines
- General finishing applications where open wet cups are not preferred



The Heavy-Duty, Low Maintenance Solution

Compact Design

1. Vertical Ball Check

- Reversible seats for uniform wear and long service life
- External check allows for quick maintenance for materials that pack or mat out easily

2. External Air Valve

- Easy installation and maintenance

3. Outlet Manifold

- Simplifies plumbing and installation

4. Pump Stand

- Included for easy mounting

5. Cylinder and Displacement Rod

- Designed to handle a broad range of coatings

6. Piston Seal

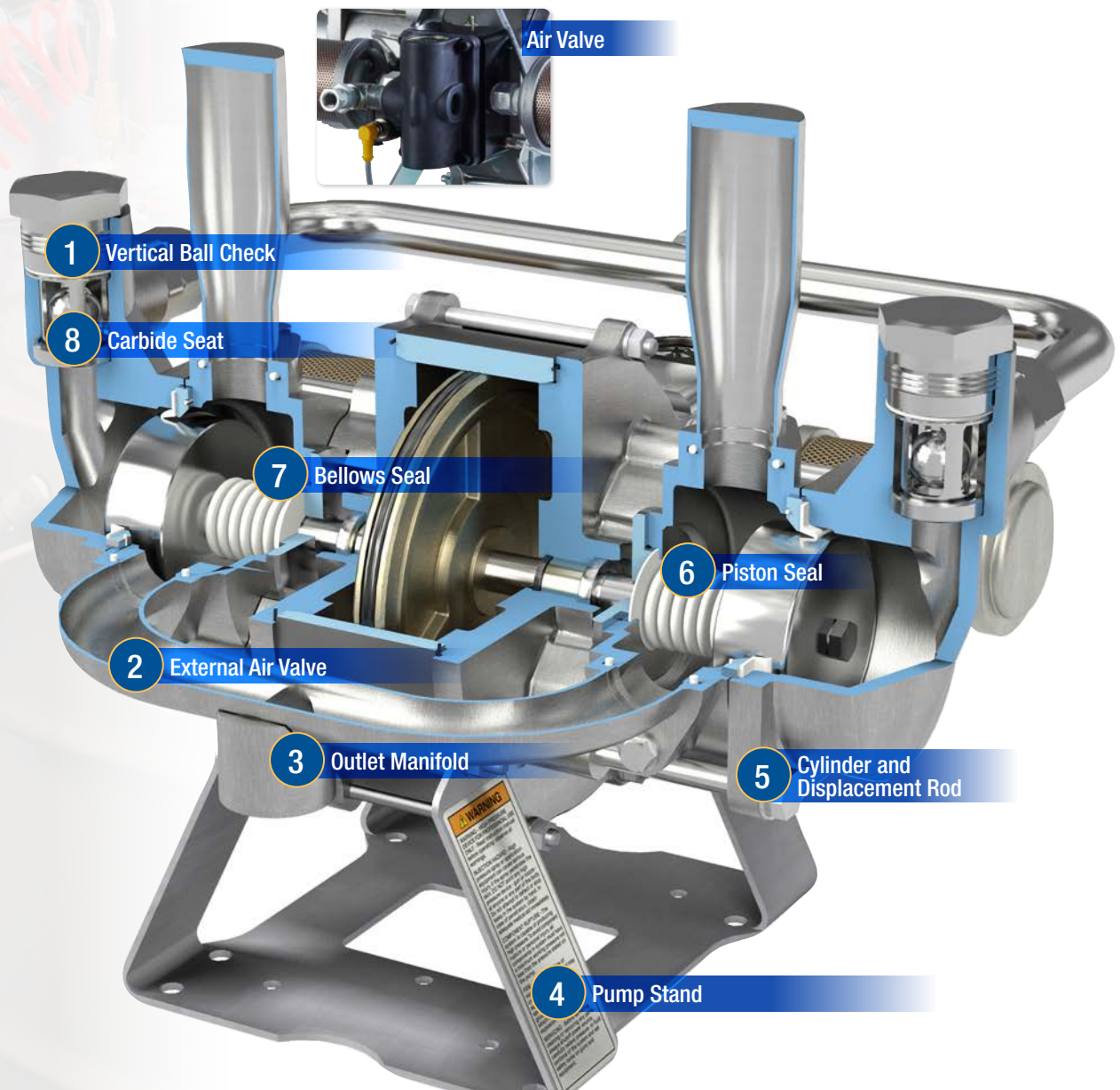
- Multiple configurations for material compatibility

7. Heavy-Duty Bellows Seal

- Designed for longer life in abrasive applications

8. Carbide Seat Accessory

- Ideal for abrasive materials



Merkur Bellows Ordering Information

Package Description:

Pump: Package includes pump, pump only air controls. Siphon tube, hoses, and guns are not included.

AA: Air Assist Airless package includes pump, pump and gun air controls, PerformAA 15 or PerformAA 50, fluid hose, gun fluid hose, gun air hose, 5 gallon (19 l) pail suction hose and tube

AL: Airless™ package includes pump, pump air controls, XTR™ gun, fluid hose, gun fluid hose, 5 gallon (19 l) pail suction hose and tube

ES: Electrostatic package includes pump, pump and gun air controls, Pro Xp85 AA Smart Gun, fluid hose, gun fluid hose, gun air hose, 5 gallon (19 l) pail suction hose and tube

Ratio	5:1	12:1	15:1	15:1	23:1	24:1	25:1	35:1
Pump Volume per Cycle	150 cc	100 cc	50 cc	150 cc	100 cc	150 cc	50 cc	100 cc
Air Motor Displacement	400 cc	700 cc	400 cc	1200 cc	1200 cc	1800 cc	700 cc	1800 cc
Maximum Fluid Outlet Pressure	500 psi (35 bar)	1200 psi (83 bar)	1500 psi (103 bar)	1500 psi (103 bar)	2300 psi (158 bar)	2400 psi (165 bar)	2500 psi (172 bar)	3500 psi (241 bar)
Maximum Air Inlet Pressure	100 psi (7 bar)	100 psi (7 bar)	100 psi (7 bar)	100 psi (7 bar)	100 psi (7 bar)	100 psi (7 bar)	100 psi (7 bar)	100 psi (7 bar)
Fluid Flow @ 60 cpm	2.4 gpm (9.0 lpm)	1.6 gpm (6.0 lpm)	0.8 gpm (3.0 lpm)	2.4 gpm (9.0 lpm)	1.6 gpm (6.0 lpm)	2.4 gpm (9.0 lpm)	0.8 gpm (3.0 lpm)	1.6 gpm (6.0 lpm)
Air Consumption @ 100 psi (7 bar) @ 20 cpm	6 scfm (0.17 m3/min)	9 scfm (0.17 m3/min)	6 scfm (0.17 m3/min)	17 scfm (0.48 m3/min)	17 scfm (0.48 m3/min)	26 scfm (0.74 m3/min)	9 scfm (0.17 m3/min)	26 scfm (0.74 m3/min)
Fluid Inlet Size	1" npt(m)	3/4" npt(m)	3/4" npt(m)	1" npt(m)	3/4" npt(m)	1" npt(m)	3/4" npt(m)	3/4" npt(m)
Fluid Outlet Size	3/4" npt(m)	3/8" npt(m)	3/8" npt(m)	3/4" npt(m)	3/8" npt(m)	3/4" npt(m)	3/8" npt(m)	3/8" npt(m)
Air Inlet (Air Controls)	3/8" npt(f)	3/8" npt(f)	3/8" npt(f)	3/8" npt(f)	3/8" npt(f)	3/8" npt(f)	3/8" npt(f)	3/8" npt(f)

Seal	Mount	Package	Drain Valves	Fluid Filter	DataTrak										
V-Packing	Wall	Pump				G05B01	G12B01	G15B01	G15B51	G23B01	G24B01	G25B01	G35B01		
						G05B02	G12B02	G15B02	G15B52	G23B02	G24B02	G25B02	G35B02		
						G05B05	G12B05	G15B09	G15B59	G23B09	G24B09	G25B09	G35B09		
		AA						G15B03	G15B53	G23B03	G24B03	G25B03	G35B03		
								G15B04	G15B54	G23B04	G24B04	G25B04	G35B04		
								G15B11	G15B61	G23B11	G24B11	G25B11	G35B11		
	Cart	Pump					G05B06	G12B06	G15B10	G15B60	G23B10	G24B10	G25B10	G35B10	
									G15B07	G15B57	G23B07	G24B07	G25B07	G35B07	
									G15B08	G15B58	G23B08	G24B08	G25B08	G35B08	
									G15B15	G15B65	G23B15	G24B15	G25B15	G35B15	
		AA							G15B16	G15B66	G23B16	G24B16	G25B16	G35B16	
										G23B35	G24B35	G25B33	G35B35		
										G23B36	G24B36	G25B34	G35B36		
										G15B83	G23B33	G24B33	G35B33		
		AL								G15B84	G23B34	G24B34	G35B34		
	U-Cup	Wall	Pump				G05B09	G12B09	G15B17	G15B67	G23B17	G24B17	G25B17	G35B17	
							G05B10	G12B10	G15B18	G15B68	G23B18	G24B18	G25B18	G35B18	
							G05B13	G12B13	G15B25	G15B75	G23B25	G24B25	G25B25	G35B25	
			AA						G15B19	G15B69	G23B19	G24B19	G25B19	G35B19	
									G15B20	G15B70	G23B20	G24B20	G25B20	G35B20	
									G15B27	G15B77	G23B27	G24B27	G25B27	G35B27	
Cart		Pump						G15B28	G15B78	G23B28	G24B28	G25B28	G35B28		
		AA													

Note: Graco recommends 20 cpm or less for intermittent pumping applications and 12 cpm or less for continuous pumping applications.

Spray Guns

Refer to the spray gun brochure for additional model numbers. All guns include tip of choice.

26B500	PerformAA 15 Air Assist Spray Gun
26B510	PerformAA 50 Air Assist Spray Gun
XTR521	XTR-5 Airless Spray Gun
H85M10	Pro Xp Air Assist Smart Electrostatic Spray Gun

Accessories

238926	Back Pressure Regulator
102397	Fluid Gauge 3000 psi (206 bar, 20.6 MPa)
238890	Fluid Regulator
243340	Pail Cover with Agitator Use to agitate material in a 5 gal (18.9 l) pail
222121	Fluid Regulator, Stainless Steel Maximum working pressure: 1500 psi (103 bar, 10.3 MPa) Regulator range: 150-1200 psi (10-28 bar, 1-8.2 MPa)
24A587	Pump Outlet Fluid Filter, Stainless Steel 60 mesh (250 micron), 5000 psi (350 bar, 25 MPa)
256425	Fluid Filter Drain Valve, Stainless Steel 5000 psi (350 bar, 35 MPa)
224458	Replacement Filter Screen Element 3-pack elements, 30 mesh, SST
224459	Replacement Filter Screen Element 3-pack elements, 60 mesh, SST
24A540	Air Control Gauge Covers 5 sheets of 10 covers
24B187	Second AA Gun Kit Includes air regulator and gauge
239850	Heater 120 (v)
239851	Heater 240 (v)
24E298	Overflow Chamber Kit

DataTrak

24A575	Upgrade Kit for 400 cc Air Motors
24A576	Upgrade Kit for 700 cc, 1200 cc and 1800 cc Air Motors
24A592	Upgrade Kit for DataTrak with Cycle Count Only

Suction Hoses

24A954	55 gal (208 l) Drum Suction Hose and Strainer, 3/4 in fluid inlet
24B598	55 gal (208 l) Drum Suction Hose and Strainer, 1 in fluid inlet
24B424	PTFE Lined Suction Hose for 5 gal (19 l) Pails and Strainer, 3/4 in inlet
24B425	PTFE Lined Suction Hose for 5 gal (19 l) Pails and Strainer, 1 in inlet

Gun Hoses

256390	25 ft Air Hose
241812	25 ft Fluid Hose: 3300 psig (228 bar)
24A955	50 ft Bundled Air and Fluid Hose: 3300 psig (228 bar)
256389	50 ft Air Hose
24B562	50 ft Fluid Hose: 3300 psig (228 bar)
24A588	Hose Clips: Pack of 10

PTFE Seals

24J858*	Reinforced PTFE V-Packing Kit for 50 cc Displacement Pump
24J859*	Reinforced PTFE V-Packing Kit for 100 cc Displacement Pump
24J860*	Reinforced PTFE V-Packing Kit for 150 cc Displacement Pump
24J850*	PTFE Bellows Kit for 50 cc Displacement Pump
24J851*	PTFE Bellows Kit for 100 cc and 150 cc Displacement Pump

Instruction and Parts Manuals

312799	Merkur Bellows AA and Airless Spray Package
312798	Merkur Electrostatic Spray Package
312795	Merkur Bellows Pump Assembly
312793	Merkur Bellows Displacement Pump
312796	Merkur Air Motor

*Use with materials that cause chemical compatibility concerns with UHMWPE, such as acid catalyst materials

Glutton Bellows Ordering Information and Accessories

Accessories

206221	Glutton Wall Bracket
102969	Loctite® High Strength Sealant To secure piston shafts to the piston stud.
223319	Return Tube Kit for returning circulated fluid back to a 55 gal drum Includes SST return tube, SST bushing and SST elbow
208259	55 Gallon (200 Liter) Suction Kit Suction hose (3/4 in ID x 6 ft (1.8 m)), elbow, bung adapter, riser tube, 3/4 in npt(f) outlet fitting.
204385	Elevator with Fixed Mounting Use with 237949 and 237579 to raise and lower pump when changing drums
237949	Stainless Steel Drum Cover Kit (55 gal) Includes SST drum cover, agitator gasket, access hole plug and fasteners
237579	Air Control Kit for 204385 elevator to raise and lower drum cover
222345	Air Filter/Regulator/Lubricator Kit
17W667	Air Valve Conversion Kit, Standard
17W668	Air Valve Conversion Kit, Data Trak

Replacement Parts

24C134	Piston Seals and Bellows Kit – UHMWPE
24C135	Piston Seals and Bellows Kit – Nylon
220658	Piston Seal Kit – Urethane
221134	Carbide Ball and Seat Kit (2 each)
189432	Fluid Piston – SST
686499	Fluid Piston – Ceramic



Glutton Bellows Ordering Information and Accessories

Part Number	Construction		Seal		Pump Ratio			Output per Cycle			Max Working Pressure			Max Air Inlet			Output @ 60 CPM			Pump Inlet Size		Pump Outlet Size		Basic or Advanced	
	CS	Stainless Steel	UHMWPE	Nylon	4:1	12:1	25:1	58cc	128cc	355cc	400 psi (28 bar)	1200 psi (83 bar)	2500 psi (170 bar)	100 psi (7 bar)	0.9 gpm (3.4 lpm)	2 gpm (7.5 lpm)	5.6 gpm (21.2 lpm)	1.25" npt(f)	3/4" npt(f)	1" npt(f)	Basic	Advanced			
220663	•		•		•				•	•			•			•	•			•	•				
220664	•		•			•			•		•		•			•	•			•	•				
220665	•		•				•	•				•	•			•	•			•	•				
220666		•	•		•				•	•			•			•	•			•	•				
220667		•	•			•			•		•		•			•	•			•	•				
220668		•	•				•	•				•	•			•	•			•	•				
237008	•			•	•				•	•			•			•	•			•	•				
237009	•			•		•			•		•		•			•	•			•	•				
237011		•		•	•				•	•			•			•	•			•	•				
237012		•		•		•			•		•		•			•	•			•	•				
237013		•		•			•	•				•	•			•	•			•	•				
17W012		•	•		•				•	•			•			•	•			•		•			
17W013		•	•			•			•		•		•			•	•			•		•			
17W014		•	•				•	•				•	•			•	•			•		•			



All written and visual data contained in this document are based on the latest product information available at the time of publication. Graco reserves the right to make changes at any time without notice.

Call today for product information or to request a demonstration.
877.84GRACO (1-877-844-7226) or visit us at www.graco.com/finishing.

©2021 Graco Inc. 344834 Rev F. Electronic Copy Only. All written and visual data contained in this document are based on the latest product information available at the time of publication. Graco reserves the right to make changes at any time without notice. All other brand names or marks are used for identification purposes and are trademarks of their respective owners.

