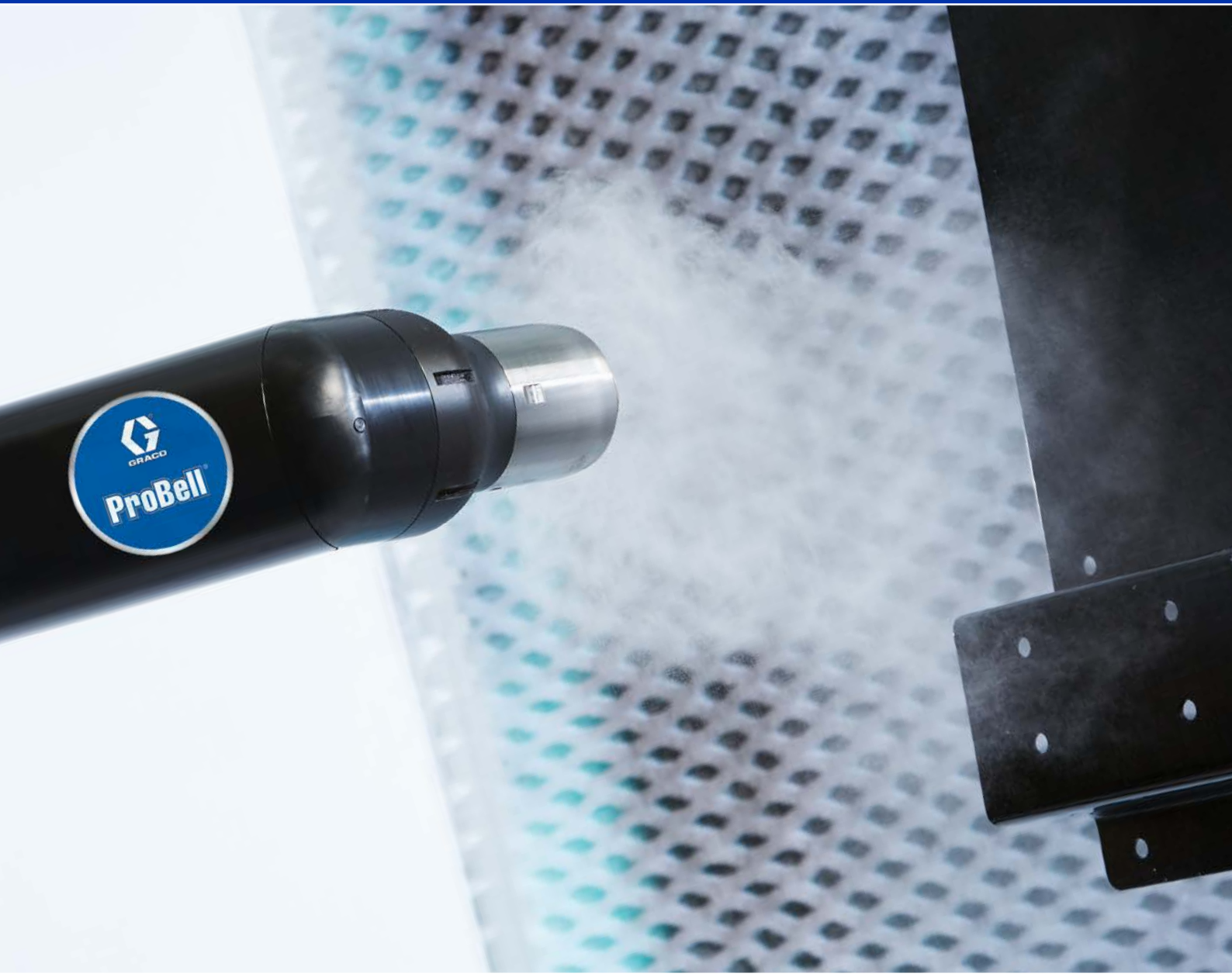




ProBell™ Atomizer

Optimize Atomization for Industrial Finishing Automation



PROVEN QUALITY. LEADING TECHNOLOGY.

Meeting You Where You're at with Automation

ProBell rotary bell atomizers offer high performance spraying with intuitive controls and a scalable design.

With the flexibility to start small with one applicator or install a complete system all at once, accommodating your installation and budget has never been easier.



SCALABLE

Modularity meets your production needs and budget – big or small

SIMPLE INSTALLATION

Easy system integration with existing PLC or new installation

USER-FRIENDLY CONTROLS

Controller interface allows operators to easily manage spray parameters

DURABLE & SAFE

Low voltage cable and adjustable arc detection settings ensure safety and reliability

OPTIMIZED PRODUCTION

Precision balanced for low vibration up to 60,000 RPMs achieves high production speeds

Superior Paint Atomization on Robots or Reciprocators

ProBell not only delivers high transfer efficiency and precision spraying, the rotary bell atomizer is lightweight and compact for low payload robots or reciprocators.

High Transfer Efficiency With Electrostatics

Combining rotary bell atomization with electrostatic technology is proven to provide up to 95 percent transfer efficiency.

The ProBell electrostatic applicator comes in two versatile styles:

- The standard model fits on a solid wrist robot, reciprocator or fixed mount.
- The hollow wrist robot model makes maintenance easy with a quick disconnect plate that allows you to remove the applicator from the robot without touching hose connections.



SOLID WRIST ROBOT



HOLLOW WRIST ROBOT



RECIPROCATOR OR FIXED MOUNT



NON-ELECTROSTATIC

Fine Finish Without Extras

For automated finishing operations that would like the fine atomization of a rotary bell cup without electrostatics, Graco offers a non-electrostatic model. With fewer parts and a smaller price tag than the electrostatic ProBell, the conventional rotary bell atomizer adds less weight to solid wrist robots, reciprocators, fixed mounts, and hollow wrist robots.

Designed for Performance

Each ProBell rotary bell applicator delivers superior quality, precision spraying with uniform atomization and an easily adjustable spray pattern for the most demanding finishing applications.

All components are made of high quality, durable materials for safe, trouble-free operation.

FLEXIBLE

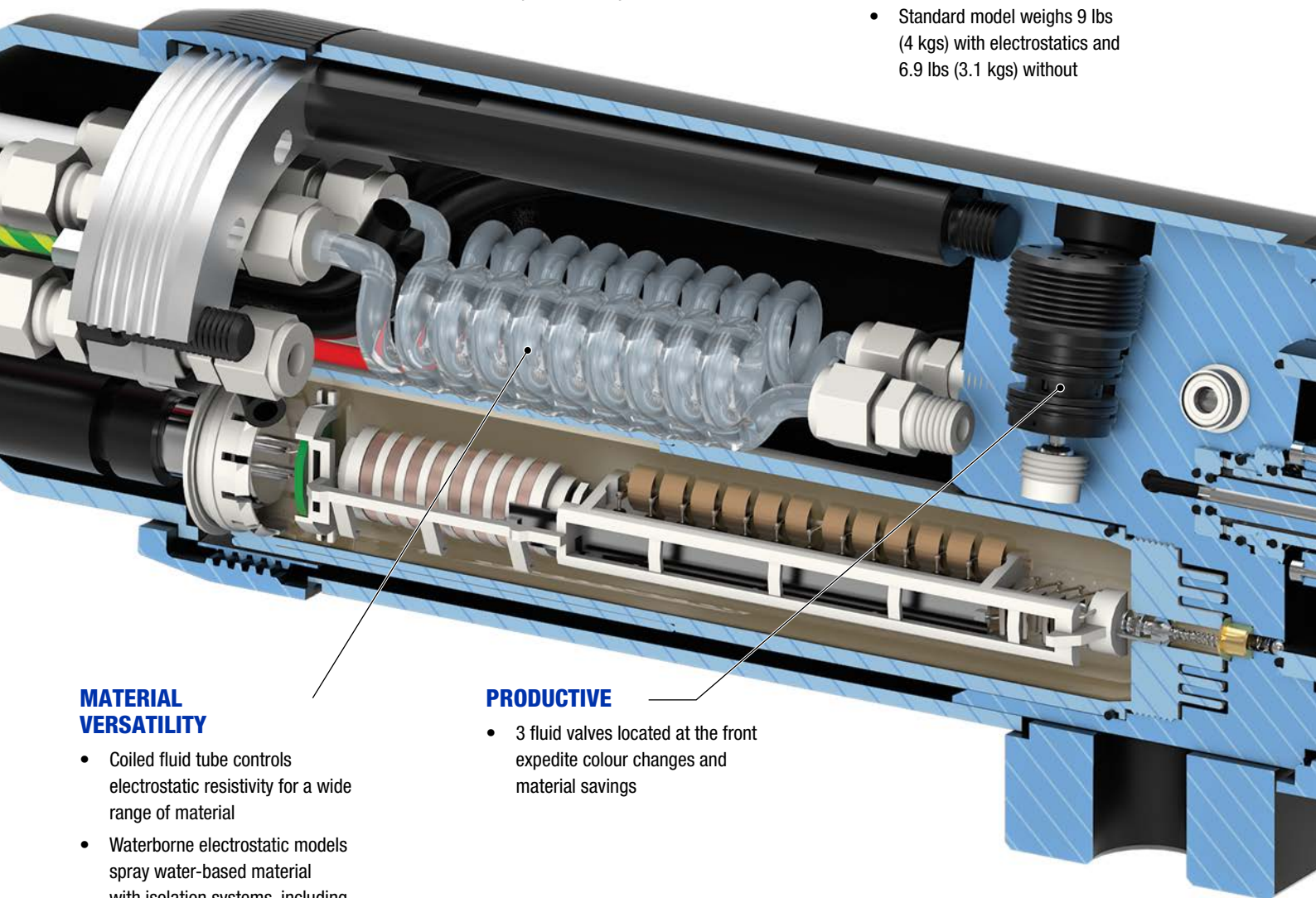
- Mounting styles include hollow wrist robot, solid wrist robot, fixed or reciprocator mount

EASY TO SERVICE

- Hollow wrist robot model connects hoses with a quick disconnect plate
- Removable shroud allows for access to key components
- Few parts make maintenance quick and easy

COMPACT & LIGHTWEIGHT

- Small size and diameter allow for spraying in tight spaces
- Hollow wrist robot model weighs 13.5 lbs (6.1 kgs) with electrostatics and 12.7 lbs (5.8 kgs) without
- Standard model weighs 9 lbs (4 kgs) with electrostatics and 6.9 lbs (3.1 kgs) without



MATERIAL VERSATILITY

- Coiled fluid tube controls electrostatic resistivity for a wide range of material
- Waterborne electrostatic models spray water-based material with isolation systems, including Graco's HydroShield

PRODUCTIVE

- 3 fluid valves located at the front expedite colour changes and material savings

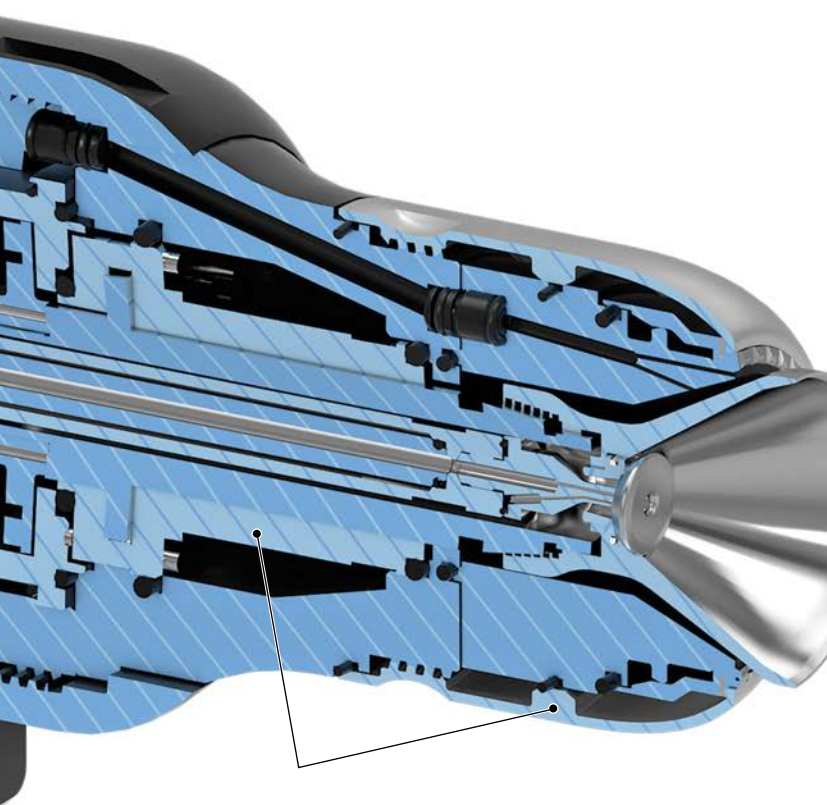
SAFE

- 100 kV power supply with a low voltage cable connection improves safety while reducing system complexity
- Arc detection shuts off electrostatics, ensuring a safe environment

Blended Shaping Air Optimizes Transfer Efficiency

Blended shaping air optimizes paint atomization, pattern shape and transfer efficiency for excellent overall finish quality.

Inner shaping air and outer shaping air work together to drive paint to the part and adjust the paint spray pattern. This combination works especially well for finishing many different parts and complex shapes.



DURABLE

- Stainless steel air cap cover protects bell cup and air cap
- Air bearing has no parts to wear out
- Turbine assembly is a proven design

Precision Bell Cups

ProBell rotary bell cups precisely atomize many types of coatings into a variety of pattern sizes and flow rates.

Pre-configured applicators include metal bell cups with serrated edges and standard plated surfaces. You also can choose a metal bell cup without serrations or a smooth edge composite construction bell cup.

All metal bell cups have an aluminum core with a plated surface (standard or high wear for abrasive materials).



SMOOTH BELL CUP

The durable smooth edge cup works well for many metallics.



SERRATED BELL CUP

The serrated cup edge has equally spaced axial grooves that act as channels for paint flow. This produces uniform particles - ideal for atomizing difficult material like clear coats.



Certification

BELL CUP CERTIFICATION

Every bell cup must be tested and certified before it's delivered to you. ProBell rotary atomizer test certification indicates the spray pattern size and precision balanced cup meet stringent Graco requirements.

Think Big. Start Small.

Easily Expand your Control Options

Not everyone has the need or budget for a fully-decked out system. Graco's unique approach to rotary atomizers makes it easier for you to get exactly what you need without breaking the bank. The scalable design allows you to start small with 1 controller and work your way up to 4 to further improve performance and data management. These user-friendly controls are easy to learn and operate.

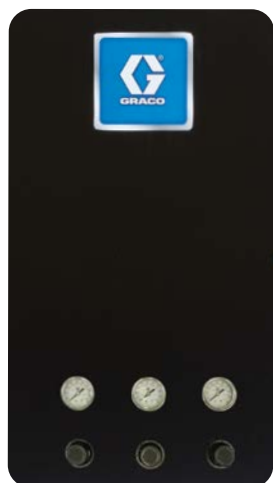


Electrostatic Controller

Precise control is critical to your rotary atomizer application.

Our electrostatic controller keeps you connected to what's going on every minute of every day, detects unsafe electrostatic conditions and allows you to change parameters on the fly to improve performance.

- Voltage and current can be independently adjusted to meet specific manufacturing requirements
- Full system integration with PLC or switch box control
- Improves safety by automatically shutting off electrostatics when the part is too close to the gun



Air Controller

- Electronic Model: Precision operation and communication for all air controls
- Manual Model: Individual regulators for air control

Speed Controller

- Precise management of turbine speed for superior material atomization
- A magnetic speed reader in the bell provides reliable communication
- System logic controller provides user friendly operation





System Logic Controller

The key to the System Logic Controller is its ability to control and manage your ProBell with the touch of a button.

- User-friendly operation of all system functions
- Eliminate guesswork with maintenance reminders and system logs
- Runs two ProBell applicators from one controller
- Provides centralized control of ProBell and fluid management when used with ProMix PD2K Integrated Proportioner

With 99 presets, the shaping airs, bell rotational speed, and electrostatics can be precisely set for various part configurations.



Intuitive controls allow for simple operation of spray function, such as cup wash, purging and flushing.



One screen shows exactly how your ProBell is functioning – spraying and electrostatics.

Ordering Information

Choose a pre-configured system, and you'll get all the components you need – the applicator, hoses and controllers. Or build a custom system that is as unique as your application. Whatever you choose, Graco has you covered.

All systems are built on a cart with hoses and lines connected to the mounted controllers. Once the system arrives at your facility, simply position the cart booth side, mount the ProBell applicator and connect lines to the ProBell and fluid source. Installation made easy!

Select a Pre-Configured System

With this option, it only takes one part number to order a complete ProBell system.

Simply find the system and part number that best matches your requirements.

Solventborne ProBell Systems include: applicator, 20 meter (65ft) hose bundle, cart with electrostatic controller, speed controller, electronic air controller, system logic controller, and filtration system.

SOLVENTBORNE SYSTEMS							
Hollow Wrist Robot Applicator Systems				Standard Bell Applicator Systems			
System Part number	Bell cup size	Nozzle size	Applicator Part number	System Part number	Bell cup size	Nozzle size	Applicator Part number
P1A230	15 mm	0,75 mm	R1A230	P1A130	15 mm	0,75 mm	R1A130
P1A240	15 mm	1,0 mm	R1A240	P1A140	15 mm	1,0 mm	R1A140
P1A250	15 mm	1,25 mm	R1A250	P1A150	15 mm	1,25 mm	R1A150
P3A230	30 mm	0,75 mm	R3A230	P3A130	30 mm	0,75 mm	R3A130
P3A240	30 mm	1,0 mm	R3A240	P3A140	30 mm	1,0 mm	R3A140
P3A250	30 mm	1,25 mm	R3A250	P3A150	30 mm	1,25 mm	R3A150
P3A260	30 mm	1,5 mm	R3A260	P3A160	30 mm	1,5 mm	R3A160
P5A240	50 mm	1,0 mm	R5A240	P5A140	50 mm	1,0 mm	R5A140
P5A250	50 mm	1,25 mm	R5A250	P5A150	50 mm	1,25 mm	R5A150
P5A260	50 mm	1,5 mm	R5A260	P5A160	50 mm	1,5 mm	R5A160

Waterborne ProBell Systems include: applicator, 20 meter (65ft) hose bundle, cart with electrostatic controller, speed controller, electronic air controller, system logic controller, and filtration system. Waterborne ProBell System hose bundles do not include paint, dump, or solvent fluid lines.

WATERBORNE SYSTEMS							
Hollow Wrist Robot Applicator Systems				Standard Bell Applicator Systems			
System Part Number	Bell Cup Size	Nozzle Size	Applicator Part Number	System Part Number	Bell Cup Size	Nozzle Size	Applicator Part Number
P1A238	15 mm	0,75 mm	R1A238	P1A138	15 mm	0,75 mm	R1A138
P1A248	15 mm	1,0 mm	R1A248	P1A148	15 mm	1,0 mm	R1A148
P1A258	15 mm	1,25 mm	R1A258	P1A158	15 mm	1,25 mm	R1A158
P3A238	30 mm	0,75 mm	R3A238	P3A138	30 mm	0,75 mm	R3A138
P3A248	30 mm	1,0 mm	R3A248	P3A148	30 mm	1,0 mm	R3A148
P3A258	30 mm	1,25 mm	R3A258	P3A158	30 mm	1,25 mm	R3A158
P3A268	30 mm	1,5 mm	R3A268	P3A168	30 mm	1,5 mm	R3A168
P5A248	50 mm	1,0 mm	R5A248	P5A148	50 mm	1,0 mm	R5A148
P5A258	50 mm	1,25 mm	R5A258	P5A158	50 mm	1,25 mm	R5A158
P5A268	50 mm	1,5 mm	R5A268	P5A168	50 mm	1,5 mm	R5A168



Or Design a Custom System

1 Choose Controllers

CONTROLLERS

Part Number	Controller
24Z261	Control Cart with Electrostatic Controller, Solventborne, Speed Controller, Electronic Air Controller, System Logic Controller and Air Filtration
24Z717	Control Cart with Electrostatic Controller, Waterborne, Speed Controller, Electronic Air Controller, System Logic Controller and Air Filtration
25T742	Non-Electrostatic Control Cart with Speed Controller, Electronic Air Controller, System Logic Controller and Air Filtration
24Z098	Electrostatic Controller, Solventborne Includes Power Supply Cord and I/O Cable
24Z099	Electrostatic Controller, Waterborne Includes Power Supply Cord and I/O Cable
24Z219	Speed Controller with System Logic Controller, Power Supply and CAN cables
24Z220	Speed Controller
24Z221	Manual Air Controller
24Z222	Electronic Air Controller
24Z223	System Logic Controller
25C822	Air Filtration Kit

Ordering Information



2 Choose an Applicator

NON-ELECTROSTATIC

SOLID WRIST ROBOT

RECIPROCATOR OR FIXED MOUNT

HOLLOW WRIST ROBOT

SOLVENTBORNE

Hollow Wrist Robot Applicator Models

Part number	Bell cup size*	Nozzle size
R5A240	50 mm	1,0 mm
R5A250	50 mm	1,25 mm
R5A260	50 mm	1,5 mm
R3A230	30 mm	0,75 mm
R3A240	30 mm	1,0 mm
R3A250	30 mm	1,25 mm
R3A260	30 mm	1,5 mm
R1A230	15 mm	0,75 mm
R1A240	15 mm	1,0 mm
R1A250	15 mm	1,25 mm

Standard Bell Applicator Models

Part number	Bell cup size*	Nozzle size
R5A140	50 mm	1,0 mm
R5A150	50 mm	1,25 mm
R5A160	50 mm	1,5 mm
R3A130	30 mm	0,75 mm
R3A140	30 mm	1,0 mm
R3A150	30 mm	1,25 mm
R3A160	30 mm	1,5 mm
R1A130	15 mm	0,75 mm
R1A140	15 mm	1,0 mm
R1A150	15 mm	1,25 mm

WATERBORNE

Hollow Wrist Robot Applicator Models

Part number	Bell cup size*	Nozzle size
R5A248	50 mm	1,0 mm
R5A258	50 mm	1,25 mm
R5A268	50 mm	1,5 mm
R3A238	30 mm	0,75 mm
R3A248	30 mm	1,0 mm
R3A258	30 mm	1,25 mm
R3A268	30 mm	1,5 mm
R1A238	15 mm	0,75 mm
R1A248	15 mm	1,0 mm
R1A258	15 mm	1,25 mm

Standard Bell Applicator Models

Part number	Bell cup size*	Nozzle size
R5A148	50 mm	1,0 mm
R5A158	50 mm	1,25 mm
R5A168	50 mm	1,5 mm
R3A138	30 mm	0,75 mm
R3A148	30 mm	1,0 mm
R3A158	30 mm	1,25 mm
R3A168	30 mm	1,5 mm
R1A138	15 mm	0,75 mm
R1A148	15 mm	1,0 mm
R1A158	15 mm	1,25 mm

NON-ELECTROSTATIC

Hollow Wrist Robot Applicator Models

System Part number	Bell cup size*	Nozzle size
R5A241	50 mm	1,0 mm
R5A251	50 mm	1,25 mm
R5A261	50 mm	1,5 mm
R3A231	30 mm	0,75 mm
R3A241	30 mm	1,0 mm
R3A251	30 mm	1,25 mm
R3A261	30 mm	1,5 mm
R1A231	15 mm	0,75 mm
R1A241	15 mm	1,0 mm
R1A251	15 mm	1,25 mm

Standard Bell Applicator Models

System Part number	Bell cup size*	Nozzle size
R5A141	50 mm	1,0 mm
R5A151	50 mm	1,25 mm
R5A161	50 mm	1,5 mm
R3A131	30 mm	0,75 mm
R3A141	30 mm	1,0 mm
R3A151	30 mm	1,25 mm
R3A161	30 mm	1,5 mm
R1A131	15 mm	0,75 mm
R1A141	15 mm	1,0 mm
R1A151	15 mm	1,25 mm

*Bell cup is aluminium serrated on all applicator models

3 Choose Hose and Cable Length

SOLVENTBORNE AND WATERBORNE COMPLETE HOSE BUNDLES*

Solventborne	Waterborne	Description
24Z168	24Z711**	Hose bundle 11 m (35 ft)
24Z169	24Z712**	Hose bundle 20 m (65 ft)
24Z170	24Z713**	Hose bundle 30 m (100 ft)

* Includes 9 air lines, 3 PTFE fluid lines, power supply cable, fiber optic cable and ground wire
 ** Waterborne does not include fluid lines, must be ordered separately

NON-ELECTROSTATIC HOSE BUNDLES

Hollow Wrist Robot Applicator Models

Air and Fluid Bundle†	Air only Bundle**	Description
25T743	25T746	Hose bundle 11 m (35 ft)
25T744	25T747	Hose bundle 20 m (65 ft)
25T745	25T748	Hose bundle 30 m (100 ft)

† Includes 9 air lines, 3 PTFE fluid lines, fiber optic cable and ground wire
 ** Includes 9 air lines, fiber optic cable and ground wire

INDIVIDUAL FLUID HOSES

Waterborne Fluid Hose Kits (Shielded)

Hollow Wrist	Standard Model	Description
24Z199	17L886	Hose, fluid, shielded, 11 m (35 ft)
24Z200	17L887	Hose, fluid, shielded, 20 m (65 ft)

Waterborne Fluid Hose Kits (Unshielded)

Hollow Wrist	Standard Model	Description
24Z201	17L884	Hose, fluid, unshielded, 11 m (35 ft)
24Z202	17L885	Hose, fluid, unshielded, 20 m (65 ft)

INDIVIDUAL CABLES

Electrostatic Power Cable from Electrostatic Controller to Applicator

Part number	Description
17J586	Power Cable 11 m (35 ft)
17J588	Power Cable 20 m (65 ft)
17J589	Power Cable 30 m (100 ft)

Fibre Optic Cable from Speed Controller to Applicator

Hollow Wrist	Standard Model	Description
24Z193	24Z190	Fibre Optic Cable 11 m (35 ft)
24Z194	24Z191	Fibre Optic Cable 20 m (65 ft)
24Z195	24Z192	Fibre Optic Cable 30 m (100 ft)

4 Determine Installation Needs

MOUNTING BRACKETS

24Z178	Reciprocator Rod Mounting Bracket
24Z179	60 Degree Solid Wrist Robot Mount Bracket
17H288	Electrostatic Controller Wall Mount Bracket

PROBELL GATEWAY INSTALLATION KIT**

24Z574	Includes: CAN Cable, Cable Gland, Gateway Token
--------	---

**Required for use with a Gateway Kit

GATEWAY KITS

24W462	ModbusTCP
CGMDN0	DeviceNet®
CGMEP0	EtherNetIP®
CGMPN0	PROFINET®

ROBOT ADAPTORS

24Y128	Motoman EXP1250
24Y129	Motoman PX1450 and PX2850
24Y634	Motoman EXP2050
24Y650	Motoman EXP2700, 2800 and 2900
24Y768	Fanuc Paint Mate 200iA and 200iA/5L
24Y769	Fanuc P-50 and P-250
24Y172	ABB IRB 540
24Y173	ABB IRB 1400
24Y634	ABB IRB 580 and 5400



ALUMINIUM HIGH WEAR
SERRATED



ALUMINIUM SERRATED



COMPOSITE SMOOTH



ALUMINIUM SMOOTH

Ordering Information

5 Determine Accessories

BELL CUPS

Part Number	Size	Air Cap & Cover	Material	Edge Type	Flow Rate	Pattern Size
24Z081	50 mm	25T684	Aluminium* Standard	Smooth	50–500 cc per min	4-18 in (10-45 cm)
24Z084***	50 mm		Aluminium* Standard	Serrated	50–500 cc per min	
24Z085	50 mm		Aluminium* High Wear	Serrated	50–500 cc per min	
24Z083	50 mm		Composite	Smooth	50–500 cc per min	
24Z076	30 mm	25T683	Aluminium* Standard	Smooth	25–400 cc per min	4-12 in (10-30 cm)
24Z079***	30 mm		Aluminium* Standard	Serrated	25–400 cc per min	
24Z080	30 mm		Aluminium* High Wear	Serrated	25–400 cc per min	
24Z078	30 mm		Composite	Smooth	25–400 cc per min	
24Z086	15 mm	25T682	Aluminium* Standard	Smooth	25–100 cc per min	< 4 in (5-10 cm)
24Z088***	15 mm		Aluminium* Standard	Serrated	25–100 cc per min	
24Z089	15 mm		Aluminium* High Wear	Serrated	25–100 cc per min	
24Z087	15 mm		Composite	Smooth	25–100 cc per min	

***Included with applicator

*Bell cups have an aluminum core and plated surface

ACCESSORIES

24Z177	Gun Cover Standard Model (Qty 10)
24Z176	Gun Cover Hollow Wrist Robot Model (Qty 10)
24Z183	Reflective Speed Sensing Kit

NOZZLES

25C206	0.75 mm
25C207	1.0 mm
25C208	1.25 mm

Technical Specifications

PROBELL ROTARY APPLICATOR

Maximum air working pressure	7.0 bar, 0.7 MPa (100 psi)
Maximum fluid working pressure	10.3 bar, 1.0 MPa(150 psi)
Bearing air – minimum required	5.0 bar, 0.5 MPa (70 psi)
Turbine speed – maximum operating	60,000 rpm
Viscosity range	30-150 centistokes
Maximum flow rate, 50 mm cup	500 cc/min
Maximum flow rate, 30 mm cup	400 cc/min
Maximum flow rate, 15 mm cup	100 cc/min
Maximum voltage output	100 kV for solventborne systems 60 kV for waterborne systems
Maximum current draw	150 micro-amperes
Applicator weight	Hollow Wrist Model (6kg) 13.5 lbs Standard Model 4 kg (9 lbs)
Paint resistivity range	1 megohm/cm to infinity

RELATED MANUALS

Manual	Description
3A4232	ProBell Cart Systems
334452	ProBell Rotary Applicator
334626	ProBell Rotary Applicator, Hollow Wrist
3A3657	ProBell Electrostatic Controller
3A3953	ProBell Speed Controller
3A3954	ProBell Air Controller
3A3955	ProBell System Logic Controller

Notes

The page features a decorative header with a blue background and the word "Notes" in white. Below the header, there is a pattern of light gray dots that fades out towards the right. The main body of the page is filled with horizontal blue lines, providing a space for writing notes.



ABOUT GRACO

Founded in 1926, Graco is a world leader in fluid handling systems and components. Graco products move, measure, control, dispense and apply a wide range of fluids and viscous materials used in vehicle lubrication, commercial and industrial settings.

The company's success is based on its unwavering commitment to technical excellence, world-class manufacturing and unparalleled customer service. Working closely with qualified distributors, Graco offers systems, products and technology that set the quality standard in a wide range of fluid handling solutions. Graco provides equipment for spray finishing, protective coating, paint circulation, lubrication, and dispensing sealants and adhesives, along with power application equipment for the contractor industry. Graco's ongoing investment in fluid management and control will continue to provide innovative solutions to a diverse global market.

GRACO LOCATIONS

MAILING ADDRESS

P.O. Box 1441
Minneapolis, MN 55440-1441
Tel: 612-623-6000
Fax: 612-623-6777

AMERICAS

MINNESOTA

Worldwide Headquarters
Graco Inc.
88-11th Avenue N.E.
Minneapolis, MN 55413

EUROPE

BELGIUM

European Distribution Center
Graco Distribution BV
Industrieterrein-Oude Bunders
Slakweidestraat 31
3630 Maasmechelen,
Belgium
Tel: 32 89 770 700
Fax: 32 89 770 777

ASIA PACIFIC

AUSTRALIA

Graco Australia Pty Ltd.
Suite 17, 2 Enterprise Drive
Bundoora, Victoria 3083
Australia
Tel: 61 3 9468 8500
Fax: 61 3 9468 8599

CHINA

Graco Fluid Equipment
(Shanghai) Co.,Ltd
Building 7, No. 1-2,
Wenshui Road 299
Jing'an District
Shanghai 200436
P.R. China
Tel: 86 512 6260 5711
Fax: 86 21 6495 0077

INDIA

Graco Hong Kong Ltd.
India Liaison Office
Room 432, Augusta Point
Regus Business Centre 53
Golf Course Road
Gurgaon, Haryana
India 122001
Tel: 91 124 435 4208
Fax: 91 124 435 4001

JAPAN

Graco K.K.
1-27-12 Hayabuchi
Tsuzuki-ku
Yokohama City, Japan 2240025
Tel: 81 45 593 7300
Fax: 81 45 593 7301

KOREA

Graco Korea Inc.
38, Samsung 1-ro 1-gil
Hwaseong-si,
Gyeonggi-do, 18449
Republic of Korea
Tel: 82 31 8015 0961
Fax: 82 31 613 9801

All written and visual data contained in this document are based on the latest product information available at the time of publication. Graco reserves the right to make changes at any time without notice.

Graco is certified ISO 9001.



Europe
+32 89 770 700
FAX +32 89 770 777
WWW.GRACO.COM

©2017 Graco Distribution BV 345100ENEU Rev. G 03/22 Electronic version only.
All other brand names or marks are used for identification purposes and are trademarks of their respective owners.
For more information on Graco's intellectual property, see www.graco.com/patent or www.graco.com/trademarks.