

Medium Pressure BPRs

Improve Finishing Process Control



Medium Pressure BPRs

Improve Finishing Process Control

Consistent fluid control is crucial to guaranteeing quality from any finishing process.

Graco back pressure regulators (BPRs) maintain upstream fluid pressure, regardless of flow demand. This allows operators to trigger guns, valves and other flow controls without affecting system pressure.

Medium pressure options include three pneumatic (1000 psi, 2000 psi, 3000 psi) BPRs and one mechanical (3000 psi) BPR.

If your goal is to improve finishing process control, you will benefit from the pneumatic models' ability to:

- Interface with the Graco's Intelligent Paint Kitchen (IPK), controlling pressure and flow without human intervention
- Offer better resolution than other brands, adjusting more accurately to keep fluid pressure at desired levels

If you simply need to improve fluid control without having to add a compressed air line, you will benefit from the mechanical model's easy installation and spring operation.



25T477/25T478



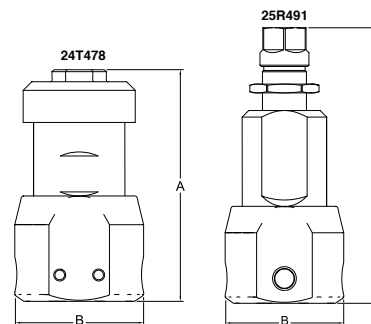
25R490



25R491

Dimensions

Part Number	Inlet	A	B
25T478	Air Operated Type	123 mm (4.84 in.)	60 mm (2.38 in.)
25T477	Air Operated Type	123 mm (4.84 in.)	60 mm (2.38 in.)
25R490	Air Operated Type	123 mm (4.84 in.)	60 mm (2.38 in.)
25R491	Air Operated Type	123 mm (4.84 in.)	60 mm (2.38 in.)



Ordering information

Part Number	Type	Maximum Pressure bar (psi)	Regulated Pressure bar (psi)	Flow Rate lmp (gpm)	Maximum Air Pressure bar (psi)	Inlet/Outlet Size	Wet Parts
25T478	Pneumatic	206.8 (3000)	6.9 – 68.9 (100 – 1000)	0 – 18.9 (0 – 5)	6.9 (100)	3/8 in. npt	Stainless Steel, Tungsten Carbide, PTFE, Acetal Homopolymer
25T477	Pneumatic	206.8 (3000)	17.2 – 137.9 (250 – 2000)	0 – 18.9 (0 – 5)	6.9 (100)	3/8 in. npt	
25R490	Pneumatic	206.8 (3000)	17.2 – 206.8 (250 – 3000)	0 – 18.9 (0 – 5)	6.9 (100)	3/8 in. npt	
25R491	Mechanical	206.8 (3000)	17.2 – 206.8 (250 – 3000)	0 – 18.9 (0 – 5)	6.9 (100)	3/8 in. npt	

Accessories

Part Number	Type	Inlet	Maximum WPR			Wetted Parts lmp (gpm)	Case Description	Case & Dial Diameter	Mount Style
105770	Stainless Steel Gauges	1/4 in. npt(m)	69 bar	1000 psi	6.9 MPa	0 – 18.9 (0 – 5)	SST liquid filled	2.5 mm (64 in.)	Bottom
17L706	Stainless Steel Gauges	1/4 in. npt(m)	200 bar	3000 psi	20 MPa	0 – 18.9 (0 – 5)	SST liquid filled	2.5 mm (64 in.)	Bottom

For installation and operation instructions, use manual 3A7681.

All written and visual data contained in this document are based on the latest product information available at the time of publication. Graco reserves the right to make changes at any time without notice.

Graco is certified ISO 9001.

GRACO DISTRIBUTION BV Industrieterrein Oude Bunders • Slakweidestraat 31 • B-3630 Maasmechelen
Tel: +32 (89) 770 700 • Fax: +32 (89) 770 777 • www.graco.com

©2021 GRACO DISTRIBUTION BV 345174ENEU Rev. B 11/21 Electronic version only.
All other brand names or marks are used for identification purposes and are trademarks of their respective owners.
For more information on Graco's intellectual property, see www.graco.com/patent or www.graco.com/trademarks.

