

Pump Manifold Assembly Kit

334561B

EN

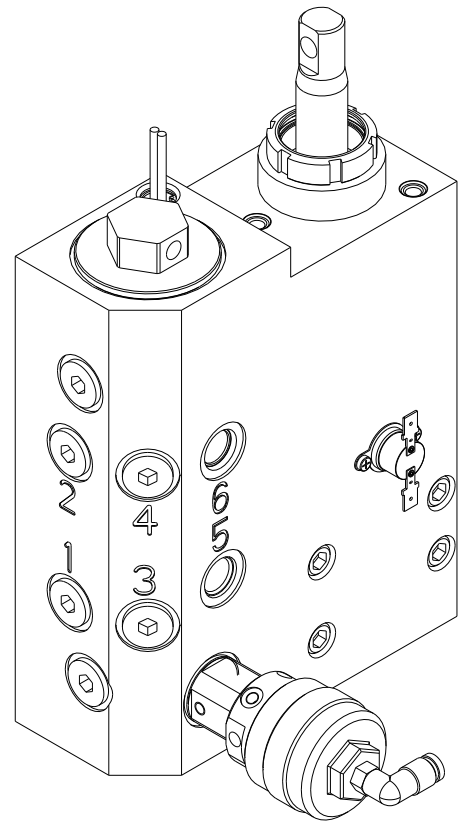
For replacing the pump manifold assembly found on the InvisiPac™ Tank-Free™ Hot Melt Delivery System.



Important Safety Instructions

Read all warnings and instructions in this manual and in the InvisiPac HM50 Tank-Free Hot Melt Delivery System, Instructions-Parts manual. Save all instructions.

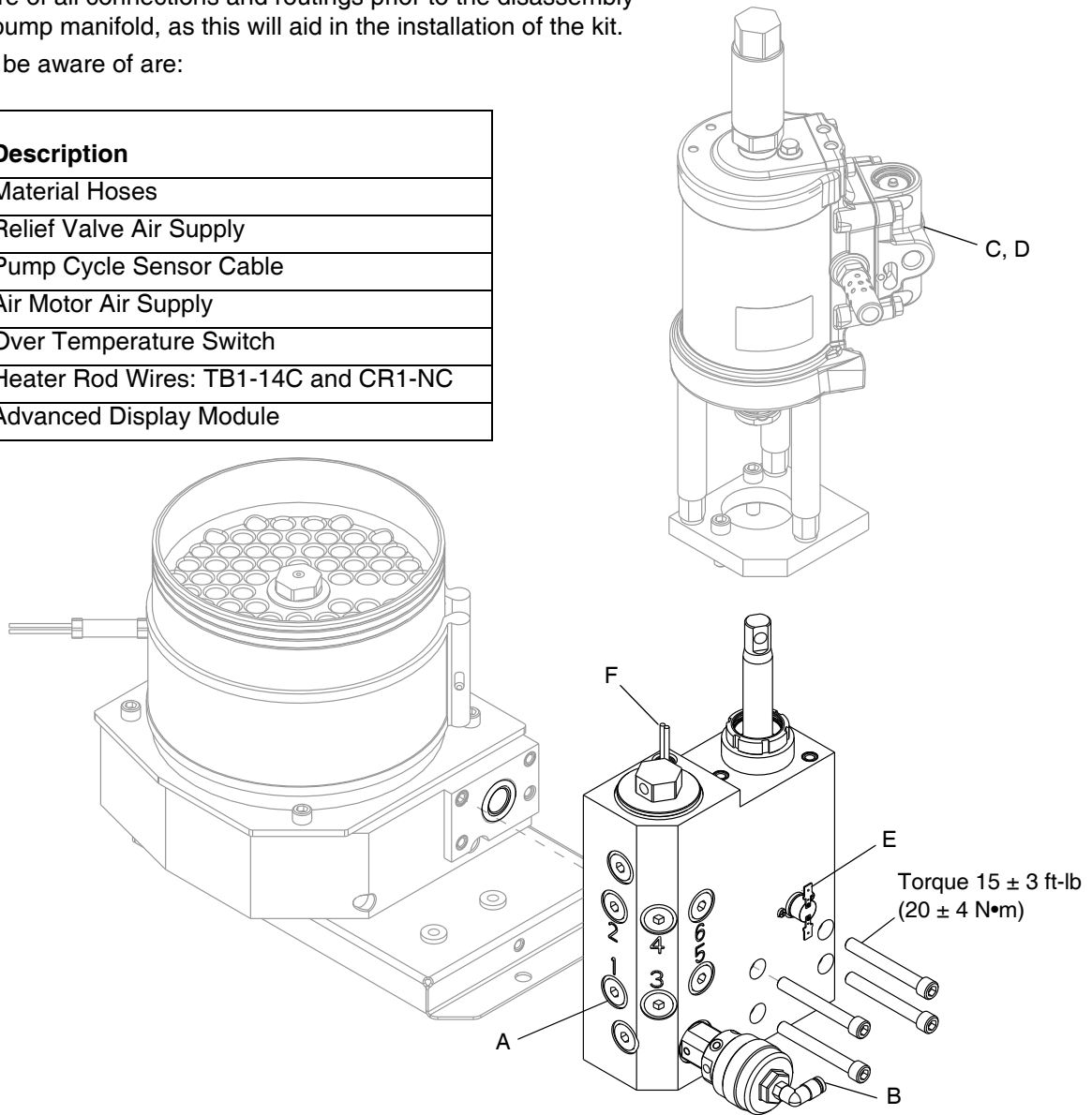
Kit 24R709



NOTE: Be aware of all connections and routings prior to the disassembly of the existing pump manifold, as this will aid in the installation of the kit.

Connections to be aware of are:

Connection Point	Description
A	Material Hoses
B	Relief Valve Air Supply
C	Pump Cycle Sensor Cable
D	Air Motor Air Supply
E	Over Temperature Switch
F	Heater Rod Wires: TB1-14C and CR1-NC
Not Shown	Advanced Display Module



Graco Information

Sealant and Adhesive Dispensing Equipment

For the latest information about Graco products, visit www.graco.com.

For patent information, see www.graco.com/patents.

TO PLACE AN ORDER, contact your Graco distributor, go to www.graco.com and select “Where to Buy” in the top blue bar, or call to find the nearest distributor.

If calling from the US: 800-746-1334

If calling from outside the US: 0-1-330-966-3000

All written and visual data contained in this document reflects the latest product information available at the time of publication. Graco reserves the right to make changes at any time without notice.

Original instructions. This manual contains English. MM 334561

Graco Headquarters: Minneapolis

International Offices: Belgium, China, Japan, Korea

GRACO INC. AND SUBSIDIARIES • P.O. BOX 1441 • MINNEAPOLIS MN 55440-1441 • USA

Copyright 2014, Graco Inc. All Graco manufacturing locations are registered to ISO 9001.

www.graco.com

Revision B, January 2017