

Reed Switch Kit

334562E

EN

For replacing the reed switch found on the InvisiPac™ Tank-Free™, Hot Melt Delivery, TOF, and LSR Systems.



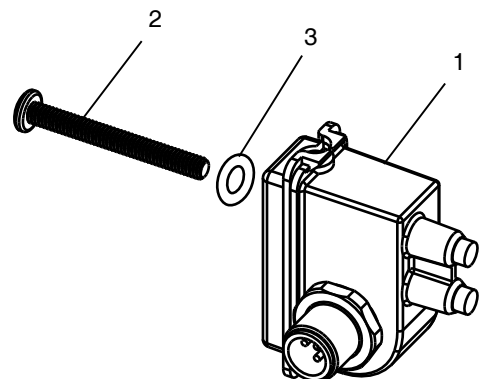
Important Safety Instructions

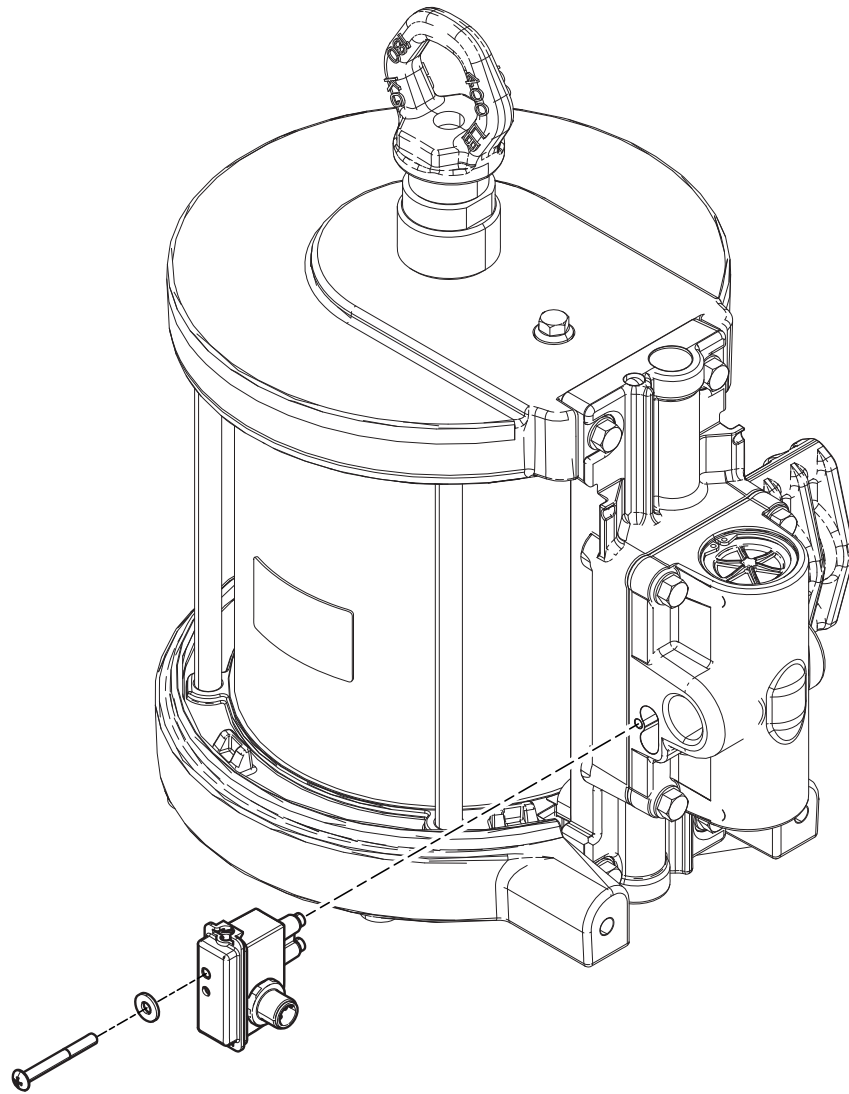
Read all warnings and instructions in the InvisiPac HM50 Tank-Free Hot Melt, TOF, and LSR Delivery Systems, Instructions-Parts manual. Save all instructions.

Kit 24R885

| Ref | Description | Qty |
|-----|----------------------------------|-----|
| 1 | SWITCH, reed assembly | 1 |
| 2 | SCREW, pan head, #8-32 x 1.5 in. | 1 |
| 3 | WASHER, flat | 1 |

NOTE: Torque screw to 8-10 in-lb (0.9-1.1 N•m)





Technical Data

Ex Ratings

Classification "simple apparatus" in accordance with UL/EN/IEC 60079-11, clause 5.7

Class I, Div 1, Group A, B, C, D T4
 $-40^{\circ}\text{C} \leq T_a \leq 60^{\circ}\text{C}$



II 1 G
 Ex ia IIC T4 Ga
 $-40^{\circ}\text{C} \leq T_a \leq 60^{\circ}\text{C}$

Parameters $U_i = 45 \text{ V}$

$I_i = 250 \text{ mA}$

$P_i = 1.2 \text{ W}$

$C_i = 100 \text{ pF}$

$L_i = 0.4 \text{ }\mu\text{H}$

Graco Information

Sealant and Adhesive Dispensing Equipment

For the latest information about Graco products, visit www.graco.com.

For patent information, see www.graco.com/patents.

TO PLACE AN ORDER, contact your Graco distributor, go to www.graco.com and select “Where to Buy” in the top blue bar, or call to find the nearest distributor.

If calling from the US: 800-746-1334

If calling from outside the US: 0-1-330-966-3000

*All written and visual data contained in this document reflects the latest product information available at the time of publication.
Graco reserves the right to make changes at any time without notice.*

Original instructions. This manual contains English. MM 334562

Graco Headquarters: Minneapolis

International Offices: Belgium, China, Japan, Korea

GRACO INC. AND SUBSIDIARIES • P.O. BOX 1441 • MINNEAPOLIS MN 55440-1441 • USA

Copyright 2014, Graco Inc. All Graco manufacturing locations are registered to ISO 9001.

www.graco.com

Revision E, August 2020