

Funnel Kit

334563B

EN

For replacing the funnel assembly found on the InvisiPac™ HM50 Tank-Free™ Hot Melt Delivery System.



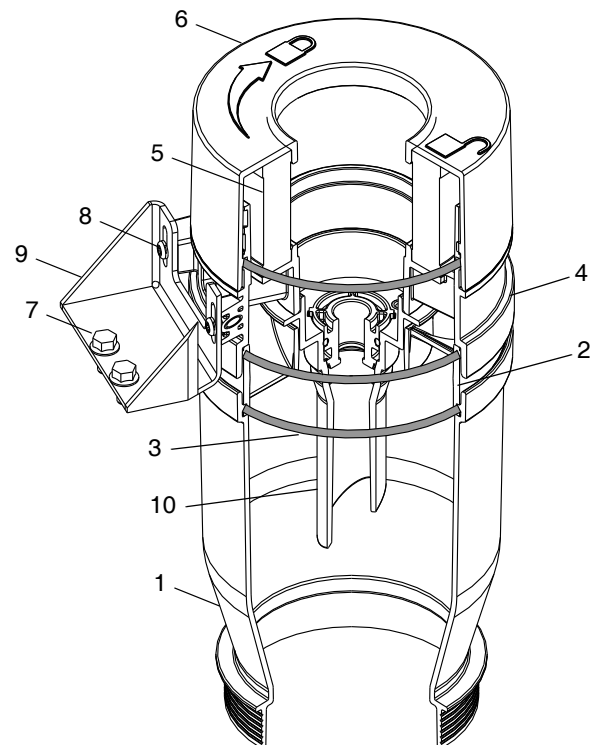
Important Safety Instructions

Read all warnings and instructions in the InvisiPac HM50 Tank-Free Hot Melt Delivery System, Instructions-Parts manual. Save all instructions.

Kit 24V505

Ref	Part	Description	Qty
1	---	FUNNEL, large mouth	1
2	---	BAFFLE, pellet	1
3	---	O-RING, fluoroelastomer, 160	3
4	278729	FUNNEL, insert	1
5	24V506	FILTER, feed	1
6	---	FUNNEL, filter cover	1
7	113161	SCREW, flange, hex head	2
8	---	SCREW, #10-16, thread forming	5
9	---	BRACKET, funnel, mounting	1
10	---	HOUSING, sensor	1

--- Not for sale.



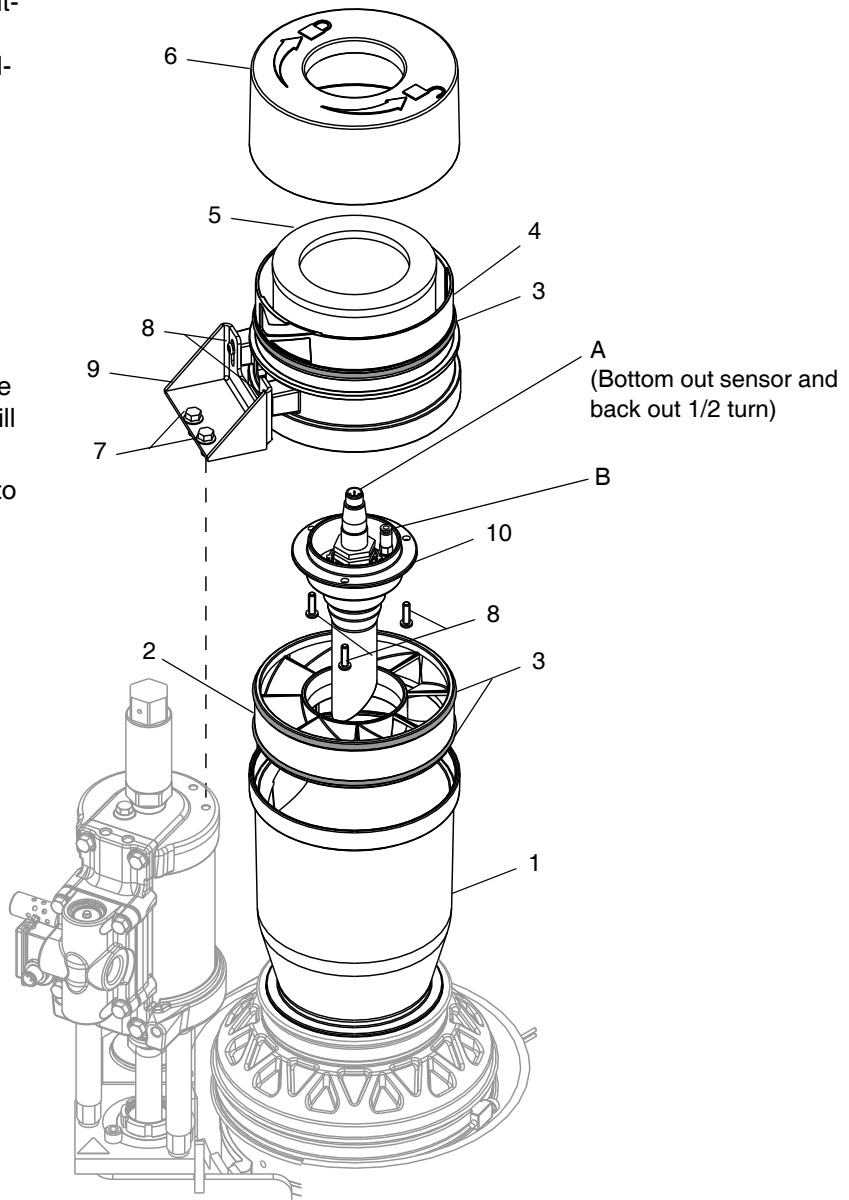
NOTE: Be aware of all connections and routings prior to the disassembly of the existing funnel assembly, as this will aid in the installation of the kit.

Connections to be aware of are:

Connection Point	Description
A	Fill Sensor Cable
B	Fill Sensor Air Supply

NOTE: Do not discard the fill sensor and the fill sensor air supply fitting as these items will be reused in the installation of the kit.

NOTE: Lubricate all o-rings and seals prior to installation.



Graco Information

Sealant and Adhesive Dispensing Equipment

For the latest information about Graco products, visit www.graco.com.

For patent information, see www.graco.com/patents.

TO PLACE AN ORDER, contact your Graco distributor, go to www.graco.com and select “Where to Buy” in the top blue bar, or call to find the nearest distributor.

If calling from the US: 800-746-1334

If calling from outside the US: 0-1-330-966-3000

All written and visual data contained in this document reflects the latest product information available at the time of publication. Graco reserves the right to make changes at any time without notice.

Original instructions. This manual contains English. MM 334563

Graco Headquarters: Minneapolis

International Offices: Belgium, China, Japan, Korea

GRACO INC. AND SUBSIDIARIES • P.O. BOX 1441 • MINNEAPOLIS MN 55440-1441 • USA

Copyright 2014, Graco Inc. All Graco manufacturing locations are registered to ISO 9001.

www.graco.com

Revision B, January 2017