

Inlet Air Filter Kit

334790B

EN

For installing an inlet air filter on the InvisiPac® HM25 and HM50 Tank-Free™ Hot Melt Delivery System. For professional use only.

Not approved for use in explosive atmospheres or hazardous locations.

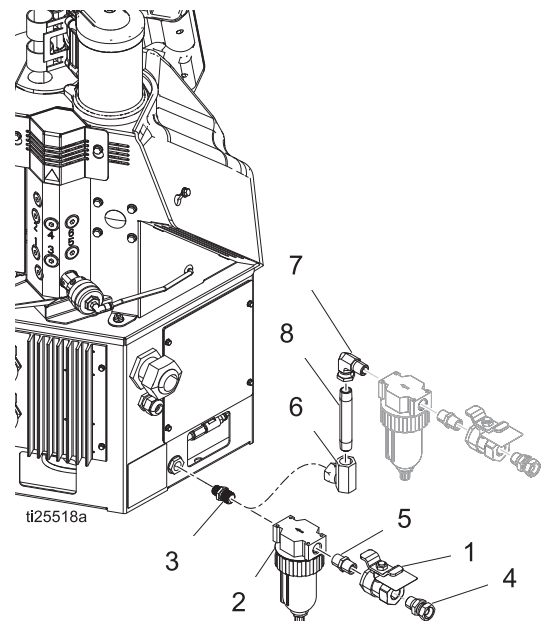
Kit No. 24R707



Important Safety Instructions

Read all warnings and instructions in this manual and in the InvisiPac system manual. Save all instructions.

Ref.	Part	Description	Qty
1	110224	VALVE, ball, vented	1
2	106148	FILTER, air	1
3	157350	ADAPTER	1
4	155665	UNION, adapter	1
5	167702	FITTING, nipple	1
6	155677	FITTING, union, 90°	1
7	15Y397	FITTING, swivel 90°	1
8	160790	FITTING, nipple, adapter	1
9	---	TAPE, PTFE, thread sealant	1



Installation

1. Install the bleed-type vented air shutoff valve and filter at the 1/4 npt female system air inlet.

NOTE: The system must have a bleed-type ball valve that bleeds pressure downstream when closed. Otherwise, the supplied air will need to be disconnected from the system whenever the pressure is relieved. The direction of flow is indicated on the valve. If installed backwards, the valve will not vent properly.

NOTE: The system must use an air filter with a minimum flow rate of 30 scfm.

2. If using the same air for the applicator(s), install a tee in the air line before the ball valve. There should not be anything between the ball valve and the system (except the filter, if installed). See applicator manual for applicator air pressure requirements, and use a regulator before the applicator to decrease air pressure if necessary.
3. Use the optional elbow fittings (6, 7) and pipe nipple (8) to alter the orientation of the incoming air line, filter, and ball valve.
4. Close the ball valve.
5. Attach a 3/8 in minimum air supply line to the ball valve.

NOTE: Air supply pressure must be between 80 psi (550 kPa, 5.5 bar) and 100 psi (690 kPa, 6.9 bar). Recommended pressure is 100 psi (690 kPa, 6.9 bar).

NOTE: If air pressure is expected to drop below (550 kPa, 5.5 bar), use air reservoir kit 16W366 to allow the system to operate down to 60 psi (414 kPa, 4.1 bar).

Graco Information

For more information about InvisiPac, visit www.InvisiPac.com.

For technical assistance or customer service, call toll free: 1-800-458-2133.

TO PLACE AN ORDER, contact your Graco distributor or call to identify the nearest distributor.

Phone: 612-623-6921 **or Toll Free:** 1-800-328-0211 **Fax:** 612-378-3505

All written and visual data contained in this document reflects the latest product information available at the time of publication. Graco reserves the right to make changes at any time without notice.

Original instructions. This manual contains English. MM 334790

Graco Headquarters: Minneapolis

International Offices: Belgium, China, Japan, Korea

GRACO INC. AND SUBSIDIARIES • P.O. BOX 1441 • MINNEAPOLIS MN 55440-1441 • USA

Copyright 2015, Graco Inc. All Graco manufacturing locations are registered to ISO 9001.

www.graco.com

Revision B, August, 2015