

# Run Up Pressure Kit

334934D

EN

**For professional use only.**

**Not approved for use in explosive atmospheres or hazardous locations.**

## Kit 17E020





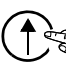
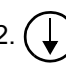


### Important Safety Instructions

Read all warnings and instructions in this manual and in the Pattern Control manual. Save all instructions.

**NOTE:** The Graco run up controller is calibrated for the procedure below. If using a non-Graco run up controller, ensure the controller settings are set to 0 psi offset and 100 psi span, corresponding to 10 V.

Using the buttons on the front of the regulator, change the Units on the regulator from BAR to PSI and the Pressure Span from 145 to 100 psi.

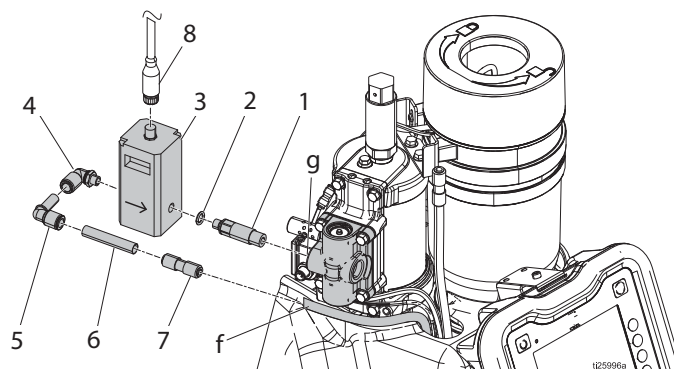
**NOTE:** This step is only necessary if the display shows 0.00 and not 0.0 when starting.

Units Bar → PSI		Pressure Span 145 → 100	
1. 	Press 4x until BAR is displayed	1. 	Press 8x until 145 is displayed
2. 	Press 1x until PSI is displayed	2. 	Hold until 100 is displayed
3. 	Hold for 5 sec. to save selection	3. 	Hold for 5 sec. to save selection

Wire Color	Function	Terminal
Brown	24V Supply	Plus (+)
Black	Analog Signal	%
Blue	Supply Return	Minus (-)
White	Signal Return	Minus (-)

## HM25 and HM50 Installation

1. Remove the tube (f) from the air motor air inlet (g).
2. Remove the right angle 1/4 in. fitting from the inlet (g).
3. Install the fitting (1) with the o-ring (2) into the regulator (3).
4. Install the other end of the fitting (1) to the inlet (g).
5. Install the fitting (4) to the opposite side of the regulator (3).
6. Insert the fitting (5) into the fitting (4).
7. Install the tube (6) and coupler (7) to the fitting (5).
8. Insert the tube (f) into the other end of the coupler (7).
9. Connect the cable (8) to the regulator and the other end to the pattern controller board run up terminals



### HM25 and HM50 Models

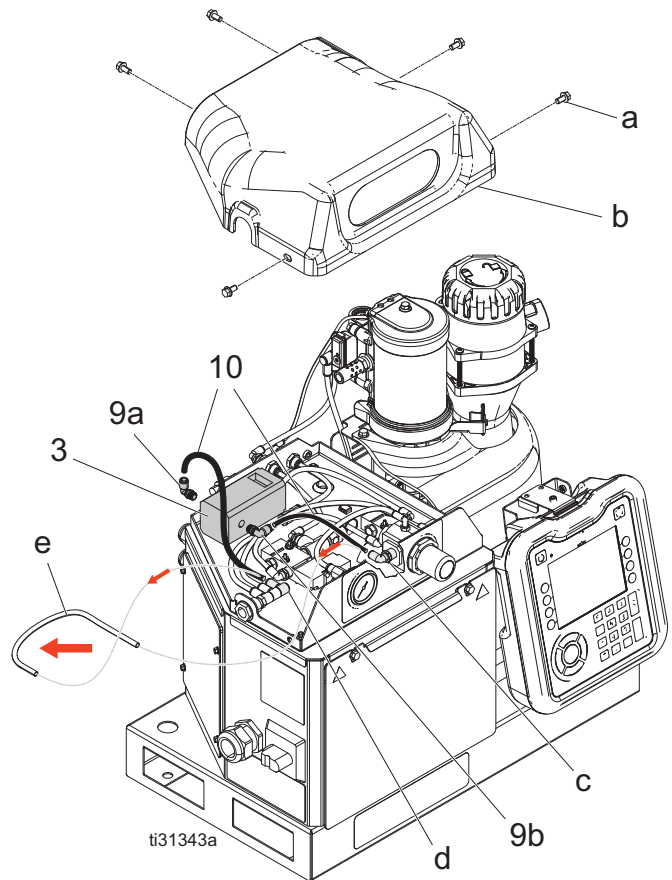
Ref.	Part	Description	Qty.
1	---	FITTING, 1/8 BSPP to 1/4 NPT	1
2	---	O-RING, -011 Buna-N	1
3	---	REGULATOR, pressure, V2P	1
4	---	FITTING, 1/8 BSPP x 10 mm PTC	1
5	---	FITTING, elbow, 10 mm OD tube	1
6	---	TUBE, nylon, 10 mm x 2-3/8 in.	1
7	---	COUPLER, 3/8 in. OD tubing	1
8	24X449	KIT, cable 4-pin, 5.0 m	1

# HM25c Installation

1. Remove the screws (a) and cover (b).
2. Remove the hose (e) from the connections (c) and (d).
3. Install the fittings (9a) and (9b) to the regulator (3).
4. Install new tubes (10) from fitting (9b) to (c) and from fitting (9a) to (d).
5. Connect the cable (8) to the regulator and the other end to the pattern controller board run up terminals.

## Parts List

Ref.	Part	Description	Qty.
1	---	FITTING, 1/8 BSPP to 1/4 NPT	1
2	---	O-RING, -011 Buna-N	1
3	---	REGULATOR, pressure, V2P	1
4	---	FITTING, 1/8 BSPP x 10 mm PTC	1
5	---	FITTING, elbow, 10 mm OD tube	1
6	---	TUBE, nylon, 10 mm x 2-3/8 in.	1
7	---	COUPLER, 3/8 in. OD tubing	1
8	24X449	KIT, cable 4-pin, 5.0 m	1
9	---	FITTING, elbow, 1/4 ptc x 1/8 bspt	2
10	---	TUBE, ptfe, 1/4 in. OD	1



**HM25c Models**

*All written and visual data contained in this document reflects the latest product information available at the time of publication. Graco reserves the right to make changes at any time without notice. Original instructions. This manual contains English. MM 334934*

**Graco Headquarters:** Minneapolis  
**International Offices:** Belgium, China, Japan, Korea

**GRACO INC. AND SUBSIDIARIES • P.O. BOX 1441 • MINNEAPOLIS MN 55440-1441 • USA**  
**Copyright 2015, Graco Inc. All Graco manufacturing locations are registered to ISO 9001.**

www.graco.com  
 Revision D, April 2021