

## InvisiPac<sup>®</sup> GM100 Cover Kit 24Y170

3A3011B  
EN

For professional use only.

Not approved for use in explosive atmospheres or hazardous locations.

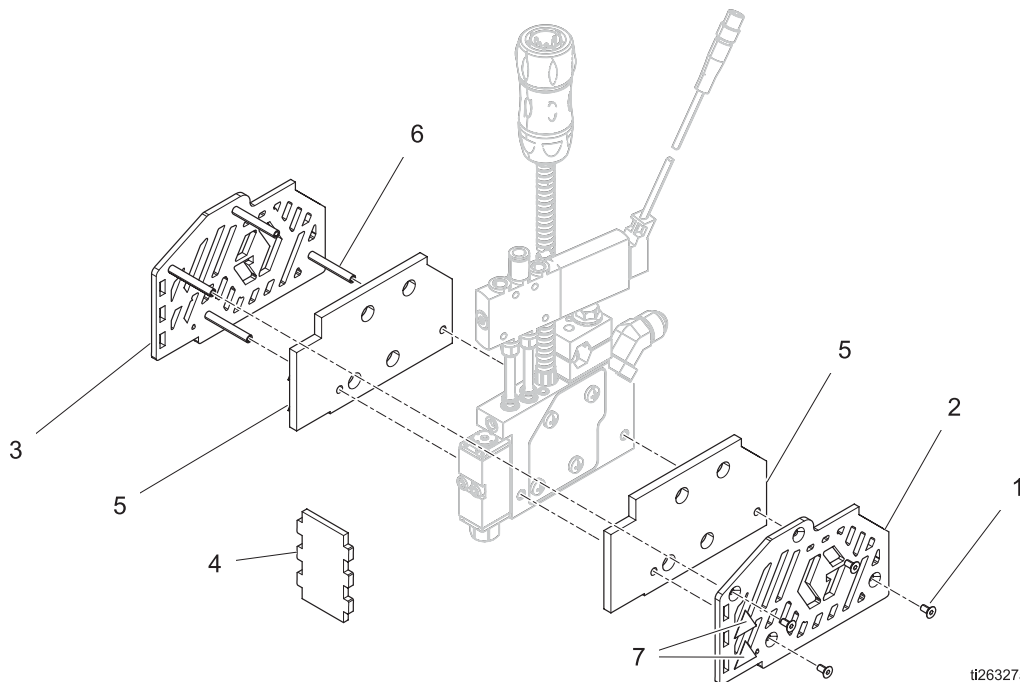


### Important Safety Instructions

Read all warnings and instructions in this manual and in manual 334627. Save all instructions.

Ref.	Part	Description	Qty.
1	128401	SCREW, flat head, M3X6	8
2		PANEL, GM100 single, right	1
3		PANEL, GM100 single, left	1
4		PANEL, GM100 single, front	1
5		INSULATOR, GM100 single cover	2
6		SPACER, GM100 single cover	4
7	17G067	LABEL, warning, GM100 single	1

▲ Replacement Danger and Warning labels are available at no cost.



ti26327a

*All written and visual data contained in this document reflects the latest product information available at the time of publication.  
Graco reserves the right to make changes at any time without notice.*

Original instructions. This manual contains English. MM 3A3011

**Graco Headquarters:** Minneapolis

**International Offices:** Belgium, China, Japan, Korea

**GRACO INC. AND SUBSIDIARIES • P.O. BOX 1441 • MINNEAPOLIS MN 55440-1441 • USA**

**Copyright 2014, Graco Inc. All Graco manufacturing locations are registered to ISO 9001.**

[www.graco.com](http://www.graco.com)

Revision B - August 2015