

GMAX™ 3400, GMAX™ II 3900/5900/7900, and 5900 HD/7900 HD Airless Sprayers

3A6417H

EN

For the application of architectural paints and coatings. For professional use only. Not approved for use in European explosive atmosphere locations.

3300 psi (22.8 MPa, 228 bar) Maximum Working Pressure



Important Safety Instructions

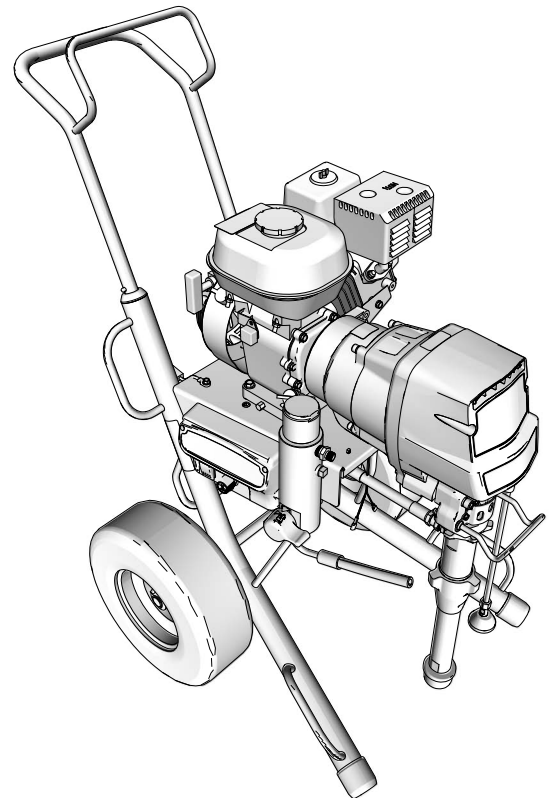
For complete warnings refer to the GMAX Operation manual.

Related Manuals:

3A6400 GMAX Operation

This manual contains parts lists for the following sprayers:

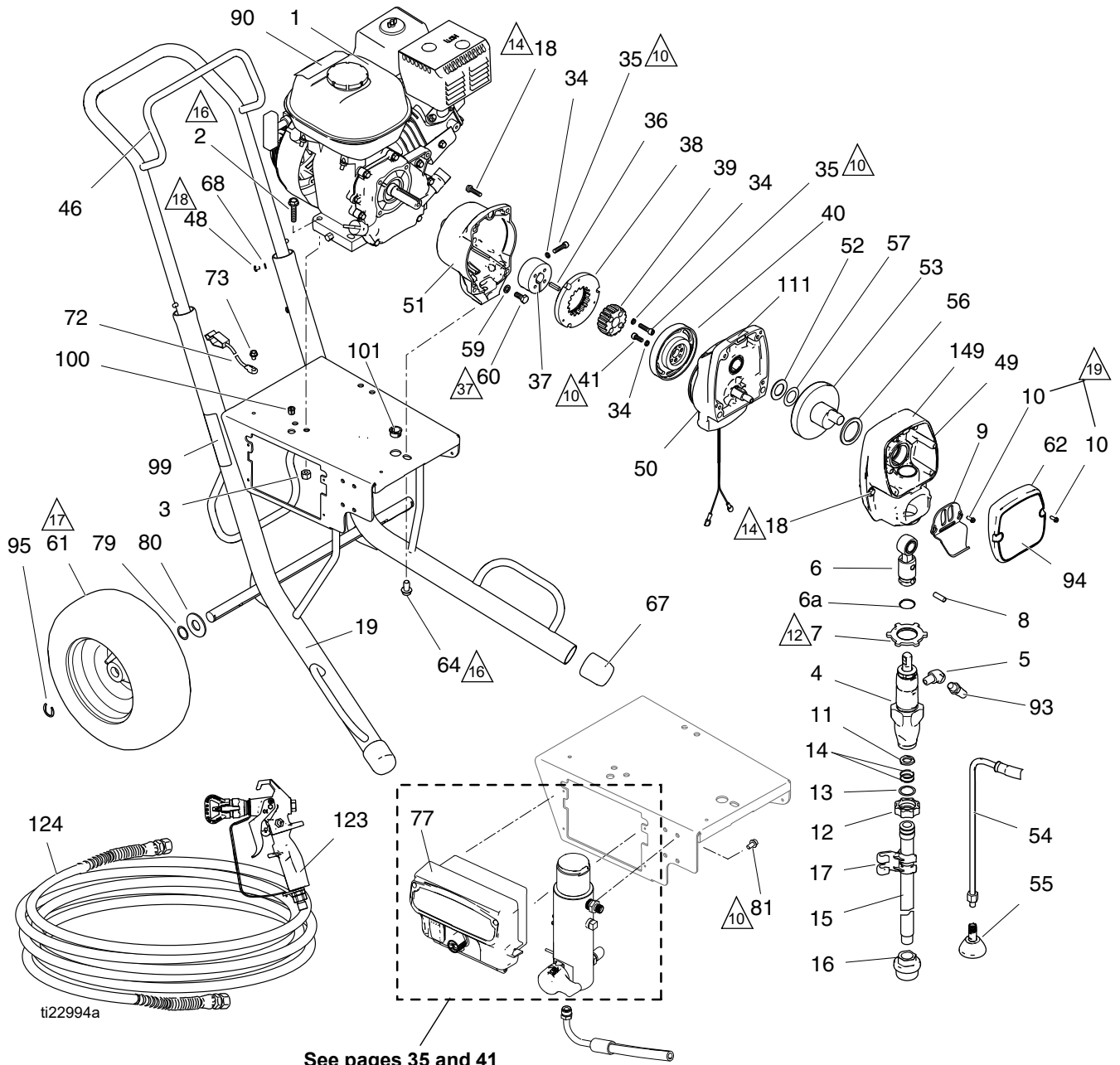
| Model | Standard | ProContractor | Lo-Boy | Ironman |
|--------------------------|----------|---------------|--------|---------|
| GMAX 3400 | 17E825 | | | |
| GMAX II 3900 | 17E827 | | 17E826 | |
| GMAX II 5900 | 17E831 | | 17E829 | |
| GMAX II 5900 Convertible | 17E830 | | | |
| GMAX II 7900 | 17E836 | | 17E834 | |
| GMAX II 5900 HD | 17E839 | | | |
| GMAX II 7900 HD | 17E841 | | | |
| GMAX 3400 | 17G997 | | | |
| GMAX II 3900 | 17G999 | 17E828 | 17G998 | |
| GMAX II 5900 | 17H810 | 17E832 | 17H808 | 17E833 |
| GMAX II 7900 | 17H818 | 17E837 | 17H817 | 17E838 |
| GMAX II 7900 Roof Rig | | | | 17E835 |
| GMAX II 5900 HD | 17H819 | 17E840 | | |
| GMAX II 7900 HD | 17H820 | 17E842 | | 17E843 |



Contents

| | | | |
|---|-----------|--|-----------|
| GMAX 3400 Standard Series | 4 | GMAX II 7900 and 7900 HD ProContractor Series | 28 |
| Parts List - GMAX 3400 Standard Series | 5 | Parts List - GMAX II 7900 and 7900 HD | |
| GMAX II 3900 Standard Series | 6 | ProContractor Series | 29 |
| Parts List - GMAX II 3900 Standard Series | 7 | GMAX II 7900 and 7900 HD IronMan Series / Roof | |
| GMAX II 3900 Lo-Boy Series | 8 | Rig | 30 |
| Parts List - GMAX II 3900 Lo-Boy Series | 9 | Parts List - GMAX II 7900 and 7900 HD IronMan | |
| GMAX II 3900 ProContractor Series | 10 | Series / Roof Rig | 31 |
| Parts List - GMAX II 3900 ProContractor Series | 11 | GMAX II 7900 Lo-Boy Series | 32 |
| GMAX II 5900 and 5900 HD Standard Series | 12 | Parts List - GMAX II 7900 Lo-Boy Series | 33 |
| Parts List - GMAX II 5900 and 5900 HD Standard | | LoBoy Suction Set Kits | 34 |
| Series | 13 | Control Box 25P549 - GMAX 3400 | 35 |
| GMAX II 5900 Lo-Boy Series | 14 | Parts List - Control Box 25P549 | 35 |
| Parts List - GMAX II 5900 Lo-Boy Series | 15 | Control Box 16X822 - Standard & Lo-Boy Series | 36 |
| GMAX II 5900 and 5900 HD ProContractor Series | 16 | Parts List - Control Box 16X822 | 37 |
| Parts List - GMAX II 5900 and 5900 HD | | Control Box 16X821 - ProContractor & Ironman | |
| ProContractor Series | 17 | Series | 38 |
| GMAX II 5900 IronMan Series | 18 | Parts List - Control Box 16X821 | 39 |
| Parts List - GMAX II 5900 IronMan Series | 19 | Filter | 40 |
| GMAX II 5900 Convertible Series | 20 | Parts List - Filter | 40 |
| Parts List - GMAX II 5900 Convertible Series .. | 21 | Filter (3400 Models only) | 41 |
| GMAX II 5900 Convertible Series | 22 | Parts List - Filter | 41 |
| Engine Detail | 22 | QuikReel™ (ProContractor Sprayers) | 42 |
| Engine Detail - Parts List | 23 | Notes | 43 |
| Clutch Housing - Parts Drawing and List | 24 | Pressure Control Wiring Diagrams | 44 |
| Notes | 25 | GMAX 3400 Sprayers | 44 |
| GMAX II 7900 and 7900 HD Standard Series | 26 | 3900/5900/7900 Sprayers | 45 |
| Parts List - GMAX II 7900 and 7900 HD Standard | | Graco Standard Warranty | 47 |
| Series | 27 | Graco Information | 48 |

GMAX 3400 Standard Series



See pages 35 and 41

Parts List - GMAX 3400 Standard Series

| Ref. | Part | Description | Qty. | Ref. | Part | Description | Qty. |
|------|---------|---|------|------|--------|--------------------------------|------|
| 1 | 108879 | ENGINE, gasoline, 4.0 HP | 1 | 64 | 112395 | SCREW, cap, flng hd | 1 |
| 2 | 110837 | SCREW, flange, hex | 2 | 67 | 15C871 | CAP, leg | 2 |
| 3 | 110838 | NUT, lock | 2 | 68 | 100020 | WASHER, lock | 4 |
| 4 | 246428 | PUMP, displacement, st | 1 | 72 | 237686 | WIRE, ground assembly w/clamp | 1 |
| 5 | 119789 | FITTING, elbow, street, 45°, 1/4 npt | 1 | 73 | 112798 | SCREW, thread forming, hex hd | 1 |
| 6 | 287053 | ROD, connecting | 1 | 77 | 25P549 | BOX, control, GMAX 3400 | 1 |
| 6a | 196750 | SPRING, retaining | 1 | 79 | 116038 | WASHER, wave spring | 2 |
| 7 | 195150 | NUT, jam, pump | 1 | 80 | 156306 | WASHER, flat | 2 |
| 8 | 196762 | PIN, straight | 1 | 81 | 113161 | SCREW, flange, hex hd | 3 |
| 9 | 15C146 | HOOK, pail | 1 | 90▲ | 194126 | LABEL, warning | 1 |
| 10 | 117501 | SCREW, mach, hex washer hd | 4 | 93 | 241926 | HOSE, coupled | 1 |
| 11 | 115099 | WASHER, garden hose | 1 | 94 | 17E927 | LABEL, brand, GMAX 3400 | 1 |
| 12 | 15E813 | NUT, jam | 1 | 95 | 15E891 | CLIP, retaining | 2 |
| 13 | 15B652 | WASHER, suction | 1 | 99▲ | 15F638 | LABEL, warning | 1 |
| 14 | 103413 | O-RING | 2 | 100 | 114678 | BUSHING, strain relief | 1 |
| 15 | 15E805 | TUBE, intake, 3400 | 1 | 101 | 119569 | BUSHING, strain relief | 1 |
| 16 | 246385 | STRAINER, 7/8-14 unf | 1 | 111▲ | 290228 | LABEL, caution | 1 |
| 17 | 276888 | CLIP, drain line | 1 | 123 | 17Y043 | GUN, Contractor PC, RAC X | 1 |
| 18 | 119426 | SCREW, mach, hex washer hd | 8 | 124 | 240794 | HOSE, coupled, 1/4 in. x 50 ft | 1 |
| 19 | 287411 | FRAME, cart, GMAX 3400 hi | 1 | 135 | 15F354 | FUNNEL, oil (not shown) | 1 |
| 34 | 105510* | WASHER, lock, spring (hi-collar) | 10 | 149 | 17E932 | LABEL, series, GMAX, std | 1 |
| 35 | 108803 | SCREW, hex, socket head | 6 | | 17H899 | KIT, gauge, 1/4" (not shown) | 1 |
| 36 | 183401 | KEY, parallel | 1 | ▲ | 16Y631 | LABEL, warning | 1 |
| 37 | 193680 | COLLAR, shaft | 1 | ▲ | 16Y632 | LABEL, warning | 1 |
| 38 | * | ARMATURE, clutch, 4 in. | 1 | ▲ | 16Y633 | LABEL, warning | 1 |
| 39 | * | HUB, armature | 1 | ▲ | | CARD, Medical Alert | |
| 40 | * | ROTOR, clutch, 4 in. | 1 | | 222385 | English, French, Spanish | |
| 41 | 101682* | SCREW, cap, sch | 4 | | 17A134 | English, Chinese, Spanish | |
| 46 | 287489 | HANDLE, cart | 1 | | 17R476 | English, Spanish, Portuguese | |
| 48 | 109032 | SCREW, mach, pnh | 4 | | | | |
| 49 | 287483 | HOUSING, drive, 3400 <i>includes 9, 10, 18 & grease 110293</i> | 1 | | | | |
| 50 | 287376 | HOUSING, pinion, 3400 | 1 | | | | |
| 51 | 15E535 | HOUSING, clutch, mach, 3400 | 1 | | | | |
| 52 | 116074 | WASHER, thrust | 1 | | | | |
| 53 | 287484 | CRANK, GMAX 3400 <i>includes 52, 56, 57</i> | 1 | | | | |
| 54 | 244240 | HOSE, coupled, <i>includes 55</i> | 1 | | | | |
| 55 | 241920 | DEFLECTOR, threaded | 1 | | | | |
| 56 | 180131 | BEARING, thrust | 1 | | | | |
| 57 | 107434 | BEARING, thrust | 1 | | | | |
| 59 | 100214 | WASHER, lock | 4 | | | | |
| 60 | 108842 | SCREW, cap, hex hd | 4 | | | | |
| 61 | 119420 | WHEEL, pneumatic | 2 | | | | |
| 62 | 287487 | COVER, front, painted, <i>includes 10</i> | 1 | | | | |

▲ Replacement Danger and Warning Labels, Tags and Cards are available at no cost.

* Included in Clutch Replacement Kit 241109.

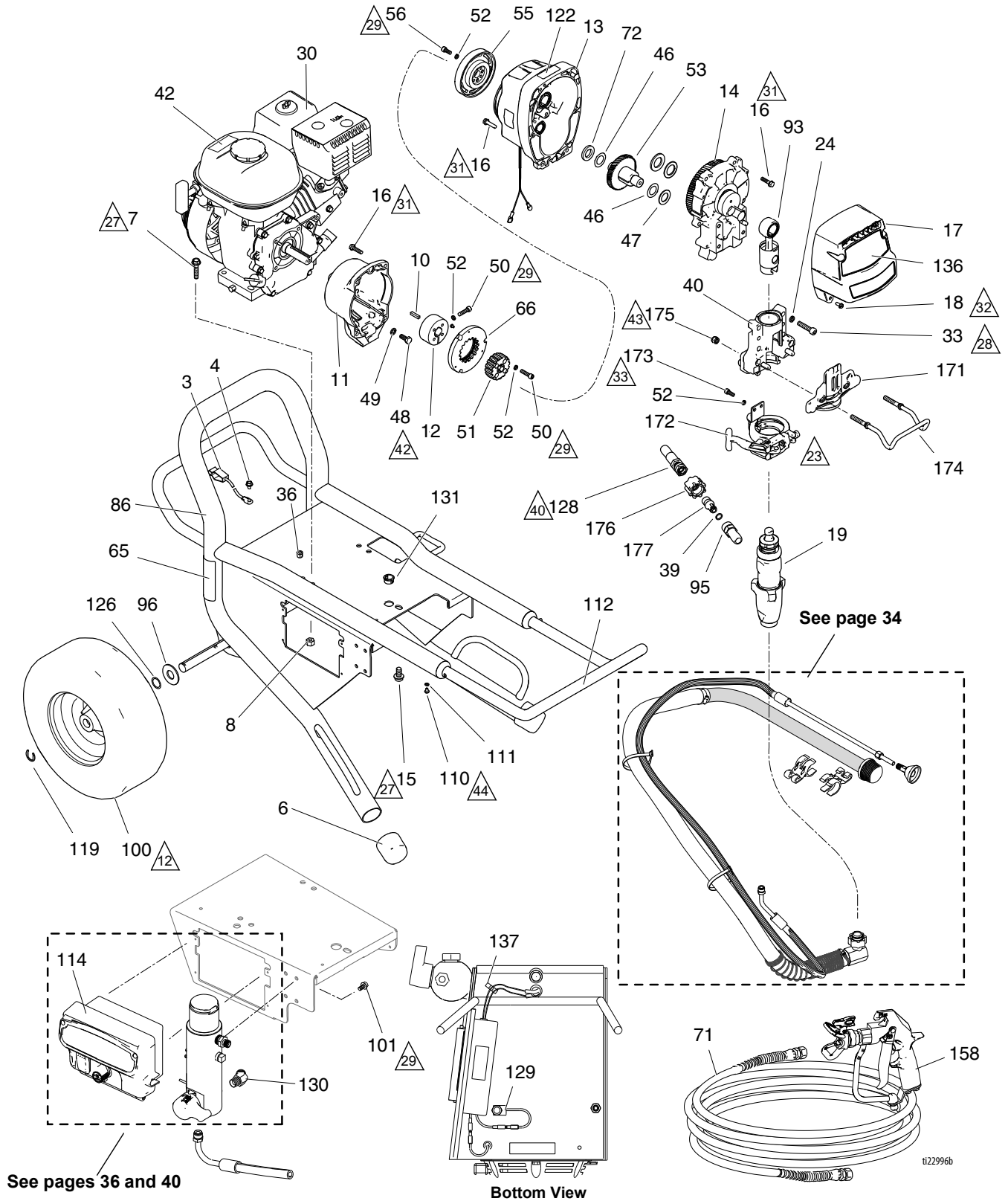
Part Specifications:

| Ref. | Instruction |
|------|--|
| ▲10 | Torque to 115-135 in-lb (12.9-15.2 N•m) |
| ▲12 | Torque to 70-80 ft-lb (94.9-108.4 N•m) |
| ▲14 | Torque to 130-150 in-lb (14.6-16.9 N•m) |
| ▲16 | Torque to 17-23 ft-lb (23.0-31.1 N•m) |
| ▲17 | Inflate tires to 28-32 psi (1.93-2.21 bar/0.193-0.221 MPa) |
| ▲18 | Torque to 25-35 in-lb (2.8-3.9 N•m) |
| ▲19 | Torque to 30-35 in-lb (3.3-3.9 N•m) |
| ▲37 | Torque to 170-190 in-lb (19.2-21.4 N•m) |

Parts List - GMAX II 3900 Standard Series

| Ref. | Part | Description | Qty. | Ref. | Part | Description | Qty. | | | | | | | | | | | | | | | | | | | | | | | | |
|------|--|--|------|--|--------|--------------------------------|------|------|-------------|----|---|-----|---|-----|---|-----|--|-----|---------------------------------------|-----|-------------------------------------|-----|--------------------------------------|-----|-------------------------------------|-----|--|-----|---|-----|---|
| 3 | 237686 | WIRE, ground assembly w/ clamp | 1 | 121★ | 16X770 | SHIELD, pump rod | 1 | | | | | | | | | | | | | | | | | | | | | | | | |
| 4 | 112798 | SCREW, thread forming, hex hd | 1 | 122▲ | 290228 | LABEL, caution | 1 | | | | | | | | | | | | | | | | | | | | | | | | |
| 6 | 15C871 | CAP, leg | 2 | 126 | 116038 | WASHER, wave spring | 2 | | | | | | | | | | | | | | | | | | | | | | | | |
| 7 | 110837 | SCREW, flange, hex | 2 | 128 | 16X909 | HOSE, coupled | 1 | | | | | | | | | | | | | | | | | | | | | | | | |
| 8 | 110838 | NUT, lock | 2 | 129 | 119579 | CONDUCTOR, ground | 1 | | | | | | | | | | | | | | | | | | | | | | | | |
| 10 | 183401 | KEY, parallel | 1 | 130 | 119676 | SPRING, retaining | 1 | | | | | | | | | | | | | | | | | | | | | | | | |
| 11 | 15E535 | HOUSING, clutch, machine | 1 | 131 | 119569 | BUSHING, strain relief | 1 | | | | | | | | | | | | | | | | | | | | | | | | |
| 12 | 193680 | COLLAR, shaft | 1 | 134★ | 278204 | CLIP, drain line | 1 | | | | | | | | | | | | | | | | | | | | | | | | |
| 13 | 287463 | HOUSING, pinion, 3900 | 1 | 135 | 15F354 | FUNNEL, oil (not shown) | 1 | | | | | | | | | | | | | | | | | | | | | | | | |
| 14 | 287467 | HOUSING, drive, 3900, <i>includes 14a, 14b</i> | 1 | 136 | 17E928 | LABEL, brand, GMAX 3900 | 1 | | | | | | | | | | | | | | | | | | | | | | | | |
| 14a | 116191 | WASHER, thrust | 1 | 137 | 114687 | CLIP, retainer | 1 | | | | | | | | | | | | | | | | | | | | | | | | |
| 14b | 107089 | WASHER, race, thrust | 1 | 149 | 17E933 | LABEL, series, GMAX, std | 1 | | | | | | | | | | | | | | | | | | | | | | | | |
| 15 | 112395 | SCREW, cap, flng hd | 1 | 157 | 192723 | NUT, retaining | 1 | | | | | | | | | | | | | | | | | | | | | | | | |
| 16 | 119426 | SCREW, mach, hex washer hd | 10 | 158 | 240794 | HOSE, coupled, 1/4 in. x 50 ft | 1 | | | | | | | | | | | | | | | | | | | | | | | | |
| 17 | 16Y747 | COVER, front, (includes 18) | 1 | 159 | 17Y043 | GUN, Contractor PC, RAC X | 1 | | | | | | | | | | | | | | | | | | | | | | | | |
| 18★ | 118444 | SCREW, mach, slot hex wash hd | 6 | 308 | 109032 | SCREW, mach, pnh | 4 | | | | | | | | | | | | | | | | | | | | | | | | |
| 19 | 16Y598 | PUMP, displacement, <i>includes 85, 92, 95</i> | 1 | 308a | 100020 | WASHER, lock | 4 | | | | | | | | | | | | | | | | | | | | | | | | |
| 27 | 189920 | STRAINER, (1-11 1/2 NPSM) | 1 | 310 | 287489 | HANDLE, cart | 1 | | | | | | | | | | | | | | | | | | | | | | | | |
| 30 | 108879 | ENGINE, gasoline, 4.0 HP | 1 | | 17H899 | KIT, gauge, 1/4" (not shown) | 1 | | | | | | | | | | | | | | | | | | | | | | | | |
| 33 | 17E917 | SCREW, cap, socket head, SST | 4 | ▲ | 16Y631 | LABEL, warning | 1 | | | | | | | | | | | | | | | | | | | | | | | | |
| 36 | 114678 | BUSHING, strain relief | 1 | ▲ | 16Y632 | LABEL, warning | 1 | | | | | | | | | | | | | | | | | | | | | | | | |
| 40★ | | HOUSING, bearing | 1 | ▲ | 16Y633 | LABEL, warning | 1 | | | | | | | | | | | | | | | | | | | | | | | | |
| 42▲ | 194126 | LABEL, warning | 1 | ▲ | | CARD, Medical Alert | 1 | | | | | | | | | | | | | | | | | | | | | | | | |
| 46 | 114699 | WASHER, thrust | 2 | | 222385 | English, French, Spanish | 1 | | | | | | | | | | | | | | | | | | | | | | | | |
| 47 | 114672 | WASHER, thrust | 1 | | 17A134 | English, Chinese, Spanish | 1 | | | | | | | | | | | | | | | | | | | | | | | | |
| 48 | 108842 | SCREW, cap, hex hd | 4 | | 17R476 | English, Spanish, Portuguese | 1 | | | | | | | | | | | | | | | | | | | | | | | | |
| 49★ | 100214 | WASHER, lock | 8 | ▲ Replacement Danger and Warning Labels, Tags and Cards are available at no cost. | | | | | | | | | | | | | | | | | | | | | | | | | | | |
| 50† | 108803 | SCREW, hex, socket head | 6 | † Included in Clutch Replacement Kit 241109 | | | | | | | | | | | | | | | | | | | | | | | | | | | |
| 51† | | HUB, armature | 1 | ★ Included in Bearing Housing Kit 24V026 | | | | | | | | | | | | | | | | | | | | | | | | | | | |
| 52† | 105510 | WASHER, lock, spring (hi-collar) | 10 | Part Specifications: | | | | | | | | | | | | | | | | | | | | | | | | | | | |
| 53 | 287653 | GEAR, combination | 1 | <table border="1"> <thead> <tr> <th>Ref.</th> <th>Instruction</th> </tr> </thead> <tbody> <tr> <td>▲5</td> <td>Torque to 190-210 in-lb (21.4-23.7 N•m)</td> </tr> <tr> <td>▲10</td> <td>Torque to 115-135 in-lb (12.9-15.2 N•m)</td> </tr> <tr> <td>▲14</td> <td>Torque to 130-150 in-lb (14.6-16.9 N•m)</td> </tr> <tr> <td>▲18</td> <td>Inflate tires to 28-32 psi (1.93-2.21 bar/0.193-0.221 MPa)</td> </tr> <tr> <td>▲24</td> <td>Torque to 17-23 ft-lb (23.0-31.1 N•m)</td> </tr> <tr> <td>▲31</td> <td>Torque to 25-35 in-lb (2.8-3.9 N•m)</td> </tr> <tr> <td>▲33</td> <td>Torque to 70-90 in-lb (7.9-10.1 N•m)</td> </tr> <tr> <td>▲44</td> <td>Torque to 30-35 in-lb (3.3-3.9 N•m)</td> </tr> <tr> <td>▲46</td> <td>Torque to 70-80 ft-lb (94.9-108.4 N•m)</td> </tr> <tr> <td>▲47</td> <td>Torque to 200-230 in-lb (22.5-25.9 N•m)</td> </tr> <tr> <td>▲49</td> <td>Torque to 170-190 in-lb (19.2-21.4 N•m)</td> </tr> </tbody> </table> | | | | Ref. | Instruction | ▲5 | Torque to 190-210 in-lb (21.4-23.7 N•m) | ▲10 | Torque to 115-135 in-lb (12.9-15.2 N•m) | ▲14 | Torque to 130-150 in-lb (14.6-16.9 N•m) | ▲18 | Inflate tires to 28-32 psi (1.93-2.21 bar/0.193-0.221 MPa) | ▲24 | Torque to 17-23 ft-lb (23.0-31.1 N•m) | ▲31 | Torque to 25-35 in-lb (2.8-3.9 N•m) | ▲33 | Torque to 70-90 in-lb (7.9-10.1 N•m) | ▲44 | Torque to 30-35 in-lb (3.3-3.9 N•m) | ▲46 | Torque to 70-80 ft-lb (94.9-108.4 N•m) | ▲47 | Torque to 200-230 in-lb (22.5-25.9 N•m) | ▲49 | Torque to 170-190 in-lb (19.2-21.4 N•m) |
| Ref. | Instruction | | | | | | | | | | | | | | | | | | | | | | | | | | | | | | |
| ▲5 | Torque to 190-210 in-lb (21.4-23.7 N•m) | | | | | | | | | | | | | | | | | | | | | | | | | | | | | | |
| ▲10 | Torque to 115-135 in-lb (12.9-15.2 N•m) | | | | | | | | | | | | | | | | | | | | | | | | | | | | | | |
| ▲14 | Torque to 130-150 in-lb (14.6-16.9 N•m) | | | | | | | | | | | | | | | | | | | | | | | | | | | | | | |
| ▲18 | Inflate tires to 28-32 psi (1.93-2.21 bar/0.193-0.221 MPa) | | | | | | | | | | | | | | | | | | | | | | | | | | | | | | |
| ▲24 | Torque to 17-23 ft-lb (23.0-31.1 N•m) | | | | | | | | | | | | | | | | | | | | | | | | | | | | | | |
| ▲31 | Torque to 25-35 in-lb (2.8-3.9 N•m) | | | | | | | | | | | | | | | | | | | | | | | | | | | | | | |
| ▲33 | Torque to 70-90 in-lb (7.9-10.1 N•m) | | | | | | | | | | | | | | | | | | | | | | | | | | | | | | |
| ▲44 | Torque to 30-35 in-lb (3.3-3.9 N•m) | | | | | | | | | | | | | | | | | | | | | | | | | | | | | | |
| ▲46 | Torque to 70-80 ft-lb (94.9-108.4 N•m) | | | | | | | | | | | | | | | | | | | | | | | | | | | | | | |
| ▲47 | Torque to 200-230 in-lb (22.5-25.9 N•m) | | | | | | | | | | | | | | | | | | | | | | | | | | | | | | |
| ▲49 | Torque to 170-190 in-lb (19.2-21.4 N•m) | | | | | | | | | | | | | | | | | | | | | | | | | | | | | | |
| 55† | | ROTOR, clutch, 4 in. | 1 | | | | | | | | | | | | | | | | | | | | | | | | | | | | |
| 56† | 101682 | SCREW, cap, sch | 4 | | | | | | | | | | | | | | | | | | | | | | | | | | | | |
| 64 | 241920 | DEFLECTOR, threaded | 1 | | | | | | | | | | | | | | | | | | | | | | | | | | | | |
| 65▲ | 15F638 | LABEL, warning fire and skin, GMAX | 1 | | | | | | | | | | | | | | | | | | | | | | | | | | | | |
| 66† | | ARMATURE, clutch, 4 in. | 1 | | | | | | | | | | | | | | | | | | | | | | | | | | | | |
| 67 | 244240 | HOSE, coupled, <i>includes 64</i> | 1 | | | | | | | | | | | | | | | | | | | | | | | | | | | | |
| 72 | 15F250 | WASHER, thrust | 1 | | | | | | | | | | | | | | | | | | | | | | | | | | | | |
| 83 | 15F855 | PIN, pump | 1 | | | | | | | | | | | | | | | | | | | | | | | | | | | | |
| 85 | 15E807 | TUBE, intake | 1 | | | | | | | | | | | | | | | | | | | | | | | | | | | | |
| 86 | 287411 | FRAME, standard, cart | 1 | | | | | | | | | | | | | | | | | | | | | | | | | | | | |
| 92 | 118494 | PACKING, o-ring | 1 | | | | | | | | | | | | | | | | | | | | | | | | | | | | |
| 93 | 241008 | ROD, connecting | 1 | | | | | | | | | | | | | | | | | | | | | | | | | | | | |
| 95 | 196178 | FITTING | 1 | | | | | | | | | | | | | | | | | | | | | | | | | | | | |
| 96 | 156306 | WASHER, flat | 2 | | | | | | | | | | | | | | | | | | | | | | | | | | | | |
| 99★ | 16C457 | HANGER, pail | 1 | | | | | | | | | | | | | | | | | | | | | | | | | | | | |
| 100 | 119420 | WHEEL, pneumatic | 2 | | | | | | | | | | | | | | | | | | | | | | | | | | | | |
| 101 | 113161 | SCREW, flange, hex hd | 3 | | | | | | | | | | | | | | | | | | | | | | | | | | | | |
| 114 | 16X822 | BOX, control | 1 | | | | | | | | | | | | | | | | | | | | | | | | | | | | |
| 119 | 15E891 | CLIP, retaining | 2 | | | | | | | | | | | | | | | | | | | | | | | | | | | | |
| 120★ | 111040 | NUT, lock, insert, nylon | 2 | | | | | | | | | | | | | | | | | | | | | | | | | | | | |

GMAX II 3900 Lo-Boy Series

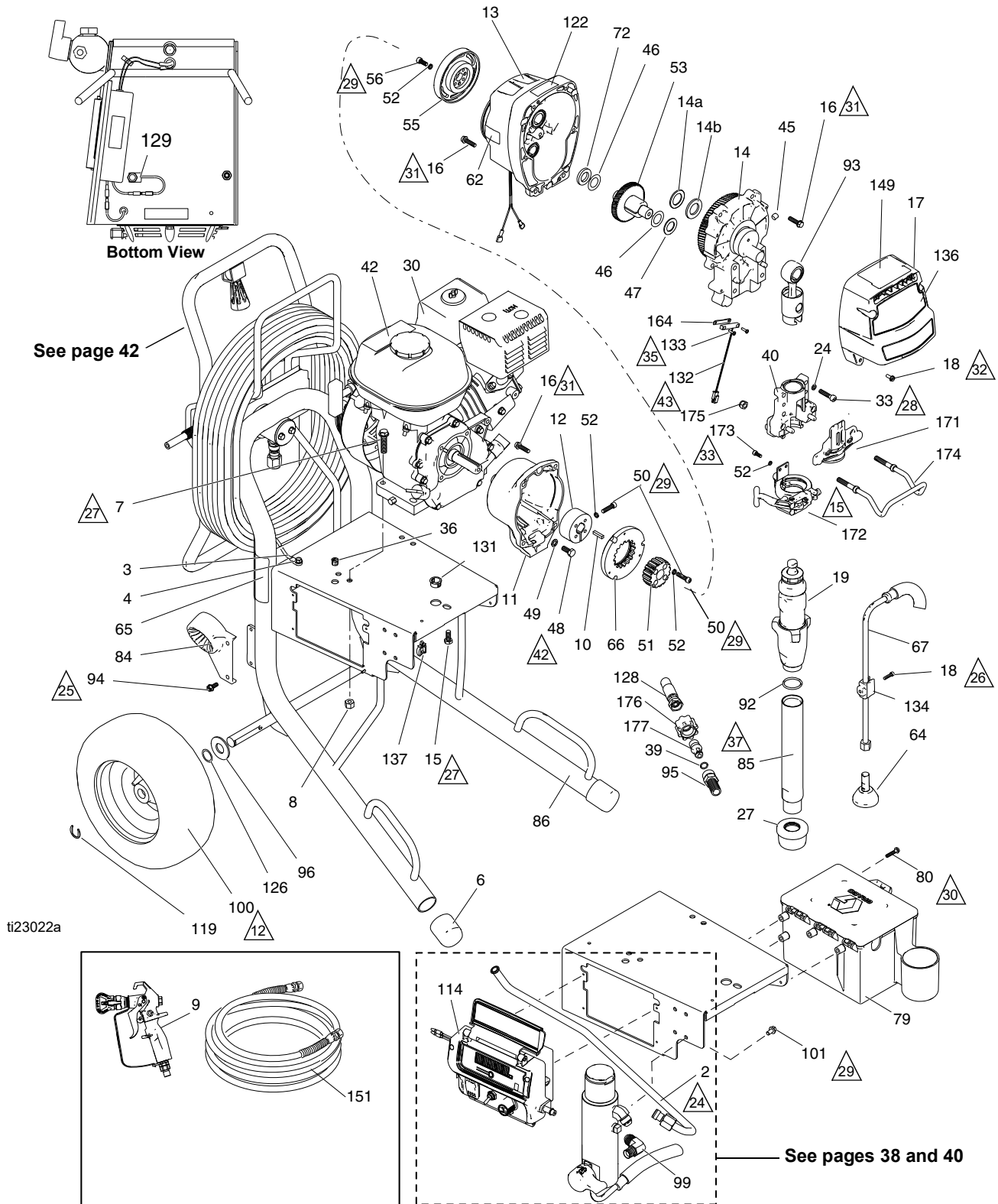


Parts List - GMAX II 3900 Lo-Boy Series

| Ref. | Part | Description | Qty. | Ref. | Part | Description | Qty. |
|------|--------|---|------|---|--------|-------------------------------------|------|
| 3 | 237686 | WIRE, ground assembly w/ clamp | 1 | 122▲ | 290228 | LABEL, caution | 1 |
| 4 | 112798 | SCREW, thread forming, hex hd | 1 | 126 | 116038 | WASHER, wave spring | 2 |
| 6 | 276974 | CAP, leg | 2 | 128 | 16X950 | HOSE, coupled | 1 |
| 7 | 110837 | SCREW, flange, hex | 2 | 129 | 119579 | CONDUCTOR, ground | 1 |
| 8 | 110838 | NUT, lock | 2 | 130 | 122533 | FITTING, 45 deg | 1 |
| 10 | 183401 | KEY, parallel | 1 | 131 | 119569 | BUSHING, strain relief | 1 |
| 11 | 15E535 | HOUSING, clutch, machine | 1 | 136 | 17E928 | LABEL, brand, GMAX 3900 | 1 |
| 12 | 193680 | COLLAR, shaft | 1 | 137 | 114687 | CLIP, retainer | 1 |
| 13 | 287463 | HOUSING, pinion, 3900 | 1 | 158 | 17Y043 | GUN, Contractor PC, RAC X | 1 |
| 14 | 287467 | HOUSING, drive, 3900, <i>includes 14a, 14b</i> | 1 | 171★ | 16X228 | PLATE, front, 3900, PC II | 1 |
| 14a | 116191 | WASHER, thrust | 1 | 172★ | 16X322 | CLAMP, pump, small | 1 |
| 14b | 107089 | WASHER, race, thrust | 1 | 173★ | 101550 | SCREW, cap, sch | 2 |
| 15 | 112395 | SCREW, cap, flng hd | 1 | 174★ | 16C457 | HANGER, pail | 1 |
| 16 | 119426 | SCREW, mach, hex washer hd | 10 | 175★ | 111040 | NUT, lock, insert, nylock, 5/16 | 2 |
| 17 | 16Y747 | COVER, front, 3900 (includes 18) | 1 | 176 | 120583 | NUT, hand | 1 |
| 18★ | 118444 | SCREW, mach, slot hex wash hd | 4 | 177 | 16X833 | FITTING, quick disconnect, 3/8 npsm | 1 |
| 19 | 16X414 | PUMP, displacement 3900, <i>includes 85, 92, 95</i> | 1 | | 17H899 | KIT, gauge, 1/4" (not shown) | 1 |
| 24★ | 104008 | WASHER, lock, spring | 4 | ▲ | 16Y631 | LABEL, warning | 1 |
| 30 | 108879 | ENGINE, gasoline, 4.0 HP | 1 | ▲ | 16Y632 | LABEL, warning | 1 |
| 33 | 17E917 | SCREW, cap, socket head, SST | 4 | ▲ | 16Y633 | LABEL, warning | 1 |
| 36 | 114678 | BUSHING, strain relief | 1 | ▲ | | CARD, Medical Alert | 1 |
| 39 | 107505 | PACKING, o-ring | 1 | | 222385 | English, French, Spanish | |
| 40★ | | HOUSING, bearing 3900 | 1 | | 17A134 | English, Chinese, Spanish | |
| 42▲ | 194126 | LABEL, warning | 1 | | 17R476 | English, Spanish, Portuguese | |
| 46 | 114699 | WASHER, thrust | 2 | ▲ Replacement Danger and Warning Labels, Tags and Cards are available at no cost. | | | |
| 47 | 114672 | WASHER, thrust | 1 | † Included in Clutch Replacement Kit 241109 | | | |
| 48 | 108842 | SCREW, cap, hex hd | 4 | ★ Included in Bearing Housing Kit 24V087 | | | |
| 49 | 100214 | WASHER, lock | 4 | Part Specifications: | | | |
| 50† | 108803 | SCREW, hex, socket head | 6 | | | | |
| 51† | | HUB, armature | 1 | | | | |
| 52†★ | 105510 | WASHER, lock, spring (hi-collar) | 12 | | | | |
| 53 | 287653 | GEAR, combination 3900 | 1 | | | | |
| 55† | | ROTOR, clutch, 4 in. | 1 | | | | |
| 56† | 101682 | SCREW, cap, sch | 4 | | | | |
| 65▲ | 15F638 | LABEL, GMAX warning fire and skin | 1 | | | | |
| 66† | | ARMATURE, clutch, 4 in. | 1 | | | | |
| 71 | 240794 | HOSE, coupled, 1/4 in. x 50 ft | 1 | | | | |
| 72 | 15F250 | WASHER, thrust | 1 | | | | |
| 86 | 16Y519 | FRAME | 1 | | | | |
| 93 | 24V084 | ROD, connecting 3900 | 1 | | | | |
| 95 | 16Y579 | FITTING | 1 | | | | |
| 96 | 156306 | WASHER, flat | 2 | | | | |
| 100 | 119509 | WHEEL, pneumatic | 2 | | | | |
| 101 | 113161 | SCREW, flange, hex hd | 3 | | | | |
| 110 | 109032 | SCREW, mach, pnh | 4 | | | | |
| 111 | 100020 | WASHER, lock, 3900 only | 4 | | | | |
| 112 | 16Y780 | HANDLE, cart | 1 | | | | |
| 114 | 16X822 | BOX, control | 1 | | | | |
| 119 | 15E891 | CLIP, retaining | 2 | | | | |

| Ref. | Instruction |
|------|---|
| ▲2 | Inflate tires to 28-32 psi (1.93-2.21 bar/0.193-0.221 MPa) |
| ▲3 | Torque clamp adjustment bolt to 90-110 in-lb (10.1-12.4 N•m) with reference 19 installed and ProConnect in locked position. |
| ▲7 | Torque to 17-23 ft-lb (23.0-31.1 N•m) |
| ▲8 | Torque to 190-210 in-lb (21.4-23.7 N•m) |
| ▲9 | Torque to 115-135 in-lb (12.9-15.2 N•m) |
| ▲1 | Torque to 130-150 in-lb (14.6-16.9 N•m) |
| ▲2 | Torque to 30-45 in-lb (3.3-5.0 N•m) |
| ▲3 | Torque to 90-110 in-lb (10.1-12.4 N•m) |
| ▲0 | Torque to 60-65 in-lb (6.7-7.3 N•m) |
| ▲2 | Torque to 170-190 in-lb (19.2-21.4 N•m) |
| ▲3 | Torque to 200-230 in-lb (22.5-25.9 N•m) |
| ▲4 | Torque to 25-35 in-lb (2.8-3.9 N•m) |

GMAX II 3900 ProContractor Series



Parts List - GMAX II 3900 ProContractor Series

| Ref. | Part | Description | Qty. | Ref. | Part | Description | Qty. |
|------|--------|---|------|---|--------|-------------------------------------|------|
| 2 | 16C384 | TUBE, 3900 | 1 | 129 | 119579 | CONDUCTOR, ground | 1 |
| 3 | 237686 | WIRE, ground assembly w/ clamp | 1 | 131 | 119569 | BUSHING, strain relief | 1 |
| 4 | 112798 | SCREW, thread forming, hex hd | 1 | 132 | 119562 | SWITCH, reed w/connector | 1 |
| 6 | 15C871 | CAP, leg | 2 | 133 | 114528 | SCREW, mach, phillips, pnhd | 2 |
| 7 | 110837 | SCREW, flange, hex | 2 | 134 | 16X203 | CLIP, drain line | 1 |
| 8 | 110838 | NUT, lock | 2 | 135 | 15F354 | FUNNEL, oil (not shown) | 1 |
| 9 | 17Y043 | GUN, contractor, RAC X, packaged | 1 | 136 | 17E928 | LABEL, brand, GMAX 3900 | 1 |
| 10 | 183401 | KEY, parallel | 1 | 137 | 114687 | CLIP, retainer | 1 |
| 11 | 15E535 | HOUSING, clutch, machine | 1 | 149 | 17E934 | LABEL, series, GMAX, Pro | 1 |
| 12 | 193680 | COLLAR, shaft | 1 | 151 | 240794 | HOSE, coupled, 1/4 in x 50 ft | 1 |
| 13 | 287463 | HOUSING, pinion, 3900 | 1 | 164 | 15F947 | SHIELD, magnetic | 1 |
| 14 | 287467 | HOUSING, drive, 3900, <i>includes 14a, 14b</i> | 1 | 171★ | 16X228 | PLATE, front, 3900, PC II | 1 |
| 14a | 116191 | WASHER, thrust | 1 | 172★ | 16X322 | CLAMP, pump, small | 1 |
| 14b | 107089 | WASHER, race, thrust | 1 | 173★ | 101550 | SCREW, cap, sch | 2 |
| 15 | 112395 | SCREW, cap, flng hd | 1 | 174★ | 16C457 | HANGER, pail | 1 |
| 16 | 119426 | SCREW, mach, hex washer hd | 10 | 175★ | 111040 | NUT, lock, insert, nylock, 5/16 | 2 |
| 17 | 16Y747 | COVER, front, 3900, <i>includes 18</i> | 1 | 176 | 120583 | NUT, hand | 1 |
| 18★ | 118444 | SCREW, mach, slot hex wash hd | 5 | 177 | 16X833 | FITTING, quick disconnect, 3/8 npsm | 1 |
| 19 | 17H823 | PUMP, displacement 3900, <i>includes 85, 92, 95</i> | 1 | ▲ | 16Y631 | LABEL, warning | 1 |
| 24★ | 104008 | WASHER, lock, spring | 4 | ▲ | 16Y632 | LABEL, warning | 1 |
| 27 | 15V573 | STRAINER, 1-11 1/2 NPSM, crushproof | 1 | ▲ | 16Y633 | LABEL, warning | 1 |
| 30 | 108879 | ENGINE, gasoline, 4.0 HP | 1 | ▲ | | CARD, Medical Alert | 1 |
| 33 | 17E917 | SCREW, cap, socket head, SST | 4 | | 222385 | English, French, Spanish | |
| 36 | 114678 | BUSHING, strain relief | 1 | | 17A134 | English, Chinese, Spanish | |
| 39 | 107505 | PACKING, o-ring | 1 | | 17R476 | English, Spanish, Portuguese | |
| 40★ | | HOUSING, bearing 3900 | 1 | ▲ Replacement Danger and Warning Labels, Tags and Cards are available at no cost. | | | |
| 42▲ | 194126 | LABEL, warning | 1 | † Included in Clutch Replacement Kit 241109 | | | |
| 45 | 116618 | MAGNET | 1 | ★ Included in Bearing Housing Kit 24V087 | | | |
| 46 | 114699 | WASHER, thrust | 2 | | | | |
| 47 | 114672 | WASHER, thrust | 1 | | | | |
| 48 | 108842 | SCREW, cap, hex hd | 4 | | | | |
| 49 | 100214 | WASHER, lock | 4 | | | | |
| 50† | 108803 | SCREW, hex, socket head | 6 | | | | |
| 51† | | HUB, armature | 1 | | | | |
| 52†★ | 105510 | WASHER, lock, spring (hi-collar) | 12 | | | | |
| 53 | 287653 | GEAR, combination 3900 | 1 | | | | |
| 55† | | ROTOR, clutch, 4 in. | 1 | | | | |
| 56† | 101682 | SCREW, cap, sch | 4 | | | | |
| 62 | | LABEL, USA made with Honda | 1 | | | | |
| 64 | 241920 | DEFLECTOR, threaded | 1 | | | | |
| 65▲ | 15F638 | LABEL, GMAX warning fire and skin | 1 | | | | |
| 66† | | ARMATURE, clutch, 4 in. | 1 | | | | |
| 67 | 244240 | HOSE, coupled, <i>includes 64</i> | 1 | | | | |
| 72 | 15F250 | WASHER, thrust | 1 | | | | |
| 79 | 287253 | TOOL BOX, <i>includes 94</i> | 1 | | | | |
| 80 | 118852 | SCREW, thd forming, hex washer hd | 3 | | | | |
| 85 | 15E807 | TUBE, intake | 1 | | | | |
| 84 | 278083 | GUIDE, hose, | 1 | | | | |
| 86 | 24D045 | FRAME, hose reel | 1 | | | | |
| 92 | 118494 | PACKING, o-ring | 1 | | | | |
| 93 | 24V084 | ROD, connecting 3900 | 1 | | | | |
| 94 | 117633 | SCREW, slot hex wash hd | 2 | | | | |
| 95 | 16Y579 | FITTING | 1 | | | | |
| 96 | 156306 | WASHER, flat | 2 | | | | |
| 99 | 125926 | FITTING, 90 deg | 1 | | | | |
| 100 | 119420 | WHEEL, pneumatic | 2 | | | | |
| 101 | 113161 | SCREW, flange, hex hd | 3 | | | | |
| 114 | 16X821 | BOX, control | 1 | | | | |
| 119 | 15E891 | CLIP, retaining | 2 | | | | |
| 122▲ | 290228 | LABEL, caution | 1 | | | | |
| 126 | 116038 | WASHER, wave spring | 2 | | | | |
| 128 | 16X904 | HOSE, coupled | 1 | | | | |

▲ Replacement Danger and Warning Labels, Tags and Cards are available at no cost.

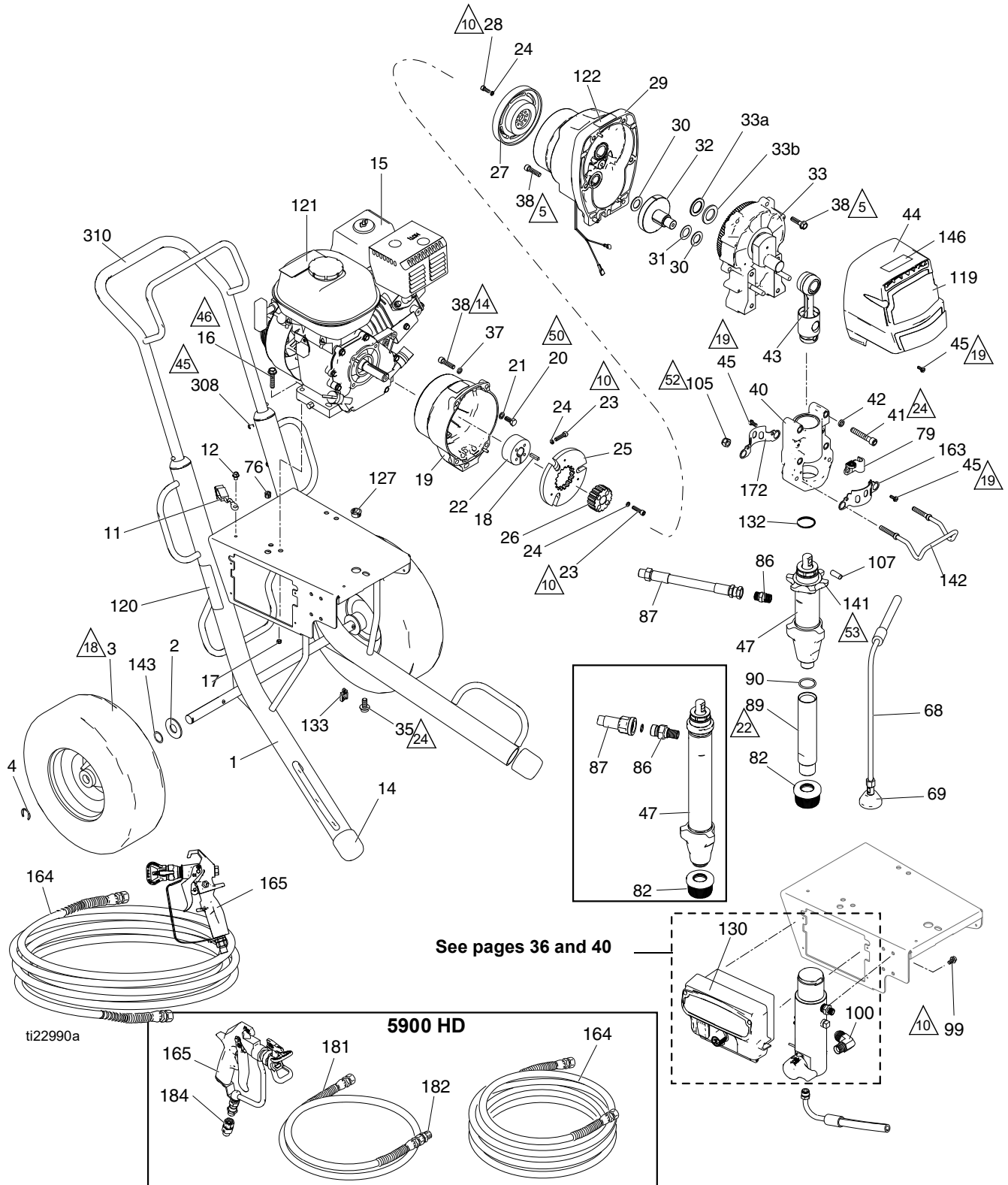
† Included in Clutch Replacement Kit 241109

★ Included in Bearing Housing Kit 24V087

Part Specifications:

| Ref. | Instruction |
|------|---|
| ▲2 | Inflate tires to 28-32 psi (1.93-2.21 bar/0.193-0.221 MPa) |
| ▲3 | Torque clamp adjustment bolt to 90-110 in-lb (10.1-12.4 N•m) with reference 19 installed and ProConnect in locked position. |
| ▲4 | Torque to 38-42 ft-lb (51.5-56.9 N•m) |
| ▲5 | Torque to 120-130 in-lb (13.5-14.6 N•m) |
| ▲6 | Torque to 40-45 in-lb (4.5-5.0 N•m) |
| ▲7 | Torque to 17-23 ft-lb (23.0-31.1 N•m) |
| ▲8 | Torque to 190-210 in-lb (21.4-23.7 N•m) |
| ▲9 | Torque to 115-135 in-lb (12.9-15.2 N•m) |
| ▲0 | Torque to 30-40 in-lb (3.3-4.5 N•m) |
| ▲1 | Torque to 130-150 in-lb (14.6-16.9 N•m) |
| ▲2 | Torque to 30-45 in-lb (3.3-5.0 N•m) |
| ▲3 | Torque to 90-110 in-lb (10.2-12.4 N•m) |
| ▲5 | Torque to 8-12 in-lb (0.9-1.35 N•m) |
| ▲7 | Torque to 70-90 in-lb (7.9-10.1 N•m) |
| ▲2 | Torque to 170-190 in-lb (19.2-21.4 N•m) |
| ▲3 | Torque to 200-230 in-lb (22.5-25.9 N•m) |

GMAX II 5900 and 5900 HD Standard Series



Parts List - GMAX II 5900 and 5900 HD Standard Series

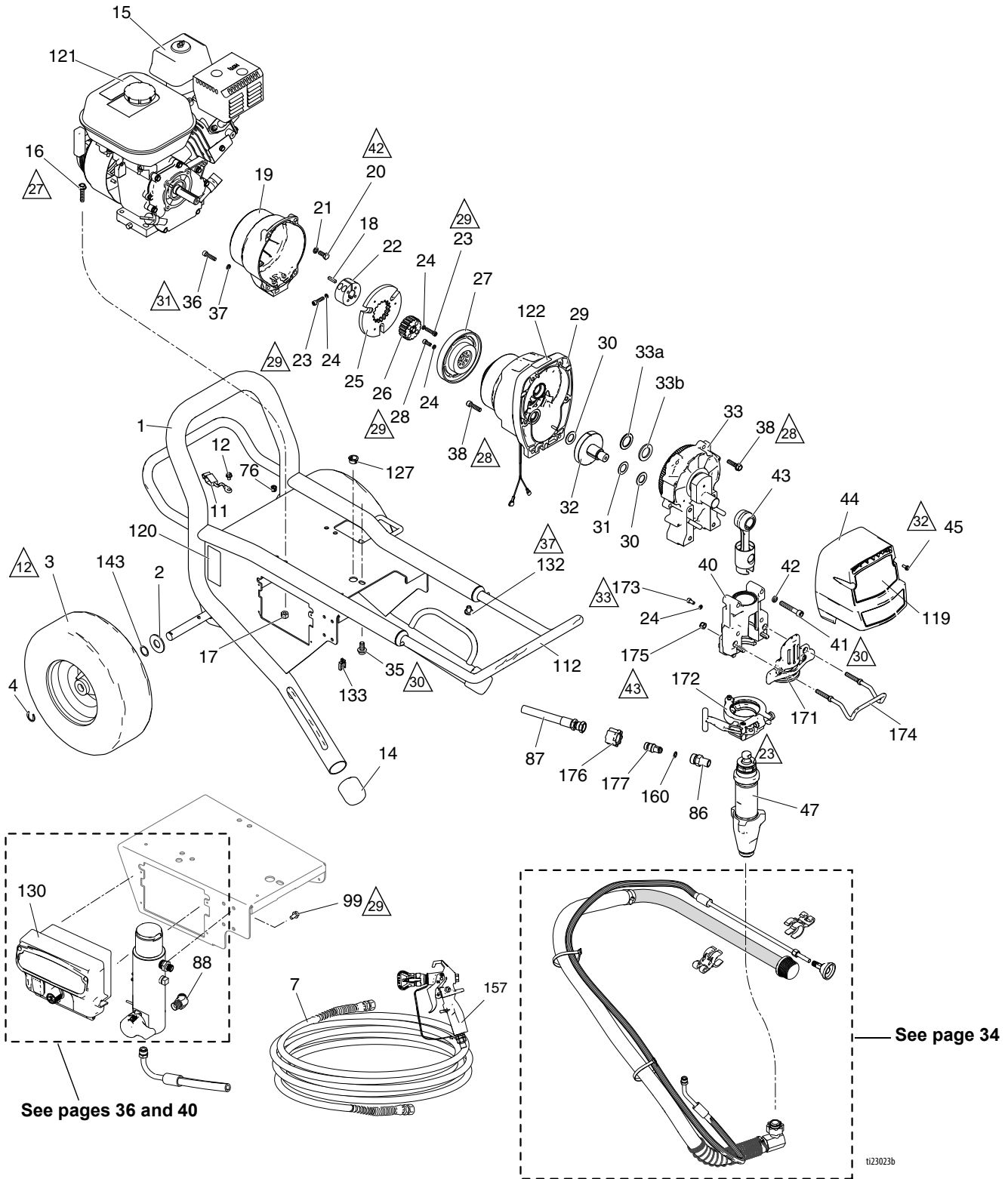
| Ref. | Part | Description | Qty. | Ref. | Part | Description | Qty. | |
|------|--------|--|------|------|--------|---|---------------------------|---|
| 1 | 287370 | FRAME, standard, cart | 1 | 121▲ | 194126 | LABEL, warning | 1 | |
| 2 | 156306 | WASHER, flat | 2 | 122▲ | 290228 | LABEL, caution | 1 | |
| 3 | 119509 | WHEEL, pneumatic | 2 | 127 | 119569 | BUSHING, strain relief | 1 | |
| 4 | 15E891 | CLIP, retaining | 2 | 130 | 16X822 | BOX, control | 1 | |
| 11 | 237686 | WIRE, ground assembly w/ clamp | 1 | 132 | 119778 | SPRING, retaining | 1 | |
| 12 | 112798 | SCREW, thread forming, hex hd | 1 | 133 | 114687 | CLIP, retainer | 1 | |
| 14 | 276974 | CAP, leg | 2 | 141 | 193031 | NUT, retaining | 1 | |
| 15 | 116080 | ENGINE, gas, 6.5 HP, Honda | 1 | 142★ | 16C457 | HANGER, pail | 1 | |
| 16 | 110837 | SCREW, flange, hex | 2 | 143 | 116038 | WASHER, wave spring | 2 | |
| 17 | 110838 | NUT, lock | 2 | 146 | 17E933 | LABEL, series, std | 1 | |
| 18 | 183401 | KEY, parallel | 1 | 155 | 15F354 | FUNNEL, oil (not shown) | 1 | |
| 19 | 15E277 | HOUSING, clutch, mach 5900/7900 | 1 | 160 | 102982 | PACKING, o-ring, 5900 HD | 1 | |
| 20 | 108842 | SCREW, cap, hex hd | 4 | 163★ | 16X770 | SHIELD, pump rod | 1 | |
| 21 | 100214 | WASHER, lock | 4 | 164 | 240794 | HOSE, coupled, 1/4 in. x 50 ft, 5900 | 1 | |
| 22 | 193680 | COLLAR, shaft | 1 | | 240797 | HOSE, coupled, 3/8 in. x 50ft, 5900 HD | 1 | |
| 23† | 108803 | SCREW, hex, socket head | 6 | 165 | 17Y043 | GUN, Contractor PC, RAC X, 5900 | 1 | |
| 24† | 105510 | WASHER, lock, spring (hi-collar) | 10 | | 241705 | GUN, spray, texture, 5900 HD | 1 | |
| 25† | | ARMATURE, clutch, 5 in. | 1 | 172 | 15C762 | SHIELD, pump rod | 1 | |
| 26† | | HUB, armature | 1 | 181 | 241735 | HOSE, cpld, 1/4 in. x 3 ft, 5900 HD | 1 | |
| 27† | | ROTOR, clutch, 5 in. | 1 | 182 | 159841 | BUSHING, 7250 psi, 3/8 in. x 1/4 in., 5900 HD | 1 | |
| 28† | 101682 | SCREW, cap, sch | 4 | | 184 | 189018 | SWIVEL, assembly, 5900 HD | 1 |
| 29 | 287465 | HOUSING, pinion, 5900 | 1 | 308 | 108795 | SCREW, mach, pnh | 4 | |
| 30 | 114672 | WASHER, thrust | 2 | 310 | 24A250 | HANDLE, cart (standard only) | 1 | |
| 31 | 114699 | WASHER, thrust | 1 | | 17H899 | KIT, gauge, 1/4" (not shown) | 1 | |
| 32 | 287460 | GEAR, combination, 5900 | 1 | | 17H900 | KIT, gauge, 3/8" (not shown) | 1 | |
| 33 | 287469 | HOUSING, drive, 5900, <i>includes 33a, 33b</i> | 1 | ▲ | 16Y631 | LABEL, warning | 1 | |
| 33a | 116192 | WASHER, thrust | 1 | ▲ | 16Y632 | LABEL, warning | 1 | |
| 33b | 194173 | WASHER | 1 | ▲ | 16Y633 | LABEL, warning | 1 | |
| 35 | 112395 | SCREW, cap, flng hd | 1 | ▲ | | CARD, Medical Alert | | |
| 37 | 104008 | WASHER, lock, spring | 4 | | 222385 | English, French, Spanish | | |
| 38 | 15C753 | SCREW, mach, hex wash hd | 6 | | 17A134 | English, Chinese, Spanish | | |
| 40★ | | HOUSING, bearing, 5900 | 1 | | 17R476 | English, Spanish, Portuguese | | |
| 41★ | 17E789 | SCREW, cap, socket head, SST | 4 | | | | | |
| 42★ | 106115 | WASHER, lock (hi-collar) | 4 | | | | | |
| 43 | 24V021 | ROD, connecting, 5900 | 1 | | | | | |
| 44 | 16Y748 | COVER, front, 5900, <i>includes 45</i> | 1 | | | | | |
| 45 | 118444 | SCREW, mach, slot hex wash hd | 8 | | | | | |
| 47 | | PUMP, displacement | | | | | | |
| | 16Y706 | 5900, <i>includes 86, 89, 90</i> | 1 | | | | | |
| | 17H829 | 5900 HD, <i>includes 86</i> | 1 | | | | | |
| 68 | 244240 | HOSE, coupled, <i>includes 69</i> | 1 | | | | | |
| 69 | 241920 | DEFLECTOR, threaded | 1 | | | | | |
| 76 | 114678 | BUSHING, strain relief | 1 | | | | | |
| 79★ | 278204 | CLIP, drain line | 1 | | | | | |
| 82 | 189920 | STRAINER, (1-11 1/2 NPSM) | 1 | | | | | |
| 86 | | FITTING | 1 | | | | | |
| | 196178 | 5900 | | | | | | |
| | 16X834 | 5900 HD | | | | | | |
| 87 | | HOSE, coupled | 1 | | | | | |
| | 16X909 | 5900 | | | | | | |
| | 16X905 | 5900 HD | | | | | | |
| 89 | 248215 | TUBE, intake | 1 | | | | | |
| 90 | 118494 | PACKING, o-ring | 1 | | | | | |
| 99 | 113161 | SCREW, flange, hex hd | 3 | | | | | |
| 100 | 125926 | FITTING, 90 deg (5900 HD) | 1 | | | | | |
| 105★ | 111040 | NUT, lock, insert, nylock, 5/16 | 2 | | | | | |
| 107 | 15F856 | PIN, pump, 5900 | 1 | | | | | |
| 119 | | LABEL, front, GMAX II 5900 | | | | | | |
| | 17E929 | 5900 | 1 | | | | | |
| | 17E936 | 5900 HD | 1 | | | | | |
| 120▲ | 15F638 | LABEL, GMAX warning fire & skin | 1 | | | | | |

▲ Replacement Danger and Warning Labels, Tags and Cards are available at no cost.
 † Included in Clutch Replacement Kit 241113
 ★ Included in Bearing Housing Kit 24V027

Part Specifications:

| Ref. | Instruction |
|------|--|
| ▲5 | Torque to 190-210 in-lb (21.5-23.7 N•m) |
| ▲10 | Torque to 115-135 in-lb (12.9-15.3 N•m) |
| ▲14 | Torque to 130-150 in-lb (14.7-16.9 N•m) |
| ▲18 | Inflate tires to 28-32 psi (1.93-2.21 bar/0.193-0.221 MPa) |
| ▲19 | Torque to 30-35 in-lb (3.4-3.9 N•m) |
| ▲22 | Torque to 70-90 in-lb (7.9-10.2 N•m) |
| ▲24 | Torque to 23-29 ft-lb (31.2-39.3 N•m) |
| ▲45 | Torque to 25-35 in-lb (2.8-3.9 N•m) |
| ▲46 | Torque to 17-23 ft-lb (23.1-31.2 N•m) |
| ▲50 | Torque to 170-190 in-lb (19.2-21.5 N•m) |
| ▲52 | Torque to 200-230 in-lb (22.6-25.9 N•m) |
| ▲53 | Torque to 75 +/- 5 ft-lb (101.7 +/- 6.8 N•m) |

GMAX II 5900 Lo-Boy Series

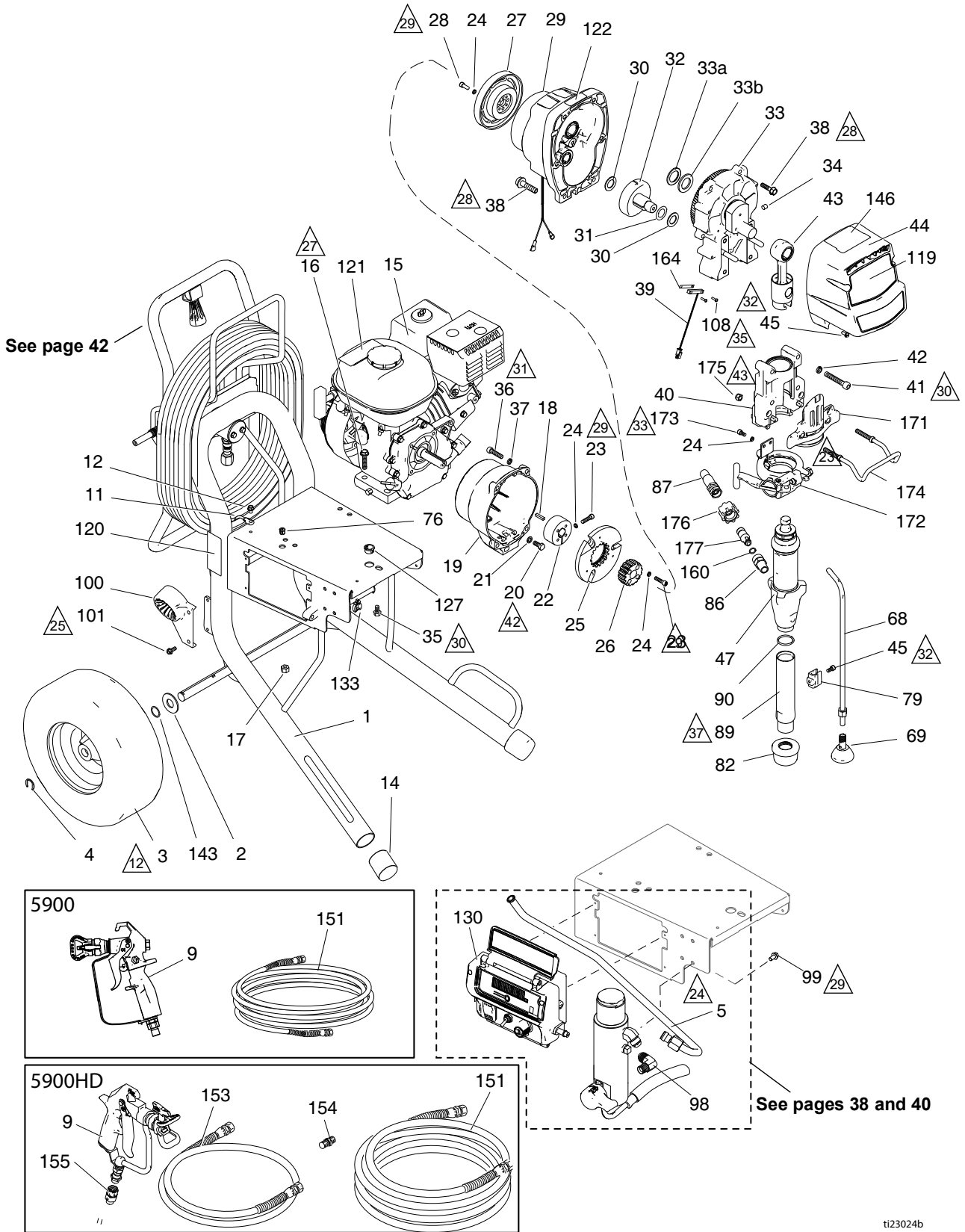


Parts List - GMAX II 5900 Lo-Boy Series

| Ref. | Part | Description | Qty. | Ref. | Part | Description | Qty. |
|------|--------|---|------|---|--------|--|------|
| 1 | 16Y519 | FRAME, cart | 1 | 130 | 16X822 | BOX, control | 1 |
| 2 | 156306 | WASHER, flat | 2 | 132 | 109032 | SCREW, mach, pnh | 4 |
| 3 | 119509 | WHEEL, pneumatic | 2 | 133 | 114687 | CLIP, retainer | 1 |
| 4 | 15E891 | CLIP, retaining | 2 | 143 | 116038 | WASHER, wave spring | 2 |
| 7 | 240794 | HOSE, coupled, 1/4 in. x 50 ft | 1 | 157 | 17Y043 | GUN, Contractor PC, RAC X | 1 |
| 11 | 237686 | WIRE, ground assembly w/ clamp | 1 | 160 | 107505 | PACKING, o-ring | 1 |
| 12 | 112798 | SCREW, thread forming, hex hd | 1 | 171★ | 16X385 | PLATE, front, ProConnect II, 5900 Lo-Boy | 1 |
| 14 | 276974 | CAP, leg | 2 | 172★ | 16X324 | CLAMP, pump, large, 5900 Lo-Boy | 1 |
| 15 | 116080 | ENGINE, gas, 6.5 HP, Honda | 1 | 173★ | 101550 | SCREW, cap, sch, 5900 Lo-Boy | 2 |
| 16 | 110837 | SCREW, flange, hex | 2 | 174★ | 16C457 | HANGER, pail, 5900 Lo-Boy | 1 |
| 17 | 110838 | NUT, lock | 2 | 175★ | 111040 | NUT, lock, insert, nylock, 5/16 5900 Lo-Boy | 2 |
| 18 | 183401 | KEY, parallel | 1 | 176 | 120583 | NUT, hand, 5900 Lo-Boy | 1 |
| 19 | 15E277 | HOUSING, clutch, mach 5900/7900 | 1 | 177 | 16X833 | FITTING, quick disconnect, 3/8 npsm, 5900 Lo-Boy | 1 |
| 20 | 108842 | SCREW, cap, hex hd | 4 | | 17H899 | KIT, gauge, 1/4" (not shown) | 1 |
| 21 | 100214 | WASHER, lock | 4 | ▲ | 16Y631 | LABEL, warning | 1 |
| 22 | 193680 | COLLAR, shaft | 1 | ▲ | 16Y632 | LABEL, warning | 1 |
| 23† | 108803 | SCREW, hex, socket head | 6 | ▲ | 16Y633 | LABEL, warning | 1 |
| 24† | 105510 | WASHER, lock, spring (hi-collar) | 12 | ▲ | | CARD, Medical Alert | |
| 25† | | ARMATURE, clutch, 5 in. | 1 | | 222385 | English, French, Spanish | |
| 26† | | HUB, armature | 1 | | 17A134 | English, Chinese, Spanish | |
| 27† | | ROTOR, clutch, 5 in. | 1 | | 17R476 | English, Spanish, Portuguese | |
| 28† | 101682 | SCREW, cap, sch | 4 | ▲ Replacement Danger and Warning Labels, Tags and Cards are available at no cost. | | | |
| 29 | 287465 | HOUSING, pinion, 5900 | 1 | † Included in Clutch Replacement Kit 241113 | | | |
| 30 | 114672 | WASHER, thrust | 2 | ★ Included in Bearing Housing Kit 24V088 | | | |
| 31 | 114699 | WASHER, thrust | 1 | Part Specifications: | | | |
| 32 | 287460 | GEAR, combination, 5900 | 1 | | | | |
| 33 | 287469 | HOUSING, drive, 5900, includes 33a, 33b | 1 | | | | |
| 33a | 116192 | WASHER, thrust | 1 | | | | |
| 33b | 194173 | WASHER | 1 | | | | |
| 35 | 112395 | SCREW, cap, flng hd | 1 | | | | |
| 36 | 102962 | SCREW, cap sch | 4 | | | | |
| 37 | 104008 | WASHER, lock, spring | 4 | | | | |
| 38 | 15C753 | SCREW, mach, hex wash hd | 6 | | | | |
| 40★ | | HOUSING, bearing, 5900 | 1 | | | | |
| 41★ | 17E789 | SCREW, cap, socket head, SST | 4 | | | | |
| 42★ | 106115 | WASHER, lock (hi-collar) | 4 | | | | |
| 43 | 24V085 | ROD, connecting, 5900 | 1 | | | | |
| 44 | 16Y748 | COVER, front, 5900, includes 45 | 1 | | | | |
| 45★ | 118444 | SCREW, mach, slot hex wash hd | 4 | | | | |
| 47 | 16X419 | PUMP, displacement, 5900, includes 86 | 1 | | | | |
| 76 | 114678 | BUSHING, strain relief | 1 | | | | |
| 86 | 15J413 | FITTING | 1 | | | | |
| 87 | 16X950 | HOSE, coupled | 1 | | | | |
| 88 | 122533 | FITTING, 45 deg | 1 | | | | |
| 99 | 113161 | SCREW, flange, hex hd | 3 | | | | |
| 112 | 16Y780 | HANDLE, cart | 1 | | | | |
| 119 | 17E929 | LABEL, brand, GMAX 5900 | 1 | | | | |
| 120▲ | 15F638 | LABEL, GMAX warning fire & skin | 1 | | | | |
| 121▲ | 194126 | LABEL, warning | 1 | | | | |
| 122▲ | 290228 | LABEL, caution | 1 | | | | |
| 127 | 119569 | BUSHING, strain relief | 1 | | | | |

| Ref. | Instruction |
|------|--|
| ▲22 | Inflate tires to 28-32 psi (1.93-2.21 bar/0.193-0.221 MPa) |
| ▲23 | Torque clamp adjustment bolt to 140-160 in-lb (15.8-18.1 N•m) with reference 47 installed and ProConnect in locked position. |
| ▲27 | Torque to 17-23 ft-lb (23.1-31.2 N•m) |
| ▲28 | Torque to 190-210 in-lb (21.5-23.7 N•m) |
| ▲29 | Torque to 115-135 in-lb (12.9-15.3 N•m) |
| ▲30 | Torque to 23-29 ft-lb (31.2-39.3 N•m) |
| ▲31 | Torque to 130-150 in-lb (14.7-16.9 N•m) |
| ▲32 | Torque to 30-45 in-lb (3.9-5.1 N•m) |
| ▲33 | Torque to 90-110 in-lb (10.2-12.4 N•m) |
| ▲37 | Torque to 25-35 in-lb (2.8-3.9 N•m) |
| ▲42 | Torque to 170-190 in-lb (19.2-21.5 N•m) |
| ▲43 | Torque to 200-230 in-lb (22.6-25.9 N•m) |

GMAX II 5900 and 5900 HD ProContractor Series



ti23024b

Parts List - GMAX II 5900 and 5900 HD ProContractor Series

| Ref. | Part | Description | Qty. | Ref. | Part | Description | Qty. |
|------|--------|--|------|------|--------|--|------|
| 1 | 24D047 | FRAME, hose reel, cart | 1 | 120▲ | 15F638 | LABEL, GMAX warning fire & skin | 1 |
| 2 | 156306 | WASHER, flat | 2 | 121▲ | 194126 | LABEL, warning | 1 |
| 3 | 119509 | WHEEL, pneumatic | 2 | 122▲ | 290228 | LABEL, caution | 1 |
| 4 | 15E891 | CLIP, retaining | 2 | 127 | 119569 | BUSHING, strain relief | 1 |
| 5 | 16C381 | TUBE, GMAX 5900/7900 | 1 | 130 | 16X821 | BOX, control | 1 |
| 9 | 17Y043 | GUN, Contractor PC, RAC X, 5900 | 1 | 133 | 114687 | CLIP, retainer | 1 |
| | 241705 | GUN, spray, texture, 5900 HD | 1 | 134 | 15F354 | FUNNEL, oil (not shown) | 1 |
| 11 | 237686 | WIRE, ground assembly w/ clamp | 1 | 143 | 116038 | WASHER, wave spring | 2 |
| 12 | 112798 | SCREW, thread forming, hex hd | 1 | 146 | 17E934 | LABEL, series, Pro | 1 |
| 14 | 276974 | CAP, leg | 2 | 151 | 240794 | HOSE, coupled, 1/4 in. x 50 ft, 5900 | 1 |
| 15 | 116080 | ENGINE, gas, 6.5 HP, Honda | 1 | | 240797 | HOSE, coupled, 3/8 in. x 50 ft, 5900 HD | 1 |
| 16 | 110837 | SCREW, flange, hex | 2 | 153 | 241735 | HOSE, cpd, 1/4 in. x 3 ft, 5900 HD | 1 |
| 17 | 110838 | NUT, lock | 2 | 154 | 159841 | BUSHING, 7250 psi, 3/8 x 1/4 in. 5900 HD | 1 |
| 18 | 183401 | KEY, parallel | 1 | 155 | 189018 | SWIVEL, assembly, 5900 HD | 1 |
| 19 | 15E277 | HOUSING, clutch, mach, 5900/7900 | 1 | 160 | | PACKING, o-ring | 1 |
| 20 | 108842 | SCREW, cap, hex hd | 4 | | 107505 | 5900 | |
| 21 | 100214 | WASHER, lock | 4 | | 102982 | 5900 HD | |
| 22 | 193680 | COLLAR, shaft | 1 | 164 | 15F947 | SHIELD, magnetic | 1 |
| 23† | 108803 | SCREW, hex, socket head | 6 | 171★ | 16X385 | PLATE, front, 5900, PC II | 1 |
| 24†★ | 105510 | WASHER, lock, spring (hi-collar) | 12 | 172★ | 16X324 | CLAMP, pump, large | 1 |
| 25† | | ARMATURE, clutch, 5 in. | 1 | 173★ | 101550 | SCREW, cap, sch | 2 |
| 26† | | HUB, armature | 1 | 174★ | 16C457 | HANGER, pail | 1 |
| 27† | | ROTOR, clutch, 5 in. | 1 | 175★ | 111040 | NUT, lock, insert, nylock, 5/16 | 2 |
| 28† | 101682 | SCREW, cap, sch | 4 | 176 | 120583 | NUT, hand | 1 |
| 29 | 287465 | HOUSING, pinion, 5900 | 1 | 177 | 16X833 | FITTING, quick disconnect, 3/8 npsm | 1 |
| 30 | 114672 | WASHER, thrust | 2 | ▲ | 16Y631 | LABEL, warning | 1 |
| 31 | 114699 | WASHER, thrust | 1 | ▲ | 16Y632 | LABEL, warning | 1 |
| 32 | 287460 | GEAR, combination, 5900 | 1 | ▲ | 16Y633 | LABEL, warning | 1 |
| 33 | 287469 | HOUSING, drive, 5900, <i>includes 33a, 33b</i> | 1 | ▲ | | CARD, Medical Alert | |
| 33a | 116192 | WASHER, thrust | 1 | | 222385 | English, French, Spanish | |
| 33b | 194173 | WASHER | 1 | | 17A134 | English, Chinese, Spanish | |
| 34 | 116618 | MAGNET | 1 | | 17R476 | English, Spanish, Portuguese | |
| 35 | 112395 | SCREW, cap, flng hd | 1 | | | | |
| 36 | 102962 | SCREW, cap sch | 4 | | | | |
| 37 | 104008 | WASHER, lock, spring | 4 | | | | |
| 38 | 15C753 | SCREW, mach, hex wash hd | 6 | | | | |
| 39 | 119562 | SWITCH, reed w/connector | 1 | | | | |
| 40★ | | HOUSING, bearing, 5900 | 1 | | | | |
| 41★ | 17E789 | SCREW, cap, socket head, SST | 4 | | | | |
| 42★ | 106115 | WASHER, lock (hi-collar) | 4 | | | | |
| 43 | 24V085 | ROD, connecting, 5900 | 1 | | | | |
| 44 | 16Y748 | COVER, front, 5900, <i>includes 45</i> | 1 | | | | |
| 45★ | 118444 | SCREW, mach, slot hex wash hd | 5 | | | | |
| 47 | | PUMP, displacement | | | | | |
| | 17H824 | 5900 (<i>includes 86, 89, 90</i>) | 1 | | | | |
| | 17H833 | 5900 HD, <i>includes 86</i> | 1 | | | | |
| 68 | 244240 | HOSE, coupled, <i>includes 69</i> | 1 | | | | |
| 69 | 241920 | DEFLECTOR, threaded | 1 | | | | |
| 76 | 114678 | BUSHING, strain relief | 1 | | | | |
| 79★ | 16X203 | CLIP, drain line | 1 | | | | |
| 82 | 15V573 | STRAINER, 1-11 1/2 NPSM, crushproof | 1 | | | | |
| 86 | | FITTING, pump, QD | 1 | | | | |
| | 16Y579 | 5900 | | | | | |
| | 16X834 | 5900 HD | | | | | |
| 87 | | HOSE, coupled | 1 | | | | |
| | 16X904 | 3/8 in., 5900 | | | | | |
| | 16X905 | 1/2 in., 5900 HD | | | | | |
| 89 | 248215 | TUBE, intake | 1 | | | | |
| 90 | 118494 | PACKING, o-ring | 1 | | | | |
| 98 | 125926 | FITTING, 90 deg | 1 | | | | |
| 99 | 113161 | SCREW, flange, hex hd | 3 | | | | |
| 100 | 278083 | GUIDE, hose | 1 | | | | |
| 101 | 117633 | SCREW, slot hex wash hd | 2 | | | | |
| 108 | 114528 | SCREW, mach, phillips, pnhd | 2 | | | | |
| 119 | | LABEL, front, GMAX II, 5900 | | | | | |
| | 17E929 | 5900 | 1 | | | | |
| | 17E936 | 5900 HD | 1 | | | | |

▲ Replacement Danger and Warning Labels, Tags and Cards are available at no cost.

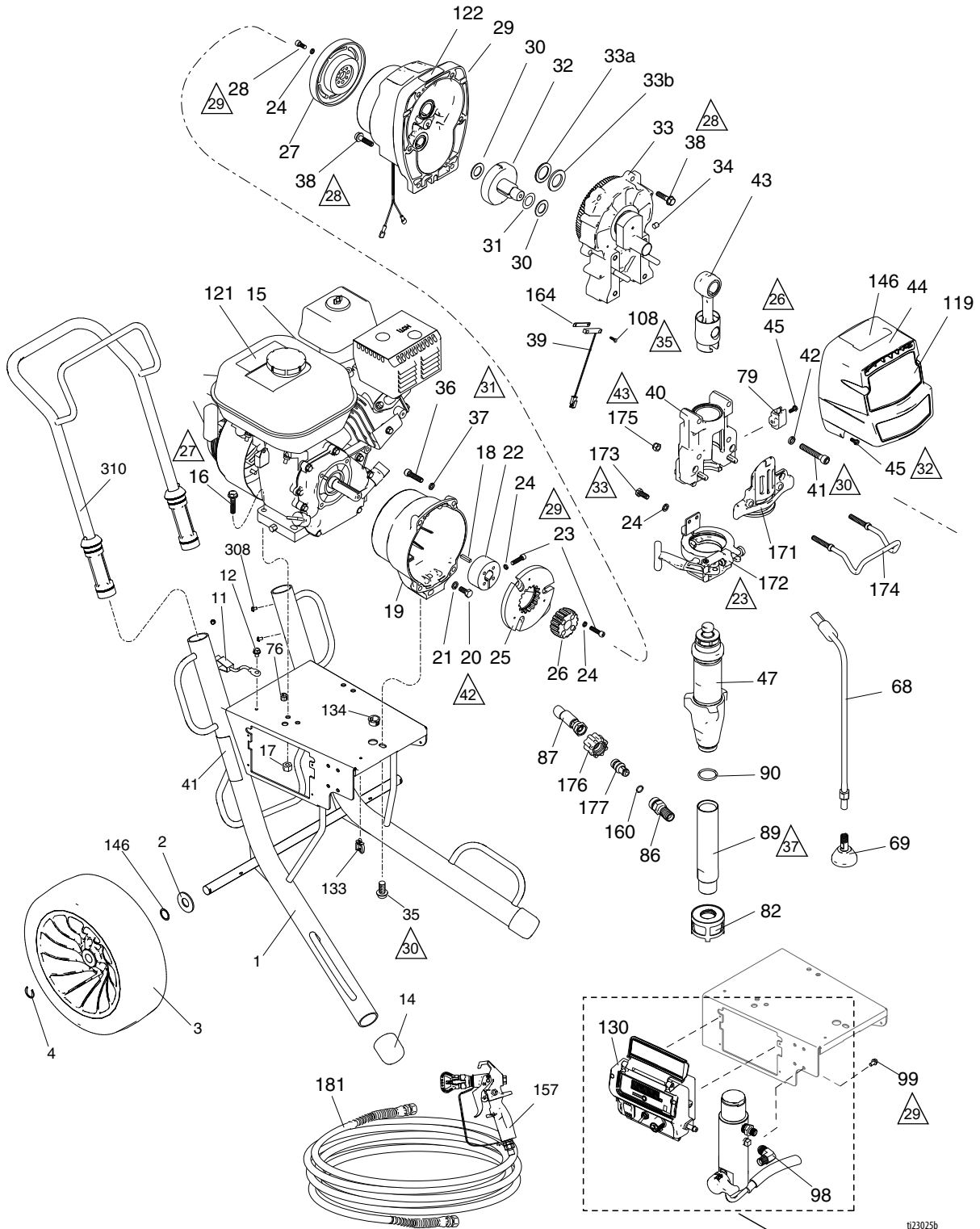
† Included in Clutch Replacement Kit 241113

★ Included in Bearing Housing Kit 24V088

Part Specifications:

| Ref. | Instruction |
|------|--|
| ▲2 | Inflate tires to 28-32 psi (1.93-2.21 bar/0.193-0.221 MPa) |
| ▲23 | Torque clamp adjustment bolt to 140-160 in-lb (15.8-18.1 N•m) with reference 47 installed and ProConnect in locked position. |
| ▲24 | Torque to 38-42 ft-lb (51.5-56.9 N•m) |
| ▲25 | Torque to 120-130 in-lb (13.6-14.7 N•m) |
| ▲26 | Torque to 40-45 in-lb (4.5-5.1 N•m) |
| ▲27 | Torque to 17-23 ft-lb (23.1-31.2 N•m) |
| ▲28 | Torque to 190-210 in-lb (21.5-23.7 N•m) |
| ▲29 | Torque to 115-135 in-lb (12.9-15.3 N•m) |
| ▲30 | Torque to 23-29 ft-lb (31.2-39.3 N•m) |
| ▲31 | Torque to 130-150 in-lb (14.7-15.9 N•m) |
| ▲32 | Torque to 30-45 in-lb (3.4-5.1 N•m) |
| ▲33 | Torque to 90-110 in-lb (10.2-12.4 N•m) |
| ▲35 | Torque to 8-12 in-lb (0.9-1.4 N•m) |
| ▲37 | Torque to 70-90 in-lb (7.9-10.2 N•m) |
| ▲42 | Torque to 170-190 in-lb (19.2-21.2 N•m) |
| ▲43 | Torque to 200-230 in-lb (22.6-25.9 N•m) |

GMAX II 5900 IronMan Series



t23025b

See pages 38 and 40

Parts List - GMAX II 5900 IronMan Series

| Ref. | Part | Description | Qty. | Ref. | Part | Description | Qty. |
|------|--------|--|------|------|--------|--------------------------------------|------|
| 1 | 287370 | FRAME, cart | 1 | 127 | 119569 | BUSHING, strain relief | 1 |
| 2 | 156306 | WASHER, flat | 2 | 130 | 16X821 | BOX, control | 1 |
| 3 | 17E687 | WHEEL, flat proof, black, 13 in | 2 | 133 | 114687 | CLIP, retainer | 1 |
| 4 | 120211 | CLIP, retaining | 2 | 134 | 15F354 | FUNNEL, oil (not shown) | 1 |
| 11 | 237686 | WIRE, ground assembly w/ clamp | 1 | 143 | 116038 | WASHER, wave spring | 2 |
| 12 | 112798 | SCREW, thread forming, hex hd | 1 | 146 | 17E935 | LABEL, series, GMAX, Ironman | 1 |
| 14 | 276974 | CAP, leg | 2 | 157 | 17Y043 | GUN, Contractor PC, RAC X | 1 |
| 15 | 116080 | ENGINE, gas, 6.5 HP, Honda | 1 | 160 | 107505 | PACKING, o-ring | 1 |
| 16 | 110837 | SCREW, flange, hex | 2 | 164 | 15F947 | SHIELD, magnetic | 1 |
| 17 | 110838 | NUT, lock | 2 | 171★ | 16X385 | PLATE, front, 5900, PC II | 1 |
| 18 | 183401 | KEY, parallel | 1 | 172★ | 16X324 | CLAMP, pump, large | 1 |
| 19 | 15E277 | HOUSING, clutch, mach, 5900/7900 | 1 | 173★ | 101550 | SCREW, cap, sch | 2 |
| 20 | 108842 | SCREW, cap, hex hd | 4 | 174★ | 16C457 | HANGER, pail | 1 |
| 21 | 100214 | WASHER, lock | 4 | 175★ | 111040 | NUT, lock, insert, nylock, 5/16 | 2 |
| 22 | 193680 | COLLAR, shaft | 1 | 176 | 120583 | NUT, hand | 1 |
| 23† | 108803 | SCREW, hex, socket head | 6 | 177 | 16X833 | FITTING, quick, disconnect, 3/8 npsm | 1 |
| 24† | 105510 | WASHER, lock, spring (hi-collar) | 12 | 181 | 240794 | HOSE, coupled, 1/4 in. x 50 ft | 1 |
| 25† | | ARMATURE, clutch, 5 in. | 1 | 308 | 108795 | SCREW, mach, pnh | 4 |
| 26† | | HUB, armature | 1 | 310 | 24A250 | HANDLE, cart | 1 |
| 27† | | ROTOR, clutch, 5 in. | 1 | ▲ | 16Y631 | LABEL, warning | 1 |
| 28† | 101682 | SCREW, cap, sch | 4 | ▲ | 16Y632 | LABEL, warning | 1 |
| 29 | 287465 | HOUSING, pinion, 5900 | 1 | ▲ | 16Y633 | LABEL, warning | 1 |
| 30 | 114672 | WASHER, thrust | 2 | ▲ | | CARD, Medical Alert | 1 |
| 31 | 114699 | WASHER, thrust | 1 | | 222385 | English, French, Spanish | |
| 32 | 287460 | GEAR, combination, 5900 | 1 | | 17A134 | English, Chinese, Spanish | |
| 33 | 287469 | HOUSING, drive, 5900, <i>includes 33a, 33b</i> | 1 | | 17R476 | English, Spanish, Portuguese | |
| 33a | 116192 | WASHER, thrust | 1 | | | | |
| 33b | 194173 | WASHER | 1 | | | | |
| 34 | 116618 | MAGNET | 1 | | | | |
| 35 | 112395 | SCREW, cap, flng hd | 1 | | | | |
| 36 | 102962 | SCREW, cap sch | 4 | | | | |
| 37 | 104008 | WASHER, lock, spring | 4 | | | | |
| 38 | 15C753 | SCREW, mach, hex wash hd | 6 | | | | |
| 39 | 119562 | SWITCH, reed w/connector | 1 | | | | |
| 40★ | | HOUSING, bearing, 5900 | 1 | | | | |
| 41★ | 17E789 | SCREW, cap, socket head, SST | 4 | | | | |
| 42 | 106115 | WASHER, lock (hi-collar) | 4 | | | | |
| 43 | 24V085 | ROD, connecting, 5900 | 1 | | | | |
| 44 | 16Y748 | COVER, front, 5900, <i>includes 45</i> | 1 | | | | |
| 45★ | 118444 | SCREW, mach, slot hex wash hd | 5 | | | | |
| 47 | 17H826 | PUMP, displacement, 5900, <i>includes 86, 89, 90</i> | 1 | | | | |
| 68 | 244240 | HOSE, coupled, <i>includes 69</i> | 1 | | | | |
| 69 | 241920 | DEFLECTOR, threaded | 1 | | | | |
| 76 | 114678 | BUSHING, strain relief | 1 | | | | |
| 79★ | 16X203 | CLIP, drain line | 1 | | | | |
| 82 | 15V573 | STRAINER, 1-11 1/2 NPSM, crushproof | 1 | | | | |
| 86 | 16Y579 | FITTING | 1 | | | | |
| 87 | 16X904 | HOSE, coupled | 1 | | | | |
| 89 | 248215 | TUBE, intake | 1 | | | | |
| 90 | 118494 | PACKING, o-ring | 1 | | | | |
| 98 | 125926 | FITTING, 90 deg | 1 | | | | |
| 99 | 113161 | SCREW, flange, hex hd | 3 | | | | |
| 108 | 114528 | SCREW, mach, phillips, pnhd | 2 | | | | |
| 119 | 17E929 | LABEL, brand, GMAX 5900 | 1 | | | | |
| 120▲ | 15F638 | LABEL, GMAX warning fire & skin | 1 | | | | |
| 121▲ | 194126 | LABEL, warning | 1 | | | | |
| 122▲ | 290228 | LABEL, caution | 1 | | | | |

▲ Replacement Danger and Warning Labels, Tags and Cards are available at no cost.

† Included in Clutch Replacement Kit 241113

★ Included in Bearing Housing Kit 24V088

Part Specifications:

| Ref. | Instruction |
|------|--|
| ▲23 | Torque clamp adjustment bolt to 140-160 in-lb (15.8-18.1 N•m) with reference 47 installed and ProConnect in locked position. |
| ▲26 | Torque to 40-45 in-lb (4.5-5.1 N•m) |
| ▲27 | Torque to 17-23 ft-lb (23.1-31.2 N•m) |
| ▲28 | Torque to 190-210 in-lb (21.5-23.7 N•m) |
| ▲29 | Torque to 115-135 in-lb (12.9-15.3 N•m) |
| ▲30 | Torque to 23-29 ft-lb (31.2-39.4 N•m) |
| ▲31 | Torque to 130-150 in-lb (14.7-16.9 N•m) |
| ▲32 | Torque to 30-45 in-lb (3.4-5.1 N•m) |
| ▲33 | Torque to 90-110 in-lb (10.2-12.4 N•m) |
| ▲35 | Torque to 8-12 in-lb (0.9-1.4 N•m) |
| ▲37 | Torque to 70-90 in-lb (7.9-10.2 N•m) |
| ▲42 | Torque to 170-190 in-lb (19.2-21.5 N•m) |
| ▲43 | Torque to 200-230 in-lb (22.6-25.9 N•m) |

Parts List - GMAX II 5900 Convertible Series

| Ref. | Part | Description | Qty. | Ref. | Part | Description | Qty. |
|------|--------|--|------|------|--------|------------------------------|------|
| 1 | 19B275 | FRAME, cart | 1 | 134 | 198772 | COLLAR, torsion bar | 2 |
| 2 | 156306 | WASHER, flat | 2 | 142 | 119584 | CORD, power, convertible | 1 |
| 3 | 119509 | WHEEL, pneumatic | 2 | 145 | 100078 | SCREW, thd forming, hex hd | 4 |
| 4 | 15E891 | CLIP, retaining | 2 | 146 | 198996 | BRACKET, belt guide | 1 |
| 8 | 108795 | SCREW, mach, pnh | 4 | 147 | 193547 | BELT, Vee, 30 | 1 |
| 9 | 121727 | SCREW, cap, hex hd | 1 | 148 | 198691 | GUARD, belt | 1 |
| 10 | 24A250 | HANDLE, cart | 1 | 150★ | 278204 | CLIP, drain line | 1 |
| 11 | 237686 | WIRE, ground assembly w/ clamp | 1 | 151 | 116038 | WASHER, wave spring | 2 |
| 12 | 112798 | SCREW, thread forming, hex hd | 1 | 155 | 15F354 | FUNNEL, oil (not shown) | 1 |
| 14 | 276974 | CAP, leg | 2 | 169 | 16X822 | BOX, control | 1 |
| 18 | 117632 | KEY, square, 3/16 | 2 | 172 | 15C762 | SHIELD, pump rod | 1 |
| 19 | 287519 | HOUSING, clutch | 1 | 173 | 119569 | BUSHING, strain relief | 1 |
| 24* | 105510 | WASHER, lock, spring (hi-collar) | 4 | 174 | 119778 | SPRING, retaining | 1 |
| 27* | | ROTOR, clutch, 5 in. | 1 | 182▲ | 15F638 | LABEL, warning | 1 |
| 28* | 101682 | SCREW, cap, sch | 4 | 185 | 17E933 | LABEL, series, GMAX, std | 1 |
| 29 | 287465 | HOUSING, pinion, 5900 | 1 | 187★ | 16X770 | SHIELD, pump rod | 1 |
| 30 | 114672 | WASHER, thrust | 2 | 188★ | 16C457 | HANGER, pail | 1 |
| 31 | 114699 | WASHER, thrust | 1 | 189 | 193031 | NUT, retaining | 1 |
| 32 | 287460 | GEAR, combination | 1 | 190 | 114687 | CLIP, retainer | 1 |
| 33 | 287700 | HOUSING, drive, convert | 1 | 198 | 17Y043 | GUN, Contractor PC, RAC X | 1 |
| 35 | 112395 | SCREW, cap, flng hd | 3 | ▲ | 16Y631 | LABEL, warning | 1 |
| 36 | 102962 | SCREW, cap sch | 4 | ▲ | 16Y632 | LABEL, warning | 1 |
| 37 | 104008 | WASHER, lock, spring | 4 | ▲ | 16Y633 | LABEL, warning | 1 |
| 38 | 15C753 | SCREW, mach, torx, hex wash hd | 6 | ▲ | | CARD, Medical Alert | |
| 40★ | | HOUSING, bearing | 1 | | 222385 | English, French, Spanish | |
| 41★ | 17E789 | SCREW, cap, socket head, SST | 4 | | 17A134 | English, Chinese, Spanish | |
| 42★ | 106115 | WASHER, lock spring (hi-collar) | 4 | | 17R476 | English, Spanish, Portuguese | |
| 43 | 24V021 | ROD, connecting | 1 | | | | |
| 44 | 16Y748 | COVER, front; <i>includes 45</i> | 1 | | | | |
| 45★ | 118444 | SCREW, machine hex washer head | 8 | | | | |
| 47 | 16Y706 | PUMP, displacement, <i>includes 86, 89, 90</i> | 1 | | | | |
| 52★ | 111040 | NUT, lock, insert, nylock, 5/16 | 2 | | | | |
| 61 | 112717 | WASHER | 1 | | | | |
| 62 | 198688 | PULLEY, engine | 1 | | | | |
| 63 | 114425 | BUSHING, strain relief | 1 | | | | |
| 68 | 244240 | HOSE, coupled, <i>includes 69</i> | 1 | | | | |
| 69 | 241920 | DEFLECTOR, threaded | 1 | | | | |
| 78 | 240794 | HOSE, coupled, 1/4 in. x 50 ft | 1 | | | | |
| 82 | 189920 | STRAINER, (1-11 1/2 npsm) | 1 | | | | |
| 86 | 196178 | FITTING, pump | 1 | | | | |
| 87 | 16Y667 | HOSE, coupled | 1 | | | | |
| 88 | 15F856 | PIN, pump | 1 | | | | |
| 89† | 248215 | TUBE, intake | 1 | | | | |
| 90† | 118494 | O-RING | 1 | | | | |
| 91 | 122533 | FITTING, 45 deg | 1 | | | | |
| 98 | 113161 | SCREW, flange, hex hd | 3 | | | | |
| 114 | 17E931 | LABEL, brand, GMAX 5900 | 1 | | | | |
| 117▲ | 290228 | LABEL, caution | 1 | | | | |
| 118▲ | 804495 | LABEL, warning | 1 | | | | |
| 119 | 195098 | LABEL, instruction (English) | 1 | | | | |
| 132 | 245688 | BAR, torsion, <i>includes 133, 134</i> | 1 | | | | |
| 133 | 114808 | CAP, vinyl | 1 | | | | |

▲ Replacement Danger and Warning labels, tags, and cards are available at no cost.

* Included in Clutch Repair Kit 24113

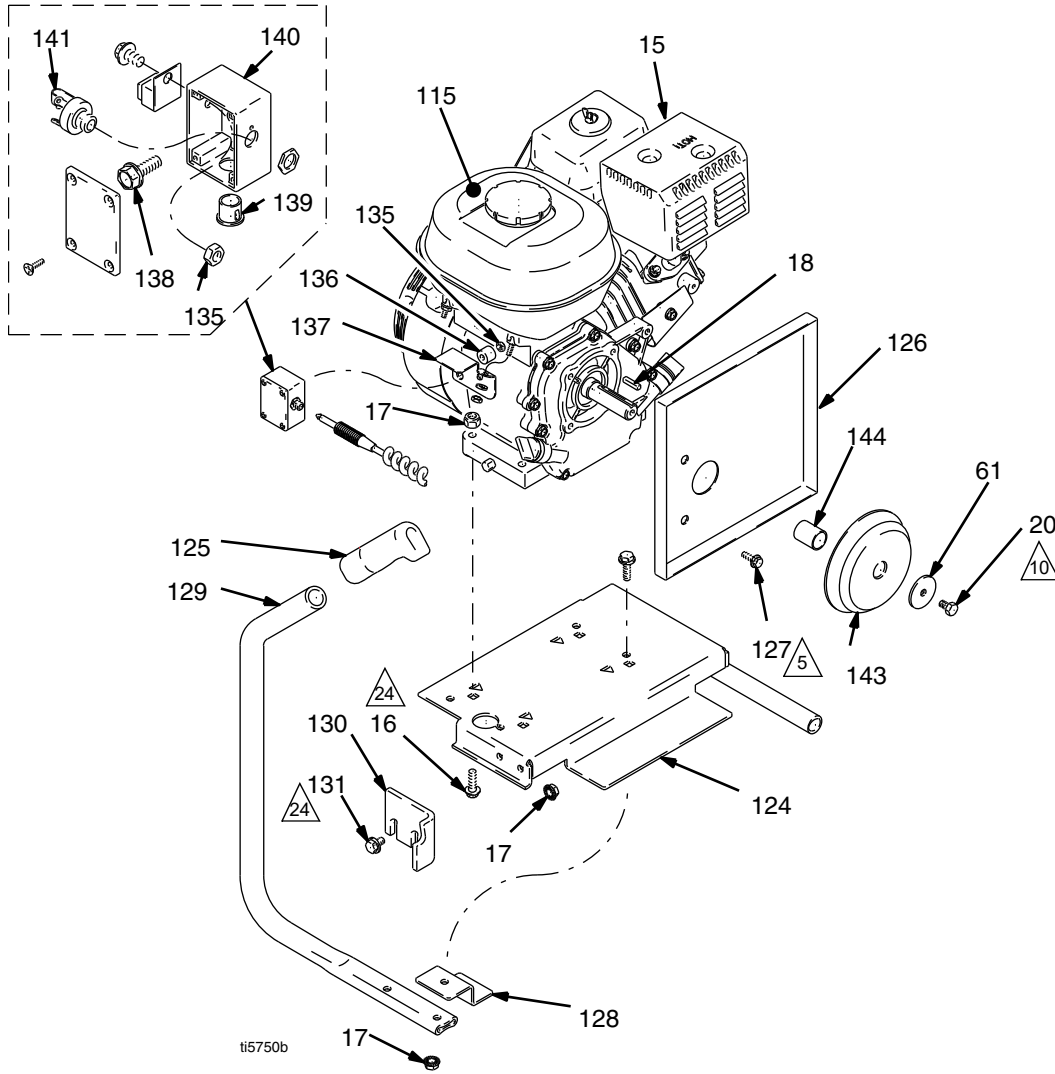
★ Included in Bearing Housing Kit 24V027

Part Specifications:

| Ref. | Instruction |
|------|--|
| ▲5 | Torque to 190-210 in-lb (21.5-23.7 N•m) |
| ▲6 | Torque to 30-35 in-lb (3.4-3.9 N•m) |
| ▲10 | Torque to 115-135 in-lb (12.9-15.3 N•m) |
| ▲14 | Torque to 130-150 in-lb (14.7-16.9 N•m) |
| ▲18 | Inflate tires to 28-32 psi (1.93-2.21 bar/0.193-0.221 MPa) |
| ▲20 | Torque to 10-15 in-lb (1.1-1.7 N•m) |
| ▲21 | Torque to 20-30 ft-lb (27.1-40.1 N•m) |
| ▲35 | Torque to 25-35 in-lb (2.8-3.9 N•m) |
| ▲41 | Torque to 200-230 in-lb (22.5-25.9 N•m) |
| ▲43 | Torque to 75 +/- 5 ft-lb (101.6 +/- 6.7 N•m) |
| ▲44 | Torque to 70-90 in-lb (7.9-10.1 N•m) |


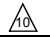


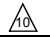


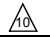

GMAX II 5900 Convertible Series

Engine Detail



GMAX II 5900 Convertible Series

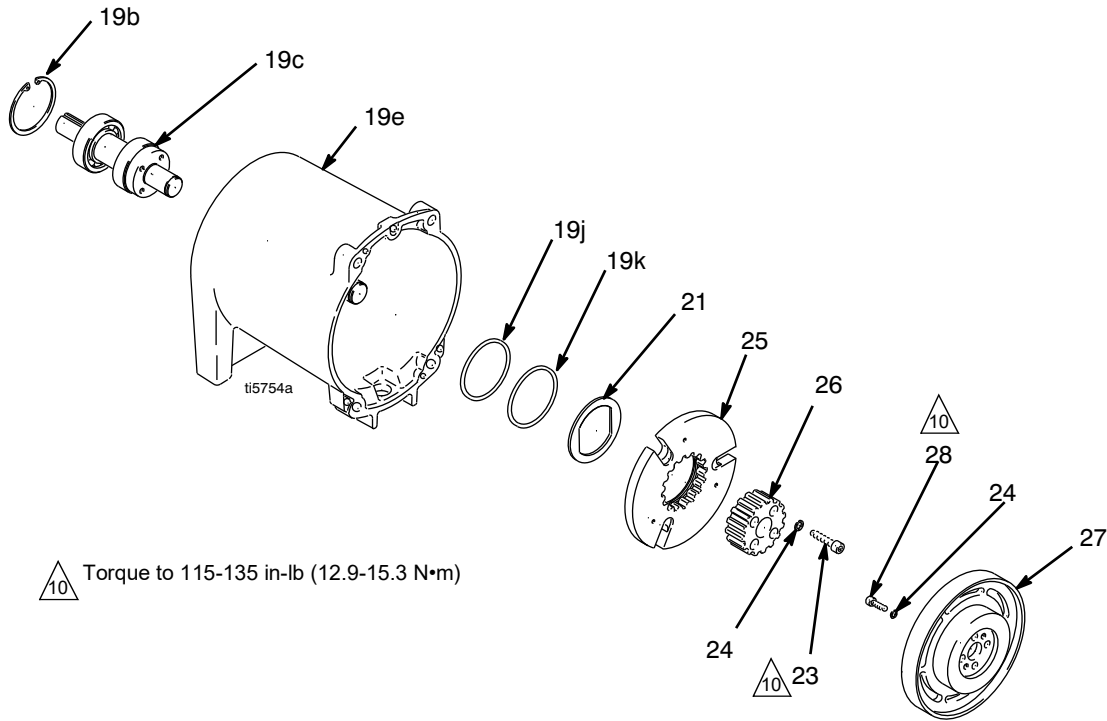
Engine Detail - Parts List

| Ref. | Part | Description | Qty. | Ref. | Part | Description | Qty. | | | | | | | | |
|---|---|-----------------------------|------|--|--------|----------------------------|------|------|-------------|---|---|---|---|---|---------------------------------------|
| 15 | 116080 | ENGINE, gas, 6.5 Honda | 1 | 136 | 116149 | SPACER | 1 | | | | | | | | |
| 16 | 114653 | SCREW, cap, flange hd | 4 | 137 | 194414 | BRACKET, J-box | 1 | | | | | | | | |
| 17 | 110996 | NUT, flng hd, hex | 6 | 138 | 114813 | SCREW, mach, hex washer hd | 1 | | | | | | | | |
| 18 | 183401 | KEY, parallel | 1 | 139 | 114678 | BUSHING, snap | 1 | | | | | | | | |
| 20 | 119717 | SCREW, cap, hex hd | 1 | 140 | 194181 | BOX, junction, engine | 1 | | | | | | | | |
| 61 | 112717 | WASHER | 1 | 141 | 114805 | JACK, 1/4 engine | 1 | | | | | | | | |
| 115 | 194126 | LABEL, warning | 1 | 143 | 15E896 | PULLEY, engine | 1 | | | | | | | | |
| 124 | 245272 | BASE, mounting | 1 | 144 | 15B314 | SLEEVE, motor shaft | 1 | | | | | | | | |
| 125 | 116139 | GRIP, handle | 2 | Part Specifications: | | | | | | | | | | | |
| 126 | 198689 | BRACKET, belt guard (motor) | 1 | <table border="1"> <thead> <tr> <th>Ref.</th> <th>Instruction</th> </tr> </thead> <tbody> <tr> <td></td> <td>Torque to 190-210 in-lb (21.5-23.7 N•m)</td> </tr> <tr> <td></td> <td>Torque to 115-135 in-lb (12.9-15.3 N•m)</td> </tr> <tr> <td></td> <td>Torque to 17-23 ft-lb (23.0-31.1 N•m)</td> </tr> </tbody> </table> | | | | Ref. | Instruction |  | Torque to 190-210 in-lb (21.5-23.7 N•m) |  | Torque to 115-135 in-lb (12.9-15.3 N•m) |  | Torque to 17-23 ft-lb (23.0-31.1 N•m) |
| Ref. | Instruction | | | | | | | | | | | | | | |
|  | Torque to 190-210 in-lb (21.5-23.7 N•m) | | | | | | | | | | | | | | |
|  | Torque to 115-135 in-lb (12.9-15.3 N•m) | | | | | | | | | | | | | | |
|  | Torque to 17-23 ft-lb (23.0-31.1 N•m) | | | | | | | | | | | | | | |
| 127 | 112406 | SCREW | 3 | | | | | | | | | | | | |
| 128 | 198997 | BRACKET, tension | 1 | | | | | | | | | | | | |
| 129 | 198693 | HANDLE, slide, engine | 2 | | | | | | | | | | | | |
| 130 | 198695 | BRACKET, torsion bar | 1 | | | | | | | | | | | | |
| 131 | 110963 | SCREW, cap, hex hd, flange | 2 | | | | | | | | | | | | |
| 135 | 114816 | NUT, hex | 1 | | | | | | | | | | | | |

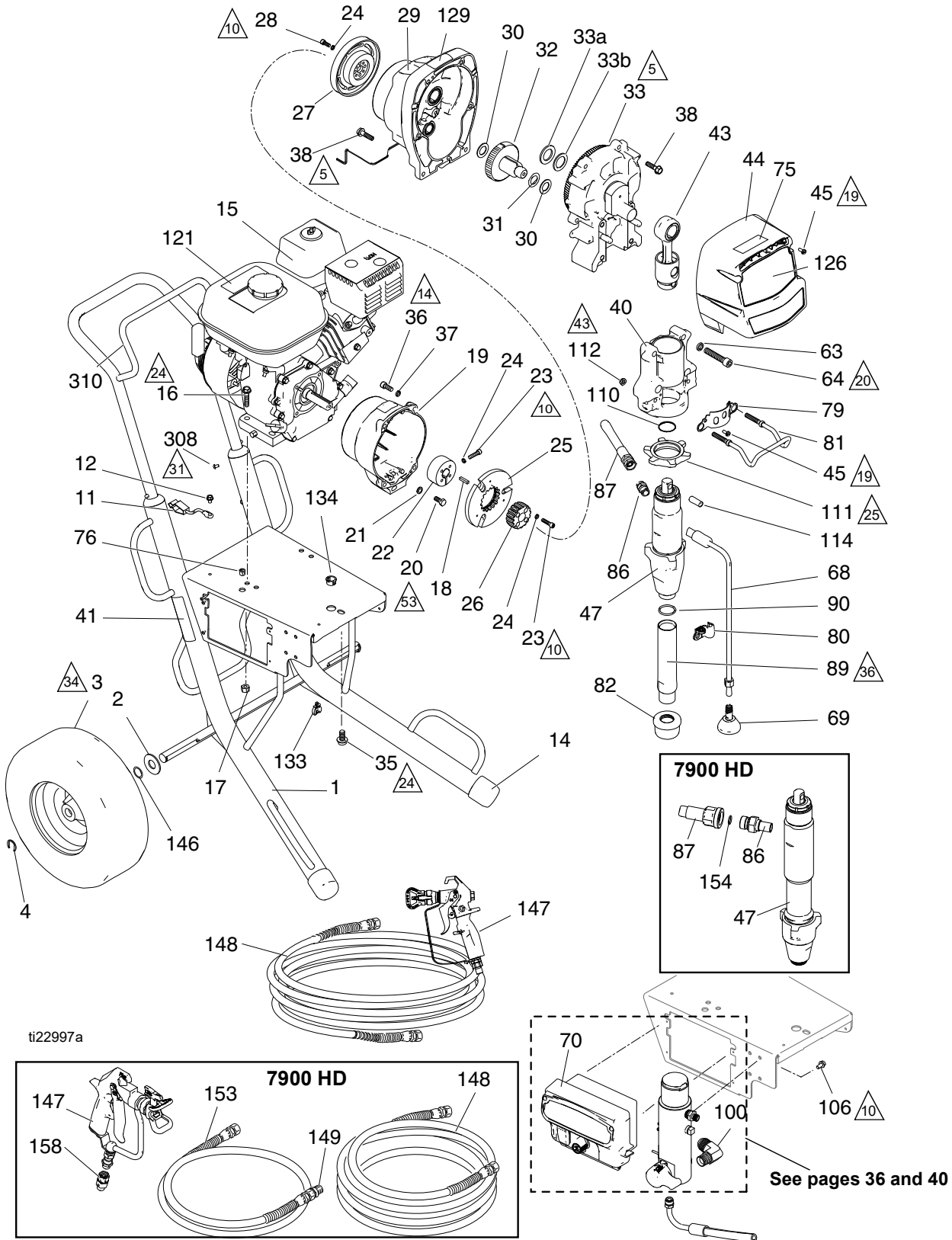
GMAX II 5900 Convertible Series

Clutch Housing - Parts Drawing and List

| Ref | Part | Description | Qty | Ref | Part | Description | Qty |
|-----|---------|--|-----|--|---------|----------------------------------|-----|
| 19 | 287519 | HOUSING, clutch, <i>includes 19b, 19c, 19e, 19j & 19k</i> | 1 | 24 | 105510* | WASHER, lock, spring (hi-collar) | 8 |
| 19b | 114962 | RING, retaining, internal | 1 | 25 | * | ARMATURE, clutch, 5 in. | 1 |
| 19c | 287422 | SHAFT, drive, input | 1 | 26 | | HUB, armature | 1 |
| 19e | 15E887 | HOUSING, clutch | 1 | 27 | * | ROTOR, clutch, 5 in. | 1 |
| 19j | 115078 | O-RING | 1 | 28 | 101682* | SCREW, cap, sch | 4 |
| 19k | 115079 | O-RING | 1 | * Included in Clutch Repair Kit 241113 | | | |
| 21 | 15E894 | STOP, armature | 1 | | | | |
| 23 | 108803* | SCREW, hex, socket head | 4 | | | | |



GMAX II 7900 and 7900 HD Standard Series



Parts List - GMAX II 7900 and 7900 HD Standard Series

| Ref. | Part | Description | Qty. | Ref. | Part | Description | Qty. |
|------|--------|--|------|------|---------|---|------|
| 1 | 287370 | FRAME | 1 | 106 | 113161 | SCREW, flange, hex hd | 3 |
| 2 | 156306 | WASHER, flat | 2 | 110 | 119677 | SPRING, retaining | 1 |
| 3 | 119509 | WHEEL, pneumatic | 2 | 111 | 193394 | NUT, retaining | 1 |
| 4 | 15E891 | CLIP, retaining | 2 | 112 | 111040★ | NUT, lock, insert, nylock, 5/16 | 2 |
| 11 | 237686 | WIRE, ground assembly w/ clamp | 1 | 114 | 19B144 | PIN, pump | 1 |
| 12 | 112798 | SCREW, thread forming, hex hd | 1 | 121▲ | 194126 | LABEL, warning | 1 |
| 14 | 276974 | CAP, leg | 2 | 126 | 17E930 | LABEL, identification, 7900 | 1 |
| 15 | 116080 | ENGINE, gas, 6.5 HP, Honda | 1 | | 17E937 | LABEL, identification, 7900 HD | 1 |
| 16 | 110837 | SCREW, flange, hex | 2 | 129▲ | 290228 | LABEL, caution | 1 |
| 17 | 110838 | NUT, lock | 2 | 133 | 114687 | CLIP, retainer | 1 |
| 18 | 183401 | KEY, parallel | 1 | 134 | 119569 | BUSHING, strain relief | 1 |
| 19 | 15E277 | HOUSING, clutch, mach, 5900/7900 | 1 | 145 | 15F354 | FUNNEL, oil (not shown) | 1 |
| 20 | 108842 | SCREW, cap, hex hd | 4 | 146 | 116038 | WASHER, wave spring | 2 |
| 21 | 100214 | WASHER, lock | 4 | 147 | 17Y043 | GUN, Contractor PC, RAC X, 7900 | 1 |
| 22 | 193680 | COLLAR, shaft | 1 | | 241705 | GUN, spray, texture, 7900 HD | 1 |
| 23† | 108803 | SCREW, hex, socket head | 6 | 148 | 240794 | HOSE, cpld, 1/4 in. x 50 ft., 7900 | 1 |
| 24† | 105510 | WASHER, lock, spring | 10 | | 240797 | HOSE, cpld, 3/8 in. x 50 ft., 7900 HD | 1 |
| 25† | | ARMATURE, clutch, 5 in. | 1 | 149 | 159841 | BUSHING, 7250 psi, 3/8 x 1/4 in., 7900 HD | 1 |
| 26† | | HUB, armature | 1 | 153 | 241735 | HOSE, coupled, 1/4 in. x 3 ft, 7900 HD | 1 |
| 27† | | ROTOR, clutch, 5 in. | 1 | 154 | 102982 | O-RING, 7900 HD | 1 |
| 28† | 101682 | SCREW, cap, sch | 4 | 158 | 189018 | SWIVEL, assembly, 7900 HD | 1 |
| 29 | 287466 | HOUSING, pinion, 7900 | 1 | 308 | 108795 | SCREW, mach, pnh | 4 |
| 30 | 114672 | WASHER, thrust | 2 | 310 | 24A250 | HANDLE, cart | 1 |
| 31 | 114699 | WASHER, thrust | 1 | | 17H899 | KIT, gauge, 1/4" (not shown) | 1 |
| 32 | 287459 | GEAR, combination, 7900 | 1 | | 17H900 | KIT, gauge, 3/8" (not shown) | 1 |
| 33 | 287470 | HOUSING, drive, 7900, <i>includes 33a,33b</i> | 1 | ▲ | 16Y631 | LABEL, warning | 1 |
| 33a | 116192 | WASHER, thrust | 1 | ▲ | 16Y632 | LABEL, warning | 1 |
| 33b | 194173 | WASHER | 1 | ▲ | 16Y633 | LABEL, warning | 1 |
| 35 | 112395 | SCREW, cap, flng hd | 1 | ▲ | | CARD, Medical Alert | |
| 36 | 102962 | SCREW, cap sch | 4 | | 222385 | English, French, Spanish | |
| 37 | 104008 | WASHER, lock, spring | 4 | | 17A134 | English, Chinese, Spanish | |
| 38 | 15C753 | SCREW, mach, hex wash hd | 6 | | 17R476 | English, Spanish, Portuguese | |
| 40★ | | HOUSING, bearing, 7900 | 1 | | | | |
| 41▲ | 15F638 | LABEL, GMAX warning fire & skin | 1 | | | | |
| 43 | 24V022 | ROD, connecting, 7900 | 1 | | | | |
| 44 | 16Y749 | COVER, front, 7900 (includes 45) | 1 | | | | |
| 45★ | 118444 | SCREW, mach, slot hex wash hd | 6 | | | | |
| 47 | 16X423 | PUMP, displacement, 7900, <i>includes 86, 89, 90</i> | 1 | | | | |
| | 17H831 | PUMP, displacement, 7900 HD, <i>includes 86</i> | 1 | | | | |
| 63★ | 112600 | WASHER, lock, spring | 4 | | | | |
| 64★ | 17E790 | SCREW, cap, socket head, SST | 4 | | | | |
| 68 | 244240 | HOSE, coupled, <i>includes 69</i> | 1 | | | | |
| 69 | 241920 | DEFLECTOR, threaded | 1 | | | | |
| 70 | 16X822 | BOX, control, standard | 1 | | | | |
| 75 | 17E933 | LABEL, series, std | 1 | | | | |
| 76 | 114678 | BUSHING, strain relief | 1 | | | | |
| 79★ | 16X770 | SHIELD, pump rod | 1 | | | | |
| 80★ | 278204 | CLIP, drain line | 1 | | | | |
| 81 | 16C457 | HANGER, pail | 1 | | | | |
| 82 | 189920 | STRAINER, (1-11 1/2 NPSM) | 1 | | | | |
| 86 | | FITTING, pump | | | | | |
| | 196178 | 7900 | 1 | | | | |
| | 16X835 | 7900 HD | 1 | | | | |
| 87 | | HOSE, coupled | | | | | |
| | 16X909 | 7900 | 1 | | | | |
| | 16X905 | 7900 HD | 1 | | | | |
| 89 | 248215 | TUBE, intake, <i>includes 90</i> | 1 | | | | |
| 90 | 118494 | PACKING, o-ring, 7900 | 1 | | | | |
| 100 | 125926 | FITTING, 90 deg | 1 | | | | |

▲ Replacement Danger and Warning Labels, Tags and Cards are available at no cost.

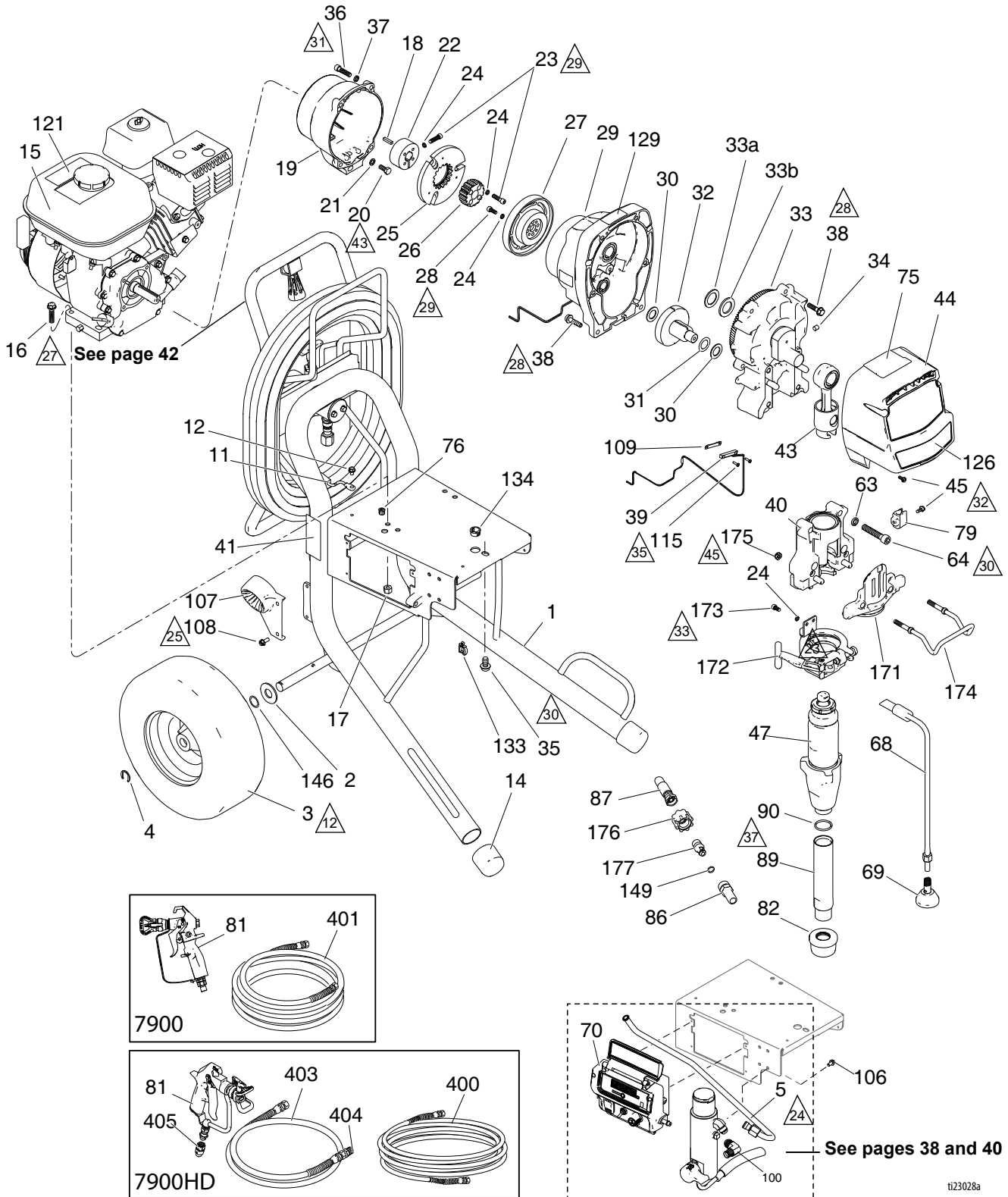
† Included in Clutch Replacement Kit 241113

★ Included in Bearing Housing Kit 24V028

Part Specifications:

| Ref. | Instruction |
|------|--|
| 5 | Torque to 190-210 in-lb (21.5-23.7 N•m) |
| 10 | Torque to 115-135 in-lb (12.9-15.3 N•m) |
| 14 | Torque to 130-150 in-lb (14.7-16.9 N•m) |
| 19 | Torque to 30-35 in-lb (3.4-3.9 N•m) |
| 20 | Torque to 35-45 ft-lb (47.5-61.0 N•m) |
| 24 | Torque to 20 +/- 3 ft-lb (21.7 +/- 4.1 N•m) |
| 25 | Torque to 75 +/- 5 ft-lb (101.7 +/- 6.8 N•m) |
| 31 | Torque to 25-35 in-lb (2.8-3.9 N•m) |
| 34 | Inflate tires to 28-32 psi (1.93-2.21 bar/0.193-0.221 MPa) |
| 36 | Torque to 70-90 in-lb (7.9-10.2 N•m) |
| 43 | Torque to 200-230 in-lb (22.6-25.6 N•m) |
| 53 | Torque to 170-190 in-lb (19.2-21.5 N•m) |

GMAX II 7900 and 7900 HD ProContractor Series



Parts List - GMAX II 7900 and 7900 HD ProContractor Series

| Ref. | Part | Description | Qty. | Ref. | Part | Description | Qty. | |
|------|--------|---|------|------|--------|--|---|---|
| 1 | 24D047 | FRAME, hose reel | 1 | 109 | 15F947 | SHIELD, magnetic | 1 | |
| 2 | 156306 | WASHER, flat | 2 | 115 | 114528 | SCREW, mach, phillips, pnhd | 2 | |
| 3 | 119509 | WHEEL, pneumatic | 2 | 121▲ | 194126 | LABEL, warning | 1 | |
| 4 | 15E891 | CLIP, retaining | 2 | 126 | 17E930 | LABEL, identification, 7900 | 1 | |
| 5 | 16C381 | TUBE, hydraulic, GMAX 5900/7900 | 1 | | 17E937 | LABEL, identification, 7900 | | |
| 11 | 237686 | WIRE, ground assembly w/ clamp | 1 | 129 | 290228 | LABEL, caution | 1 | |
| 12 | 112798 | SCREW, thread forming, hex hd | 1 | 133 | 114687 | CLIP, retainer | 1 | |
| 14 | 276974 | CAP, leg | 2 | 134 | 119569 | BUSHING, strain relief | 1 | |
| 15 | 116080 | ENGINE, gas, 6.5 HP, Honda | 1 | 143 | 15F354 | FUNNEL, oil (not shown) | 1 | |
| 16 | 110837 | SCREW, flange, hex | 2 | 146 | 116038 | WASHER, wave spring | 2 | |
| 17 | 110838 | NUT, lock | 2 | 149 | | O-RING | | |
| 18 | 183401 | KEY, parallel | 1 | | 107505 | 7900 | 1 | |
| 19 | 15E277 | HOUSING, clutch, mach (5900/7900) | 1 | | 102982 | 7900 HD | 1 | |
| 20 | 108842 | SCREW, cap, hex hd | 4 | 171★ | 16X209 | PLATE, front, ProConnect II | 1 | |
| 21 | 100214 | WASHER, lock | 4 | 172★ | 16X324 | CLAMP, pump, large | 1 | |
| 22 | 193680 | COLLAR, shaft | 1 | 173★ | 101550 | SCREW, cap, sch | 2 | |
| 23† | 108803 | SCREW, hex, socket head | 6 | 174★ | 16C457 | HANGER, pail | 1 | |
| 24† | 105510 | WASHER, lock, spring | 12 | 175★ | 112746 | NUT, lock, nylon, thin pattern | 2 | |
| 25† | | ARMATURE, clutch, 5 in. | 1 | 176 | 120583 | NUT, hand, 7900 only | 1 | |
| 26† | | HUB, armature | 1 | 177 | 16X833 | FITTING, quick disconnect, 3/8 npsm, 7900 only | 1 | |
| 27† | | ROTOR, clutch, 5 in. | 1 | | 400 | 240797 | HOSE, coupled, 3/8 in. x 50 ft, 7900 HD | 1 |
| 28† | 101682 | SCREW, cap, sch | 4 | 401 | 240794 | HOSE, coupled, 1/4 in. x 50 ft, 7900 | 1 | |
| 29 | 287466 | HOUSING, pinion, 7900 | 1 | 403 | 241735 | HOSE, coupled, 1/4 in. x 3 ft mx/ft, 7900 HD | 1 | |
| 30 | 114672 | WASHER, thrust | 2 | 404 | 159841 | BUSHING, 7250 psi, 3/8 x 1/4 in., 7900 HD | 1 | |
| 31 | 114699 | WASHER, thrust | 1 | 405 | 189018 | SWIVEL | 1 | |
| 32 | 287459 | GEAR, combination, 7900 | 1 | ▲ | 16Y631 | LABEL, warning | 1 | |
| 33 | 287470 | HOUSING, drive, 7900, includes 33a, 33b | 1 | ▲ | 16Y632 | LABEL, warning | 1 | |
| 33a | 116192 | WASHER, thrust | 1 | ▲ | 16Y633 | LABEL, warning | 1 | |
| 33b | 194173 | WASHER | 1 | ▲ | | CARD, Medical Alert | | |
| 34 | 116618 | MAGNET | 1 | | 222385 | English, French, Spanish | | |
| 35 | 112395 | SCREW, cap, flng hd | 1 | | 17A134 | English, Chinese, Spanish | | |
| 36 | 102962 | SCREW, cap sch | 4 | | 17R476 | English, Spanish, Portuguese | | |
| 37 | 104008 | WASHER, lock, spring | 4 | | | | | |
| 38 | 15C753 | SCREW, mach, hex wash hd | 6 | | | | | |
| 39 | 119562 | SWITCH, reed w/connector | 1 | | | | | |
| 40★ | | HOUSING, bearing, 7900 | 1 | | | | | |
| 41▲ | 15F638 | LABEL, GMAX warning fire & skin | 1 | | | | | |
| 43 | 24V086 | ROD, connecting, 7900 | 1 | | | | | |
| 44 | 16Y749 | COVER, front, 7900, includes 45 | 1 | | | | | |
| 45★ | 118444 | SCREW, mach, slot hex wash hd | 5 | | | | | |
| 47 | 17H825 | PUMP, displacement, 7900, includes 86, 89, 90 | 1 | | | | | |
| | 17H835 | PUMP, displacement, 7900 HD, includes 86 | | | | | | |
| 63★ | 112600 | WASHER, lock, spring | 4 | | | | | |
| 64★ | 17E790 | SCREW, cap, socket head, SST | 4 | | | | | |
| 68 | 244240 | HOSE, coupled, includes 69 | 1 | | | | | |
| 69 | 241920 | DEFLECTOR, threaded | 1 | | | | | |
| 70 | 16X821 | BOX, control | 1 | | | | | |
| 75 | 17E934 | LABEL, series, Pro | 1 | | | | | |
| 76 | 114678 | BUSHING, strain relief | 1 | | | | | |
| 79★ | 16X203 | CLIP, drain line | 1 | | | | | |
| 81 | 17Y043 | GUN, Contractor PC, RAC X, 7900 | 1 | | | | | |
| | 241705 | GUN, spray, texture, 7900 HD | 1 | | | | | |
| 82 | 15V573 | STRAINER, 1-11 1/2 NPSM, crushproof | 1 | | | | | |
| 86 | | FITTING, pump | | | | | | |
| | 16Y579 | 7900 | 1 | | | | | |
| | 16X835 | 7900 HD | 1 | | | | | |
| 87 | | HOSE, coupled | | | | | | |
| | 16X904 | 7900 | 1 | | | | | |
| | 16X905 | 7900 HD | 1 | | | | | |
| 89 | 248215 | TUBE, intake, includes 90 | 1 | | | | | |
| 90 | 118494 | PACKING, o-ring, 7900 | 1 | | | | | |
| 100 | 125926 | FITTING, 90 deg | 1 | | | | | |
| 106 | 113161 | SCREW, flange, hex hd | 3 | | | | | |
| 107 | 278083 | GUIDE, hose | 1 | | | | | |
| 108 | 117633 | SCREW, slot hex wash hd | 2 | | | | | |

▲ Replacement Danger and Warning Labels, Tags and Cards are available at no cost.

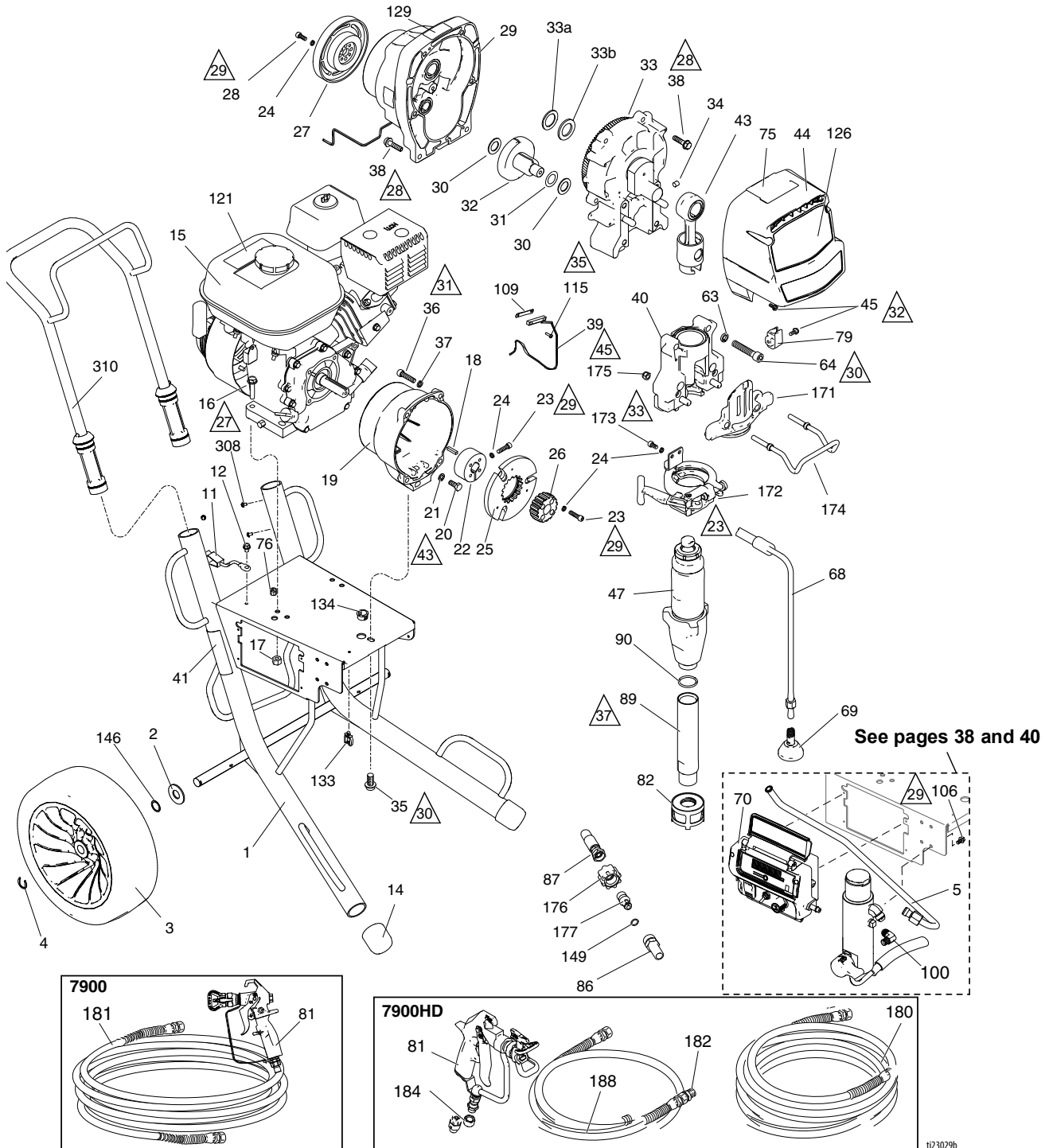
† Included in Clutch Replacement Kit 241113

★ Included in Bearing Housing Kit 24V089

Part Specifications:

| Ref. | Instruction |
|------|--|
| ▲12 | Inflate tires to 28-32 psi (1.93-2.21 bar/0.193-0.221 MPa) |
| ▲23 | Torque clamp adjustment bolt to 140-160 in-lb (15.8-18.1 N•m) with reference 47 installed and ProConnect in locked position. |
| ▲24 | Torque to 38-42 ft-lb (51.5-56.9 N•m) |
| ▲25 | Torque to 120-130 in-lb (13.4-14.7 N•m) |
| ▲26 | Torque to 40-45 in-lb (4.5-5.1 N•m) |
| ▲27 | Torque to 17-23 ft-lb (23.1-31.2 N•m) |
| ▲28 | Torque to 190-210 in-lb (21.5-23.7 N•m) |
| ▲29 | Torque to 115-135 in-lb (12.9-15.3 N•m) |
| ▲30 | Torque to 23-29 ft-lb (31.2-39.2 N•m) |
| ▲31 | Torque to 130-150 in-lb (14.7-16.9 N•m) |
| ▲32 | Torque to 30-45 in-lb (3.4-5.1 N•m) |
| ▲33 | Torque to 90-110 in-lb (10.2-12.4 N•m) |
| ▲35 | Torque to 8-12 in-lb (0.9-1.4 N•m) |
| ▲37 | Torque to 70-90 in-lb (7.9-10.2 N•m) |
| ▲43 | Torque to 170-190 in-lb (19.2-21.5 N•m) |
| ▲45 | Torque to 200-230 in-lb (22.6-25.9 N•m) |

GMAX II 7900 and 7900 HD IronMan Series / Roof Rig



Parts List - GMAX II 7900 and 7900 HD IronMan Series / Roof Rig

| Ref. | Part | Description | Qty. | Ref. | Part | Description | Qty. | |
|------|--------|--|------|------|--------|---|---|---|
| 1 | 287370 | FRAME | 1 | 109 | 15F947 | SHIELD, magnetic | 1 | |
| 2 | 156306 | WASHER, flat | 2 | 115 | 114528 | SCREW, mach, phillips, pnhd | 2 | |
| 3 | 17E687 | WHEEL, flat proof, black, 13 in | 2 | 121▲ | 194126 | LABEL, warning | 1 | |
| 4 | 120211 | CLIP, retaining | 2 | 126 | 17E930 | LABEL, identification, 7900 | 1 | |
| 11 | 237686 | WIRE, ground assembly w/ clamp | 1 | | 17E937 | LABEL, identification, 7900 HD | 1 | |
| 12 | 112798 | SCREW, thread forming, hex hd | 1 | 129 | 290228 | LABEL, caution | 1 | |
| 14 | 276974 | CAP, leg | 2 | 133 | 114687 | CLIP, retainer | 1 | |
| 15 | 116080 | ENGINE, gas, 6.5 HP, Honda | 1 | 134 | 119569 | BUSHING, strain relief | 1 | |
| 16 | 110837 | SCREW, flange, hex | 2 | 143 | 15F354 | FUNNEL, oil (not shown) | 1 | |
| 17 | 110838 | NUT, lock | 2 | 146 | 116038 | WASHER, wave spring | 2 | |
| 18 | 183401 | KEY, parallel | 1 | 149 | | O-RING | | |
| 19 | 15E277 | HOUSING, clutch, mach, 5900/7900 | 1 | | 107505 | 7900 | 1 | |
| 20 | 108842 | SCREW, cap, hex hd | 4 | | 102982 | 7900 HD | 1 | |
| 21 | 100214 | WASHER, lock | 4 | 171★ | 16X209 | PLATE, front, ProConnect II | 1 | |
| 22 | 193680 | COLLAR, shaft | 1 | 172★ | 16X324 | CLAMP, pump, large | 1 | |
| 23† | 108803 | SCREW, hex, socket head | 6 | 173★ | 101550 | SCREW, cap, sch | 2 | |
| 24† | 105510 | WASHER, lock, spring | 12 | 174★ | 16C457 | HANGER, pail | 1 | |
| 25† | | ARMATURE, clutch, 5 in. | 1 | 175★ | 112746 | NUT, lock, nylon, thin pattern | 2 | |
| 26† | | HUB, armature | 1 | 176 | 120583 | NUT, hand, 7900 only | 1 | |
| 27† | | ROTOR, clutch, 5 in. | 1 | 177 | 16X833 | FITTING, quick disconnect, 3/8 npsm, 7900 only | 1 | |
| 28† | 101682 | SCREW, cap, sch | 4 | | 180 | 240797 | HOSE, coupled, 3/8 in. x 50 ft, 7900 HD | 1 |
| 29 | 287466 | HOUSING, pinion, 7900 | 1 | | 181 | 240794 | HOSE, coupled, 1/4 in. x 50 ft, 7900 | 1 |
| 30 | 114672 | WASHER, thrust | 2 | | 182 | 159841 | BUSHING, 7250 psi, 3/8 in. x 1/4 in. | 1 |
| 31 | 114699 | WASHER, thrust | 1 | | 184 | 189018 | SWIVEL, assembly | 1 |
| 32 | 287459 | GEAR, combination, 7900 | 1 | | 187 | 164672 | ADAPTER | 1 |
| 33 | 287470 | HOUSING, drive, 7900, <i>includes 33a, 33b</i> | 1 | | 188 | 241735 | HOSE, cpld, 1/4 in. x 3 ft, 7900 HD | 1 |
| 33a | 116192 | WASHER, thrust | 1 | | 308 | 108795 | SCREW, mach, pnhd | 4 |
| 33b | 194173 | WASHER | 1 | | 310 | 24A250 | HANDLE, cart | 1 |
| 34 | 116618 | MAGNET | 1 | ▲ | 16Y631 | LABEL, warning | 1 | |
| 35 | 112395 | SCREW, cap, flng hd | 1 | ▲ | 16Y632 | LABEL, warning | 1 | |
| 36 | 102962 | SCREW, cap sch | 4 | ▲ | 16Y633 | LABEL, warning | 1 | |
| 37 | 104008 | WASHER, lock, spring | 4 | ▲ | | CARD, Medical Alert | | |
| 38 | 15C753 | SCREW, mach, hex wash hd | 6 | | 222385 | English, French, Spanish | | |
| 39 | 119562 | SWITCH, reed w/connector | 1 | | 17A134 | English, Chinese, Spanish | | |
| 40★ | | HOUSING, bearing, 7900 | 1 | | 17R476 | English, Spanish, Portuguese | | |
| 41▲ | 15F638 | LABEL, GMAX warning fire & skin | 1 | | | | | |
| 43 | 24V086 | ROD, connecting, 7900 | 1 | | | | | |
| 44 | 16Y749 | COVER, front, 7900, <i>includes 45</i> | 1 | | | | | |
| 45★ | 118444 | SCREW, mach, slot hex wash hd | 5 | | | | | |
| 47 | 17H827 | PUMP, displacement, 7900, <i>includes 86, 89, 90</i> | 1 | | | | | |
| | 17H837 | PUMP, displacement, 7900 HD, <i>includes 86</i> | | | | | | |
| 63★ | 112600 | WASHER, lock, spring | 4 | | | | | |
| 64★ | 17E790 | SCREW, cap, socket head, SST | 4 | | | | | |
| 68 | 244240 | HOSE, coupled, <i>includes 69</i> | 1 | | | | | |
| 69 | 241920 | DEFLECTOR, threaded | 1 | | | | | |
| 70 | 16X821 | BOX, control | 1 | | | | | |
| 75 | 17E935 | LABEL, series, Ironman | 1 | | | | | |
| 76 | 114678 | BUSHING, strain relief | 1 | | | | | |
| 79★ | 16X203 | CLIP, drain line | 1 | | | | | |
| 81 | 17Y043 | GUN, Contractor PC, RAC X, 7900 | 1 | | | | | |
| | 241705 | GUN, spray, texture, 7900 HD | 1 | | | | | |
| 82 | 15V573 | STRAINER, 1-11 1/2 NPSM, crushproof | 1 | | | | | |
| 86 | | FITTING, pump | | | | | | |
| | 16Y579 | 7900 | 1 | | | | | |
| | 16X835 | 7900 HD | 1 | | | | | |
| 87 | | HOSE, coupled | | | | | | |
| | 16X904 | 7900 | 1 | | | | | |
| | 16X905 | 7900 HD | 1 | | | | | |
| 89 | 248215 | TUBE, intake, <i>includes 90</i> | 1 | | | | | |
| 90 | 118494 | PACKING, o-ring, 7900 | 1 | | | | | |
| 100 | 125926 | FITTING, 90 deg | 1 | | | | | |
| 106 | 113161 | SCREW, flange, hex hd | 3 | | | | | |

▲ Replacement Danger and Warning Labels, Tags and Cards are available at no cost.

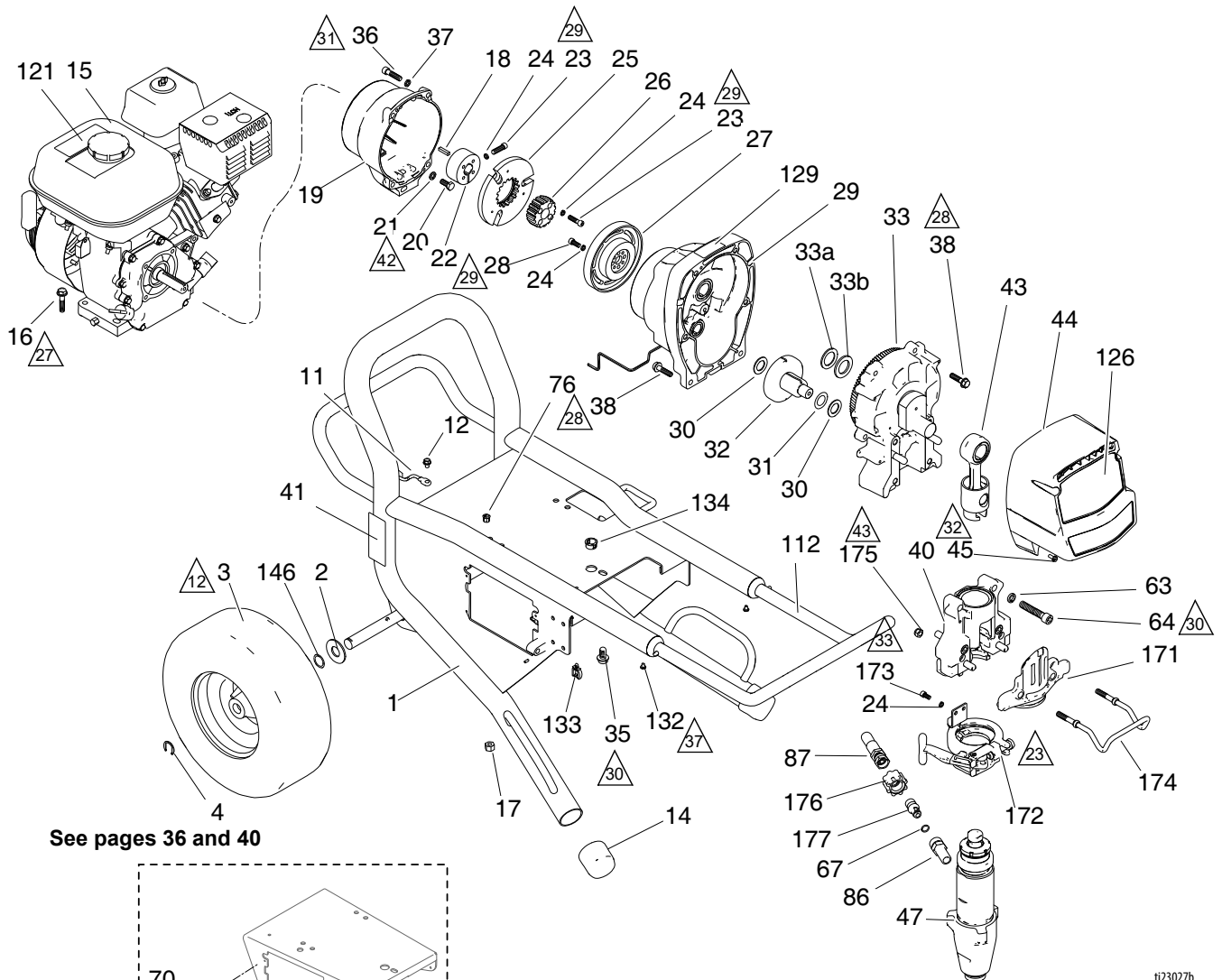
† Included in Clutch Replacement Kit 241113

★ Included in Bearing Housing Kit 24V089

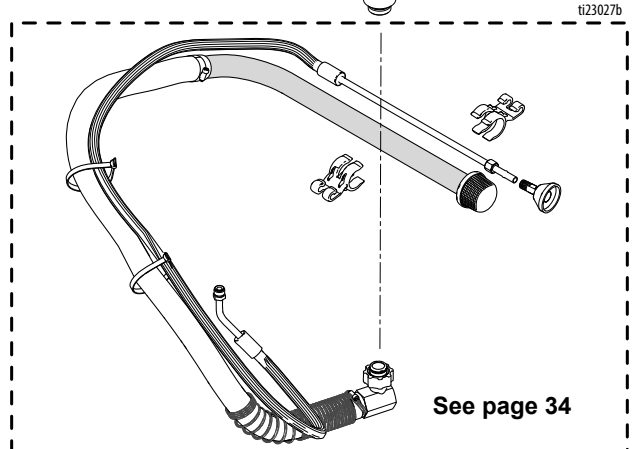
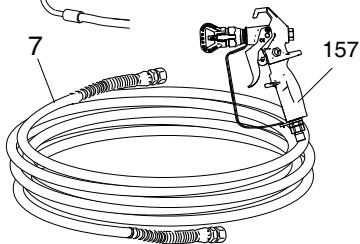
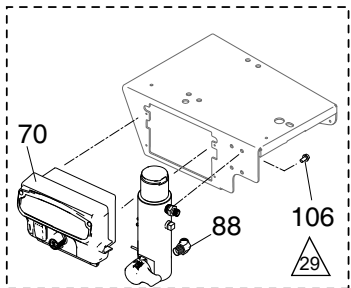
Part Specifications:

| Ref. | Instruction |
|-----------------|--|
| ▲ ₂₃ | Torque clamp adjustment bolt to 140-160 in-lb (15.8-18.1 N•m) with reference 47 installed and ProConnect in locked position. |
| ▲ ₂₇ | Torque to 17-23 ft-lb (23.1-31.2 N•m) |
| ▲ ₂₈ | Torque to 190-210 in-lb (21.5-23.7 N•m) |
| ▲ ₂₉ | Torque to 115-135 in-lb (12.9-15.3 N•m) |
| ▲ ₃₀ | Torque to 23-29 ft-lb (31.2-39.3 N•m) |
| ▲ ₃₁ | Torque to 130-150 in-lb (14.7-16.9 N•m) |
| ▲ ₃₂ | Torque to 30-45 in-lb (3.4-5.1 N•m) |
| ▲ ₃₃ | Torque to 90-110 in-lb (10.2-12.4 N•m) |
| ▲ ₃₅ | Torque to 8-12 in-lb (0.9-1.4 N•m) |
| ▲ ₃₇ | Torque to 70-90 in-lb (7.9-10.2 N•m) |
| ▲ ₄₃ | Torque to 170-190 in-lb (19.2-21.5 N•m) |
| ▲ ₄₅ | Torque to 200-230 in-lb (22.5-25.9 N•m) |

GMAX II 7900 Lo-Boy Series



See pages 36 and 40



See page 34

Parts List - GMAX II 7900 Lo-Boy Series

| Ref. | Part | Description | Qty. | Ref. | Part | Description | Qty. |
|------|--------|--|------|------|--------|-------------------------------------|------|
| 1 | 16Y519 | FRAME | 1 | 88 | 122533 | FITTING, 45 deg | 1 |
| 2 | 156306 | WASHER, flat | 2 | 106 | 113161 | SCREW, flange, hex hd | 3 |
| 3 | 119509 | WHEEL, pneumatic | 2 | 112 | 16Y780 | HANDLE, cart | 1 |
| 4 | 15E891 | CLIP, retaining | 2 | 121▲ | 194126 | LABEL, warning | 1 |
| 7 | 240794 | HOSE, coupled, 1/4 in. x 50 ft | 1 | 126 | 17E930 | LABEL, brand, GMAX 7900 | 1 |
| 11 | 237686 | WIRE, ground assembly w/ clamp | 1 | 129 | 290228 | LABEL, caution | 1 |
| 12 | 112798 | SCREW, thread forming, hex hd | 1 | 132 | 109032 | SCREW, mach, pnh | 4 |
| 14 | 276974 | CAP, leg | 2 | 133 | 114687 | CLIP, retainer | 1 |
| 15 | 116080 | ENGINE, gas, 6.5 HP, Honda | 1 | 134 | 119569 | BUSHING, strain relief | 1 |
| 16 | 110837 | SCREW, flange, hex | 2 | 146 | 116038 | WASHER, wave spring | 2 |
| 17 | 110838 | NUT, lock | 2 | 157 | 17Y043 | GUN, Contractor PC, RAC X | 1 |
| 18 | 183401 | KEY, parallel | 1 | 171★ | 16X209 | PLATE, front, ProConnect II, 7900 | 1 |
| 19 | 15E277 | HOUSING, clutch, 5900/7900 | 1 | 172★ | 16X324 | CLAMP, pump, large | 1 |
| 20 | 108842 | SCREW, cap, hex hd | 4 | 173★ | 101550 | SCREW, cap, sch | 2 |
| 21 | 100214 | WASHER, lock | 4 | 174★ | 16C457 | HANGER, pail | 1 |
| 22 | 193680 | COLLAR, shaft | 1 | 175★ | 112746 | NUT, lock, nylon, thin pattern | 2 |
| 23† | 108803 | SCREW, hex, socket head | 6 | 176 | 120583 | NUT, hand | 1 |
| 24† | 105510 | WASHER, lock, spring | 12 | 177 | 16X833 | FITTING, quick disconnect, 3/8 npsm | 1 |
| 25† | | ARMATURE, clutch, 5 in. | 1 | | 17H899 | KIT, gauge, 1/4" (not shown) | 1 |
| 26† | | HUB, armature | 1 | ▲ | 16Y631 | LABEL, warning | 1 |
| 27† | | ROTOR, clutch, 5 in. | 1 | ▲ | 16Y632 | LABEL, warning | 1 |
| 28† | 101682 | SCREW, cap, sch | 4 | ▲ | 16Y633 | LABEL, warning | 1 |
| 29 | 287466 | HOUSING, pinion, 7900 | 1 | | | | |
| 30 | 114672 | WASHER, thrust | 2 | | | | |
| 31 | 114699 | WASHER, thrust | 1 | | | | |
| 32 | 287459 | GEAR, combination, 7900 | 1 | | | | |
| 33 | 287470 | HOUSING, drive, 7900, <i>includes 33a, 33b</i> | 1 | | | | |
| 33a | 116192 | WASHER, thrust | 1 | | | | |
| 33b | 194173 | WASHER | 1 | | | | |
| 35 | 112395 | SCREW, cap, flng hd | 1 | | | | |
| 36 | 102962 | SCREW, cap sch | 4 | | | | |
| 37 | 104008 | WASHER, lock, spring | 4 | | | | |
| 38 | 15C753 | SCREW, mach, hex wash hd | 6 | | | | |
| 40★ | | HOUSING, bearing | 1 | | | | |
| 41▲ | 15F638 | LABEL, GMAX warning fire & skin | 1 | | | | |
| 43 | 24V086 | ROD, connecting, 7900 | 1 | | | | |
| 44 | 16Y749 | COVER, front, 7900, <i>includes 45</i> | 1 | | | | |
| 45★ | 118444 | SCREW, mach, slot hex wash hd | 4 | | | | |
| 47 | 17H825 | PUMP, displacement, 7900, <i>includes 86, 89, 90</i> | 1 | | | | |
| 63★ | 112600 | WASHER, lock, spring | 4 | | | | |
| 64★ | 17E790 | SCREW, cap, socket head, SST | 4 | | | | |
| 67 | 107505 | O-RING | 1 | | | | |
| 70 | 16X822 | BOX, control | 1 | | | | |
| 76 | 114678 | BUSHING, strain relief | 1 | | | | |
| 86 | 16Y579 | FITTING, pump | 1 | | | | |
| 87 | 16X950 | HOSE, coupled | 1 | | | | |

▲ Replacement Danger and Warning Labels, Tags and Cards are available at no cost.

† Included in Clutch Replacement Kit 241113

★ Included in Bearing Housing Kit 24V089

Suction Kit 16Y760 Kit is available

Part Specifications:

| Ref. | Instruction |
|------|--|
| ▲2 | Inflate tires to 28-32 psi (1.93-2.21 bar/0.193-0.221 MPa) |
| ▲3 | Torque clamp adjustment bolt to 140-160 in-lb (15.8-18.1 N•m) with reference 47 installed and ProConnect in locked position. |
| ▲7 | Torque to 17-23 ft-lb (23.1-31.2 N•m) |
| ▲8 | Torque to 190-210 in-lb (21.5-23.7 N•m) |
| ▲9 | Torque to 115-135 in-lb (12.9-15.3 N•m) |
| ▲0 | Torque to 23-29 ft-lb (31.2-39.3 N•m) |
| ▲1 | Torque to 130-150 in-lb (14.7-16.9 N•m) |
| ▲2 | Torque to 30-45 in-lb (3.4-5.1 N•m) |
| ▲3 | Torque to 90-110 in-lb (10.2-12.4 N•m) |
| ▲7 | Torque to 25-35 in-lb (2.8-3.9 N•m) |
| ▲2 | Torque to 170-190 in-lb (19.2-25.9 N•m) |
| ▲3 | Torque to 200-230 in-lb (22.5-25.9 N•m) |

LoBoy Suction Set Kits

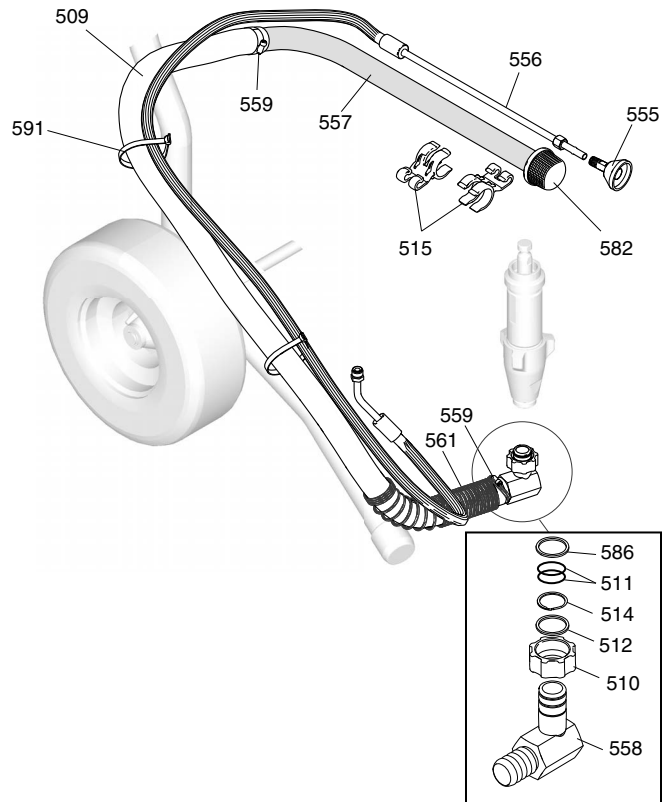
(Kits include suction set and drain hose)

GMAX II 3900/5900/7900

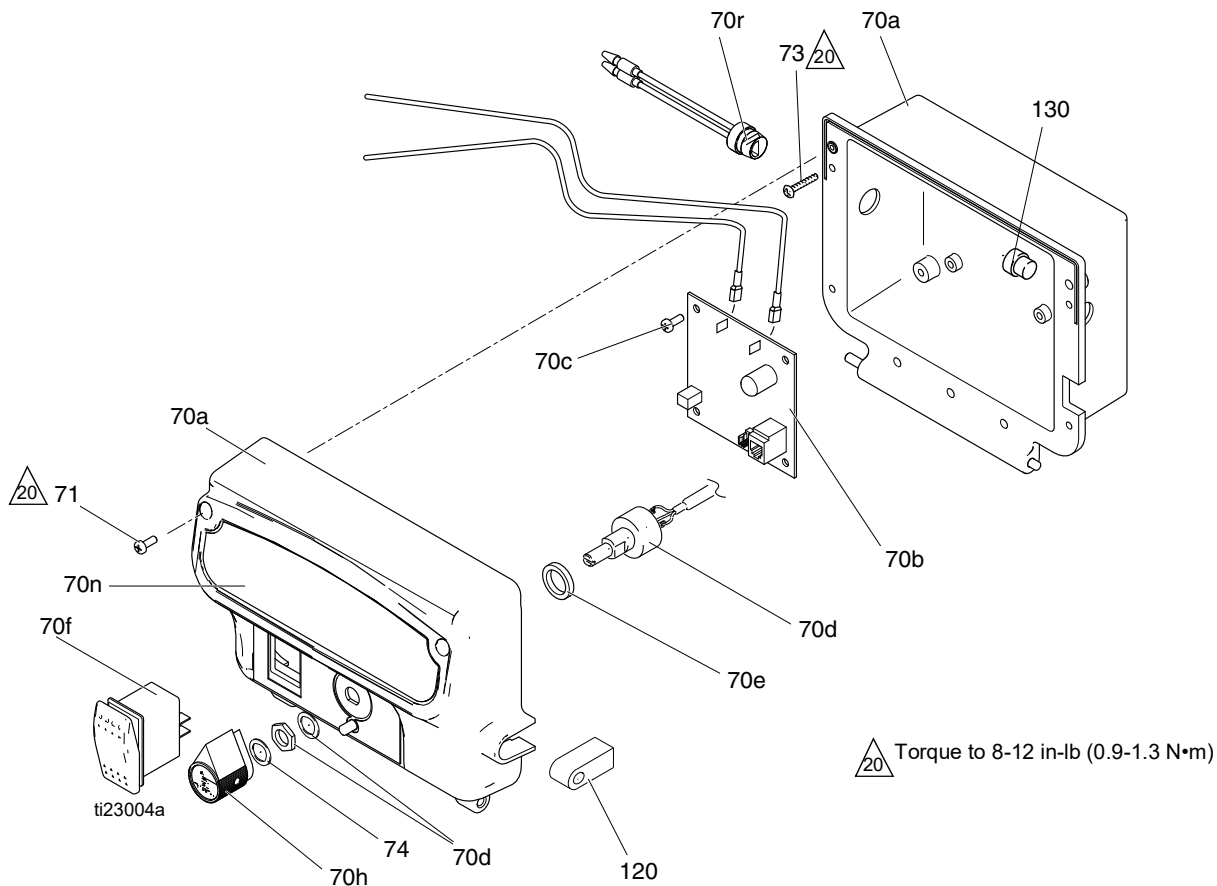
5 Gallon Kit: 16Y759 (included with 3900 and 5900)

30 - 55 Gallon Kit: 16Y760 (included with 7900)

| Ref. | Part | Description | Qty. |
|------|--------|---|------|
| 509 | 24W028 | HOSE, suction 5 gallon, <i>includes 510, 511, 512, 514, 557, 558, 559, 561</i> | 1 |
| | 24U917 | HOSE, suction 30 - 55 gallon, <i>includes 510, 511, 512, 514, 557, 558, 559, 561</i> | 1 |
| 510 | 15C980 | NUT, jam | 1 |
| 511 | 15H854 | O-RING | 2 |
| 512 | 15C981 | WASHER, suction, swivel | 1 |
| 514 | 118505 | RING, retaining, external | 1 |
| 515 | 15D000 | CLIP, drain line | 2 |
| 555 | 241920 | DEFLECTOR | 1 |
| 556 | 288732 | 5 gallon | 1 |
| | 246331 | 30 - 55 gallon | 1 |
| 557 | | TUBE, suction | |
| | 15D157 | 5 gallon | 1 |
| | 15F171 | 30 - 50 gallon | 1 |
| 558 | 24A561 | FITTING, elbow, barbed, <i>includes 510, 512, 514</i> | 1 |
| 559 | 120330 | CLAMP, hose | 2 |
| 561 | 176450 | GUARD, hose | 1 |
| 582 | 189920 | STRAINER, 1-11 1/2 npsm | 1 |
| 586 | | Washer | 1 |
| | 115099 | 3900/5900 | |
| | 119566 | 7900 | |
| 591 | | TIE STRAP | 2 |



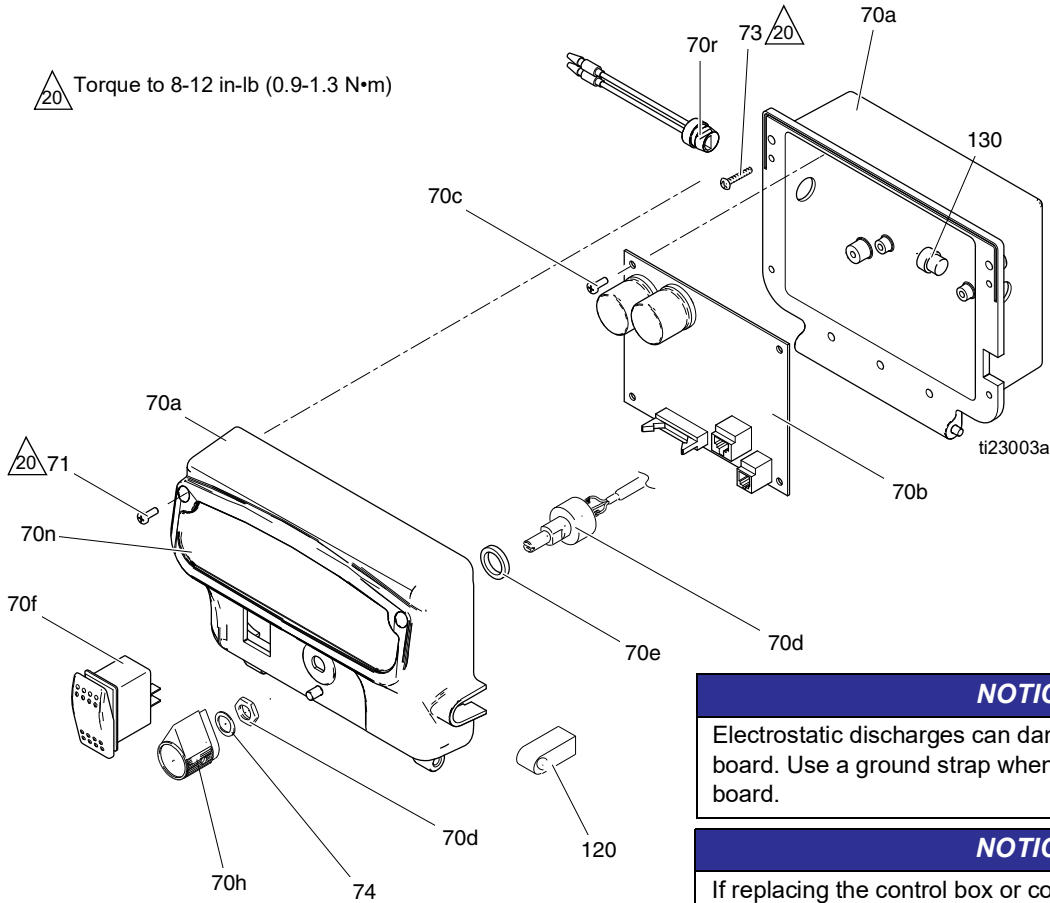
Control Box 25P549 - GMAX 3400



Parts List - Control Box 25P549

| Ref. | Part | Description | Qty. | Ref. | Part | Description | Qty. |
|------|--------|----------------------------|------|------|--------|---|------|
| 70 | 25P549 | CONTROL BOX, GMAX 3400 | | 70r | 119545 | BUSHING, strain, relief | 1 |
| 70a | 24U346 | BOX | 1 | 71 | 116585 | SCREW, pan, X recess, sst | 2 |
| 70b | 25P550 | KIT, repair, control board | 1 | 73 | 116585 | SCREW, pan, X recess, sst (5900 Convertible) | 4 |
| 70c | 117317 | SCREW, plastite, pan head | 4 | | 113160 | SCREW, mach, slot, hex wash hd | 4 |
| 70d | 256219 | POTENTIOMETER | 1 | 74 | 15C973 | GASKET | 1 |
| 70e | 198650 | SPACER, shaft | 1 | 120 | 16Y415 | GASKET, transducer | 1 |
| 70f | 116752 | SWITCH, rocker | 1 | 130 | 119545 | BUSHING, strain, relief | 1 |
| 70h | 116167 | KNOB, potentiometer | 1 | | | | |
| 70n | 16Y782 | LABEL, brand | 1 | | | | |

Control Box 16X822 - Standard & Lo-Boy Series

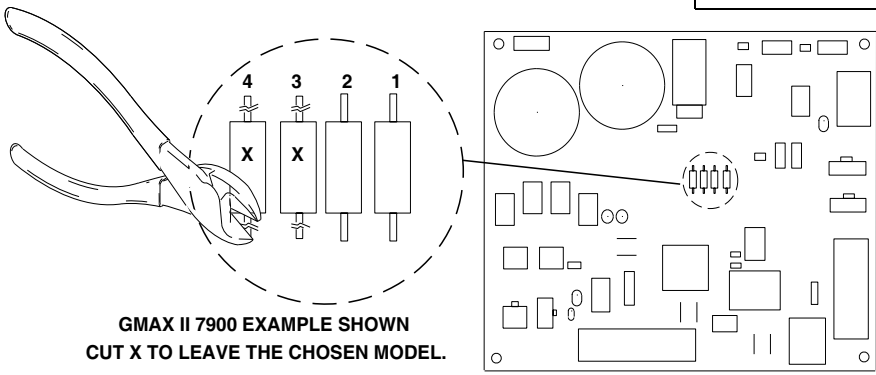


NOTICE

Electrostatic discharges can damage components on PC board. Use a ground strap when handling or installing PC board.

NOTICE

If replacing the control box or control board, cut out and remove the resistor(s) on control board according to figure and table. Using configurations other than those listed results in poor sprayer performance.





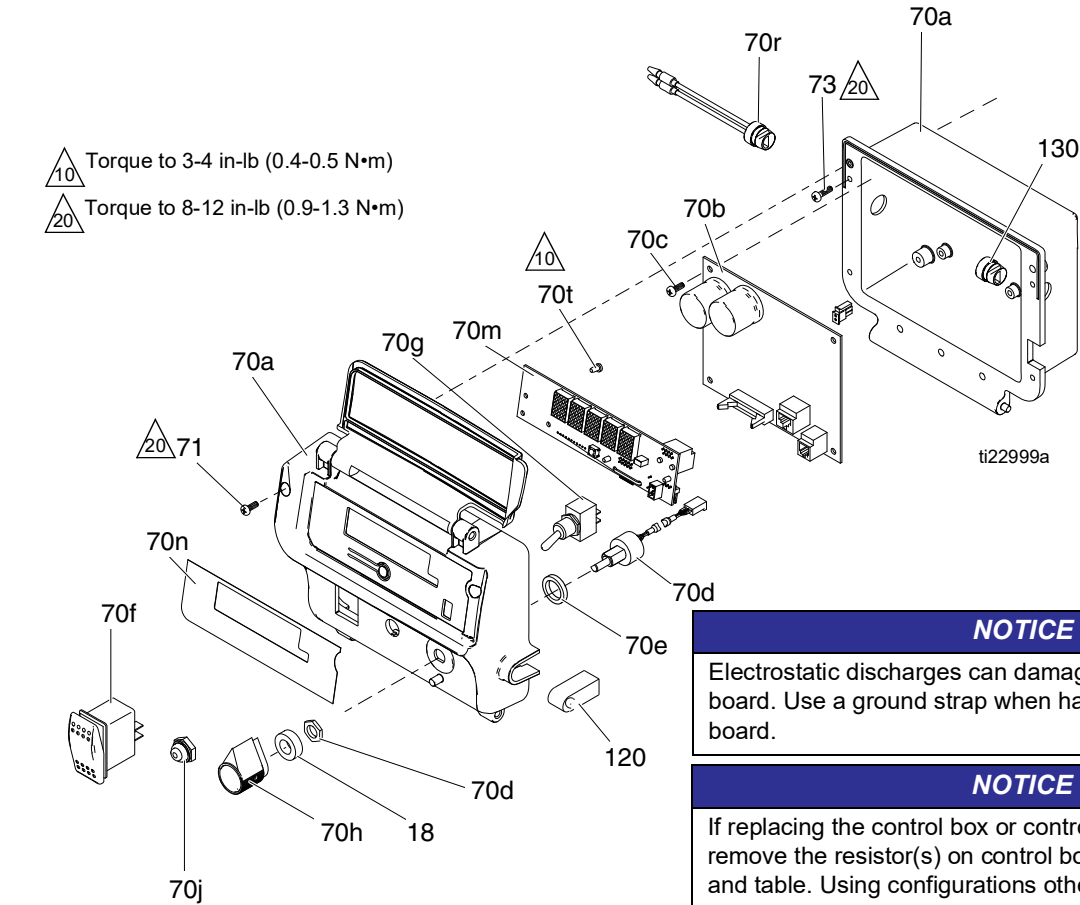
| | 3900 | | 5900 | | | 7900 | |
|---|--------------|----------------------------|----------------------|------------------------------------|--------------------------|----------------------|------------------------------------|
| | GMAX II 3900 | International GMAX II 3900 | GMAX II 5900/5900 HD | GMAX II 5900/5900 HD International | GMAX II 5900 Convertible | GMAX II 7900/7900 HD | GMAX II 7900/7900 HD International |
| 1 | X | X | | | | | X |
| 2 | | | X | X | | | |
| 3 | | X | X | | | X | X |
| 4 | | | | X | X | X | X |

Parts List - Control Box 16X822

| Ref. | Part | Description | Qty. | Ref. | Part | Description | Qty. |
|------|--------|---------------------------|------|------|--------|---|------|
| 70 | 16X822 | CONTROL BOX | | 70r | 119545 | BUSHING, strain, relief | 1 |
| 70a | 24U346 | BOX | 1 | 71 | 116585 | SCREW, pan, X recess, sst | 2 |
| 70b | 17A095 | CONTROL, board | 1 | 73 | 116585 | SCREW, pan, X recess, sst (5900 Convertible) | 4 |
| 70c | 117317 | SCREW, plastite, pan head | 4 | | 113160 | SCREW, mach, slot, hex wash hd | 4 |
| 70d | 256219 | POTENTIOMETER | 1 | | | | |
| 70e | 198650 | SPACER, shaft | 1 | 74 | 15C973 | GASKET | 1 |
| 70f | 116752 | SWITCH, rocker | 1 | 120 | 16Y415 | GASKET, transducer | 1 |
| 70h | 116167 | KNOB, potentiometer | 1 | 130 | 119545 | BUSHING, strain, relief | 1 |
| 70n | 16Y782 | LABEL, brand | 1 | | | | |

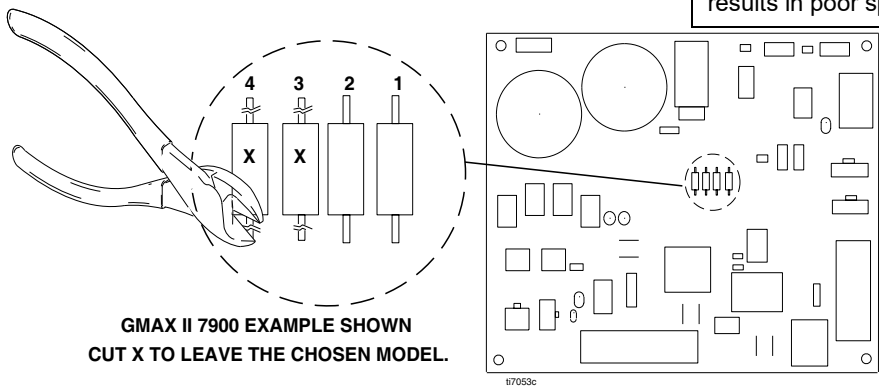
Control Box 16X821 - ProContractor & Ironman Series

-  Torque to 3-4 in-lb (0.4-0.5 N·m)
-  Torque to 8-12 in-lb (0.9-1.3 N·m)



NOTICE
Electrostatic discharges can damage components on PC board. Use a ground strap when handling or installing PC board.

NOTICE
If replacing the control box or control board, cut out and remove the resistor(s) on control board according to figure and table. Using configurations other than those listed results in poor sprayer performance.

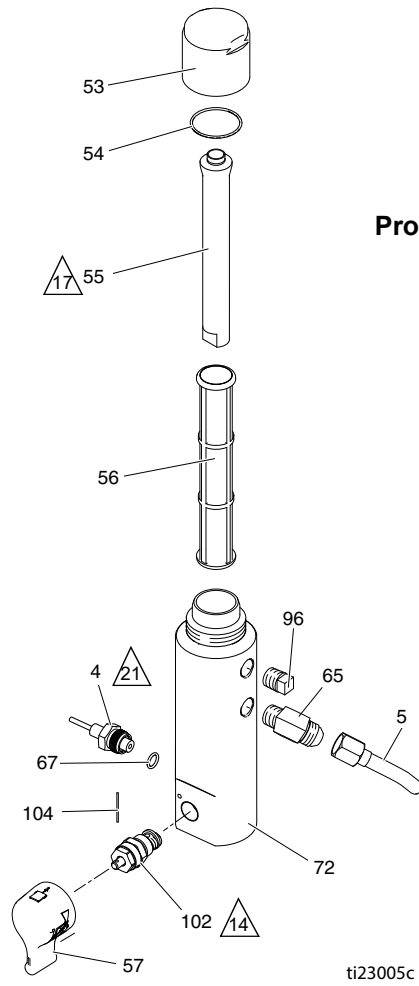
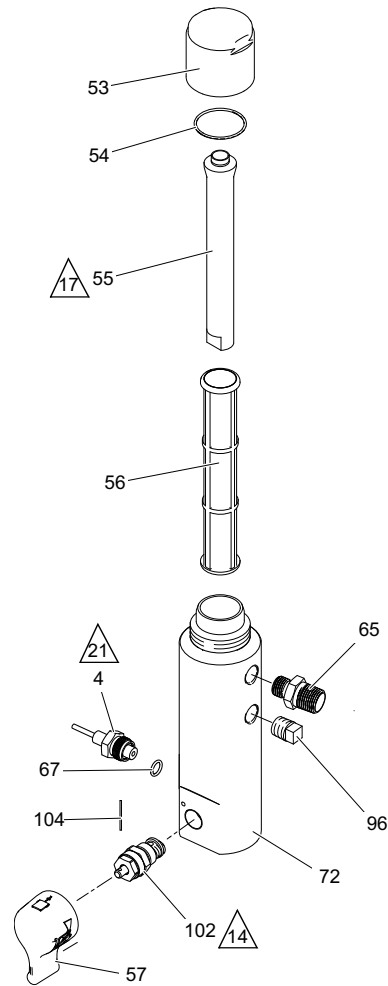


| | 3900 | | 5900 | | | 7900 | |
|---|--------------|----------------------------|----------------------|------------------------------------|--------------------------|----------------------|------------------------------------|
| | GMAX II 3900 | International GMAX II 3900 | GMAX II 5900/5900 HD | GMAX II 5900/5900 HD International | GMAX II 5900 Convertible | GMAX II 7900/7900 HD | GMAX II 7900/7900 HD International |
| 1 | X | X | | | | | X |
| 2 | | | X | X | | | |
| 3 | | X | X | | | X | X |
| 4 | | | | X | X | X | X |

Parts List - Control Box 16X821

| Ref. | Part | Description | Qty. | Ref. | Part | Description | Qty. |
|------|--------|---------------------------|------|------|--------|-----------------------------------|------|
| 18 | 15C973 | GASKET | 1 | 70j | 195428 | BOOT, toggle | 1 |
| 70 | 16X821 | CONTROL BOX | | 70m | 16Y496 | KIT, display, <i>includes 70t</i> | 1 |
| 70a | 24U347 | BOX | 1 | 70n | 16X801 | LABEL, brand | 1 |
| 70b | 17A095 | CONTROL, board | 1 | 70r | 119545 | BUSHING, strain, relief | 1 |
| 70c | 117317 | SCREW, plastite, pan head | 4 | 70t | 115522 | SCREW, mach, pnh | 3 |
| 70d | 256219 | POTENTIOMETER | 1 | 71 | 116585 | SCREW, pan, X recess, sst | 2 |
| 70f | 116752 | SWITCH, rocker | 1 | 73 | 113160 | SCREW, mach, slot, hex wash hd | 4 |
| 70e | 198650 | SPACER, shaft | 1 | 120 | 16Y415 | GASKET, transducer | 1 |
| 70g | 119541 | SWITCH, toggle | 1 | 130 | 119545 | BUSHING, strain, relief | 1 |
| 70h | 116167 | KNOB, potentiometer | 1 | | | | |

Filter



ProContractor Only

ti23005c

Parts List - Filter

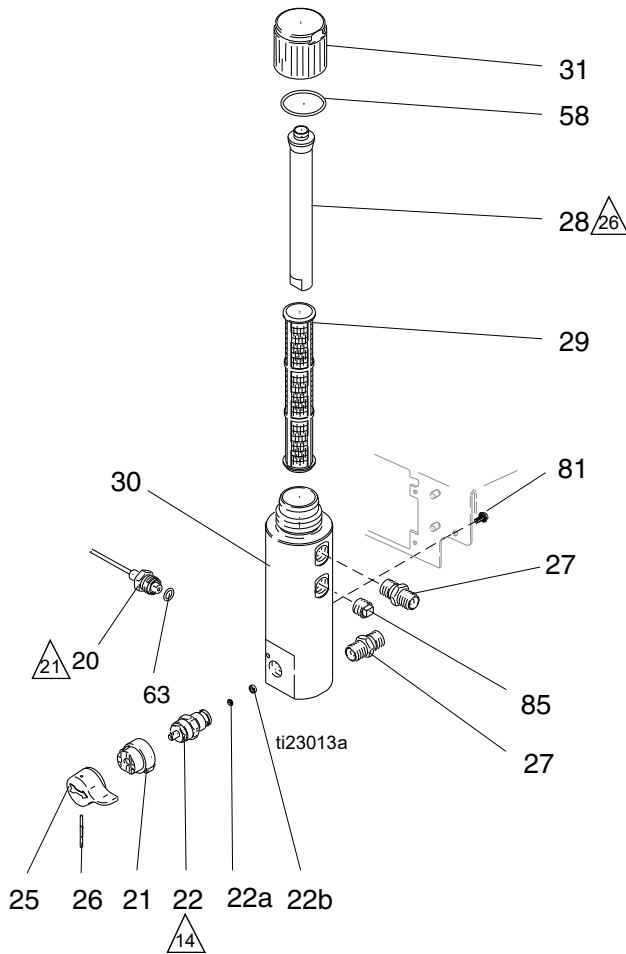
| Ref. | Part | Description | Qty. |
|------|--------|---|------|
| 4 | 243222 | TRANSDUCER, pressure control <i>includes 63</i> | 1 |
| 5 | 16C381 | TUBE, GMAX 5900/7900 (ProContractor) | 1 |
| | 16C384 | TUBE, GMAX 3900 (ProContractor) | 1 |
| 53 | 287285 | CAP, filter, <i>includes 54, 55</i> | 1 |
| 54 | 117285 | PACKING, o-ring | 1 |
| 55 | 15C766 | TUBE, diffusion | 1 |
| 56 | 244067 | FILTER, fluid | 1 |
| 57 | 24E234 | KIT, handle 2 position | 1 |
| 65 | 122533 | FITTING, 45 deg elbow (ProConnect) | 1 |
| | 196177 | FITTING, adapter (GMAX Standard/ Convertible/Lo-Boy/Ironman) | 1 |
| | 196178 | FITTING, adapter (HD Standard/Ironman) | 1 |

| Ref. | Part | Description | Qty. |
|------|--------|---|------|
| 67 | 111457 | PACKING, o-ring | 1 |
| 72 | 15E284 | HOUSING, filter | 1 |
| 96 | 15G331 | PLUG, pipe, 3/8-18 | 1 |
| 102 | 257352 | VALVE, prime, heavy duty, <i>includes 57, 104</i> | 1 |
| 104 | 15C972 | PIN, spring | 1 |

Part Specifications:

| Ref. | Instruction |
|------|---|
| △14 | Torque to 130-150 in-lb (14.6-16.9 N•m) |
| △17 | Torque to 90-110 in-lb (10.1-12.4 N•m) |
| △21 | Torque to 35-45 ft-lb (47.4-61.0 N•m) |

Filter (3400 Models only)



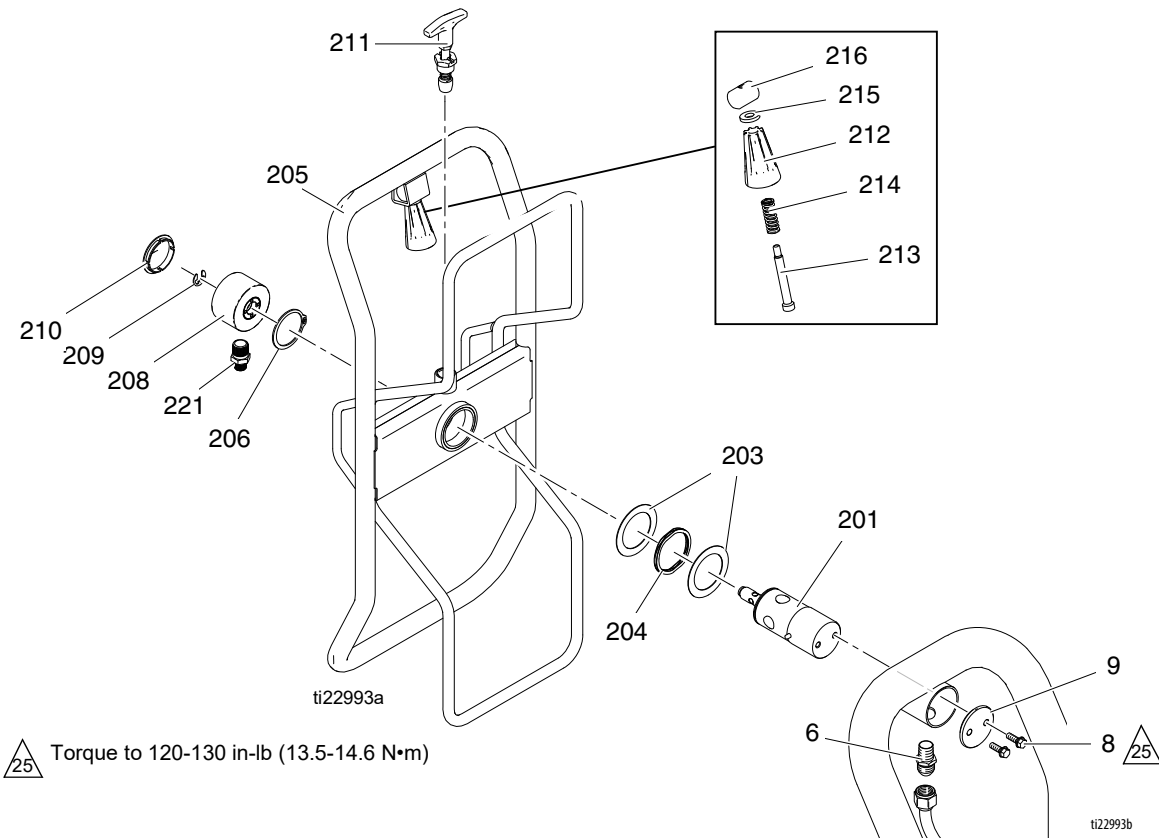
Parts List - Filter

| Ref. | Part | Description | Qty. | Ref. | Part | Description | Qty. |
|------|--------|---|------|------|--------|------------------------------|------|
| 20 | 243222 | TRANSDUCER, pressure control, includes 63 | 1 | 31 | 287285 | CAP, filter, includes 28, 58 | 1 |
| 21 | 224807 | BASE, valve | 1 | 58 | 117285 | O-RING | 1 |
| 22 | 235014 | VALVE, drain, includes 22a, 22b | 1 | 63 | 111457 | O-RING | 1 |
| 25 | 15C780 | HANDLE, | 1 | 81 | 113161 | SCREW, flange, hex hd | 3 |
| 26 | 15C972 | PIN, grooved | 1 | 85 | 15G331 | PLUG, pipe | 1 |
| 27 | 196177 | NIPPLE, adapter | 2 | | | | |
| 28 | 15C766 | TUBE, diffusion | 1 | | | | |
| 29 | 244067 | FILTER, fluid | 1 | | | | |
| 30 | 15E284 | HOUSING, filter | 1 | | | | |

Part Specifications:

| Ref. | Instruction |
|------|---|
| 14 | Torque to 130-150 in-lb (14.6-16.9 N•m) |
| 21 | Torque to 35-45 ft-lb (47.4-61.0 N•m) |
| 26 | Torque to 90-110 in-lb (10.1-12.4 N•m) |

QuikReel™ (ProContractor Sprayers)

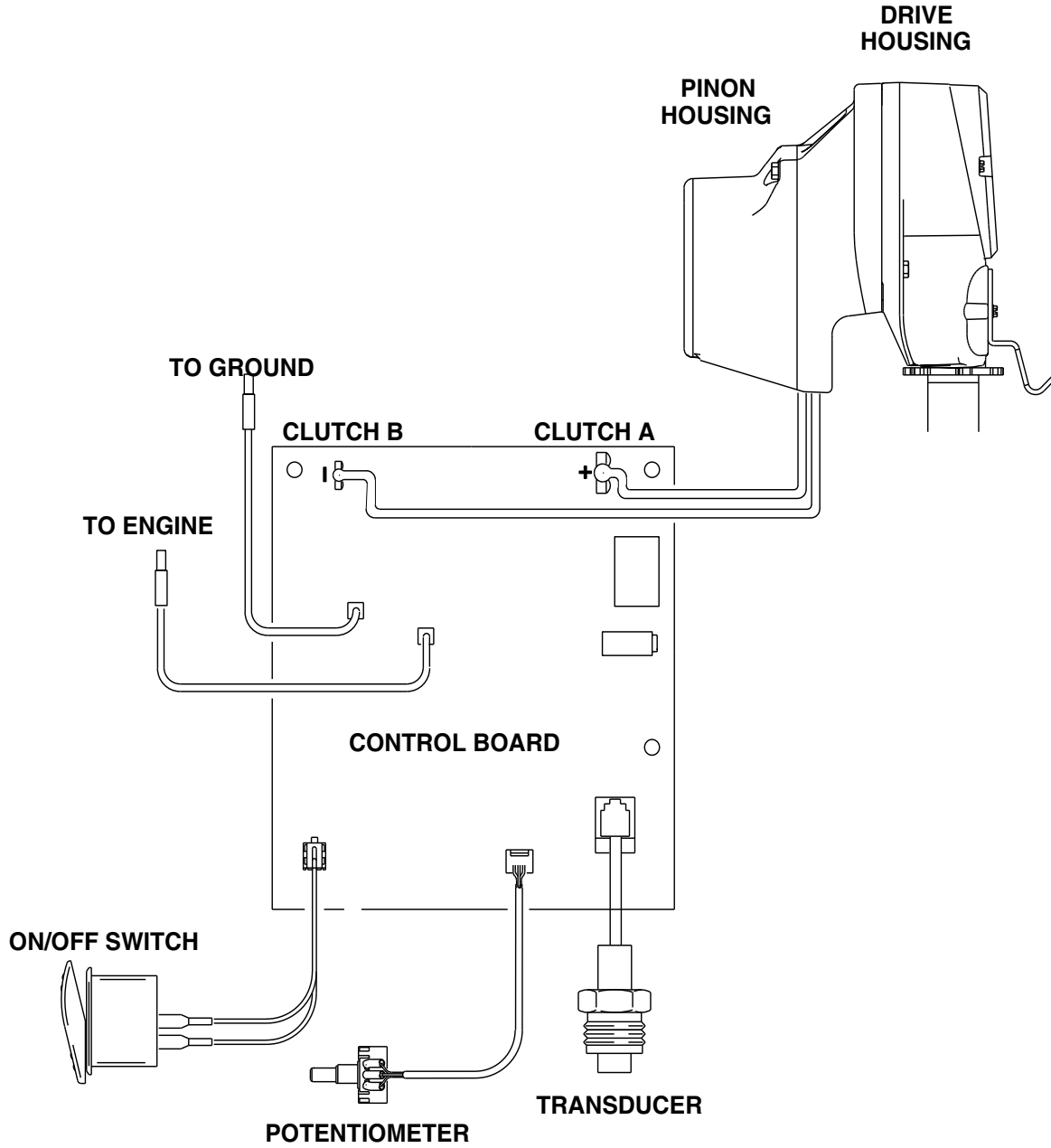


Parts List - Hose Reel (ProContractor Sprayers)

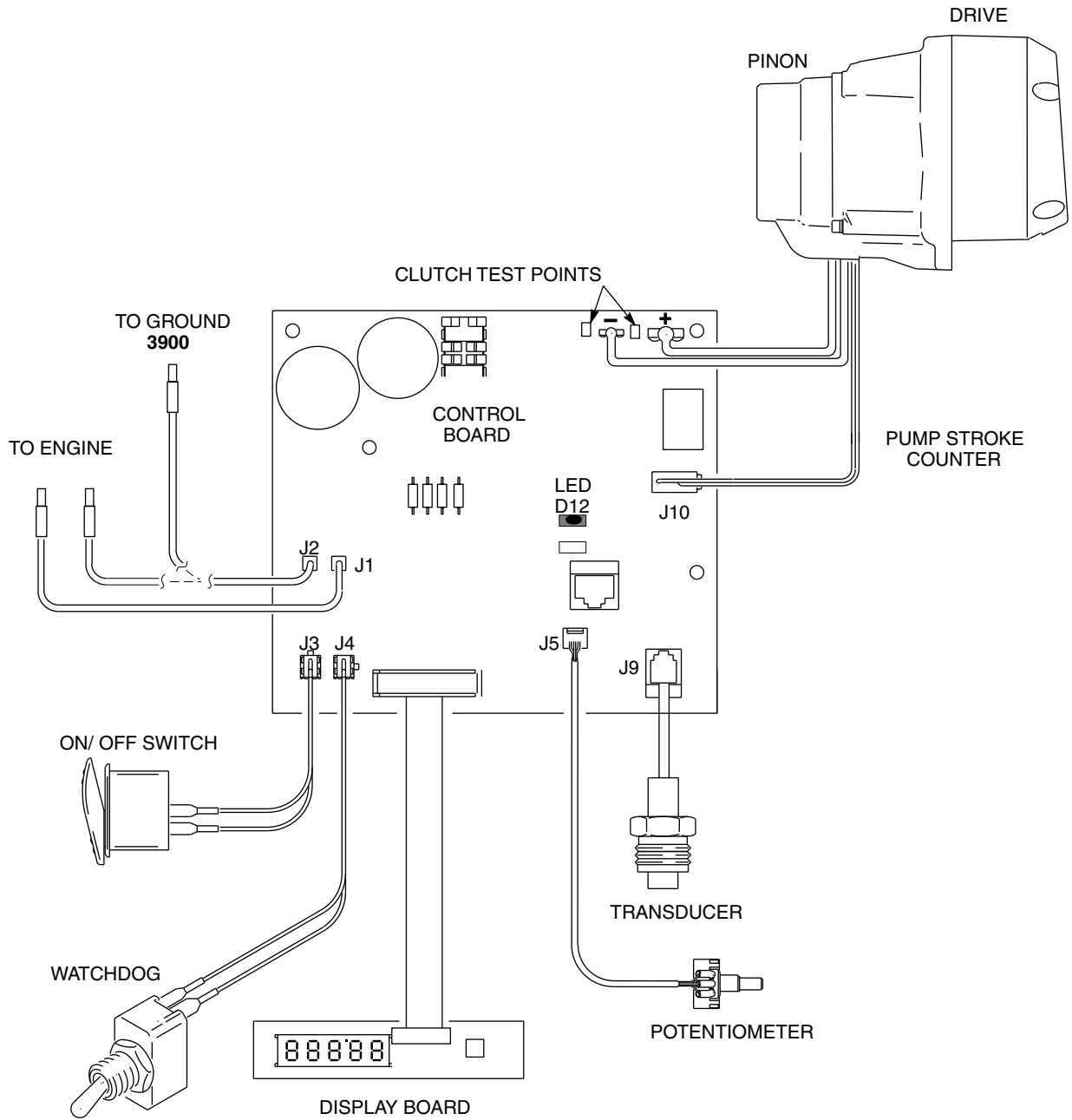
| Ref. | Part | Description | Qty. | Ref. | Part | Description | Qty. |
|------|--------|-------------------------------|------|------|--------|----------------------|------|
| 6 | 121311 | FITTING, connector, NPT x JIC | 1 | 210 | 122787 | CAP | 1 |
| 8 | 260212 | SCREW, hex washer hd | 2 | 211 | 24E400 | PIN, pop, lock out | 1 |
| 9 | 16C975 | PLATE, pivot mount | 1 | 212 | 278085 | HANDLE, swivel | 1 |
| 201 | 24E016 | TUBE, hose reel, pivot | 1 | 213 | 122518 | SCREW, shoulder, sch | 1 |
| 203 | 122607 | WASHER, flat | 2 | 214 | 122542 | SPRING, die | 1 |
| 204 | 122534 | SPRING, wave | 1 | 215 | 122669 | WASHER, flat | 1 |
| 205 | 24B691 | REEL, hose | 1 | 216 | 15X618 | NUT, swivel, handle | 1 |
| 206 | 122524 | RING, retaining, external | 1 | 221 | 164672 | ADAPTER, GMAX | 1 |
| 208 | 24B248 | CAP, swivel, complete | 1 | | 162485 | ADAPTER, HD | 1 |
| 209 | 122347 | RING, retaining, external | 1 | | | | |

Pressure Control Wiring Diagrams

GMAX 3400 Sprayers



3900/5900/7900 Sprayers



Graco Standard Warranty

Graco warrants all equipment referenced in this document which is manufactured by Graco and bearing its name to be free from defects in material and workmanship on the date of sale to the original purchaser for use. With the exception of any special, extended, or limited warranty published by Graco, Graco will, for a period of twelve months from the date of sale, repair or replace any part of the equipment determined by Graco to be defective. This warranty applies only when the equipment is installed, operated and maintained in accordance with Graco's written recommendations.

This warranty does not cover, and Graco shall not be liable for general wear and tear, or any malfunction, damage or wear caused by faulty installation, misapplication, abrasion, corrosion, inadequate or improper maintenance, negligence, accident, tampering, or substitution of non-Graco component parts. Nor shall Graco be liable for malfunction, damage or wear caused by the incompatibility of Graco equipment with structures, accessories, equipment or materials not supplied by Graco, or the improper design, manufacture, installation, operation or maintenance of structures, accessories, equipment or materials not supplied by Graco.

This warranty is conditioned upon the prepaid return of the equipment claimed to be defective to an authorized Graco distributor for verification of the claimed defect. If the claimed defect is verified, Graco will repair or replace free of charge any defective parts. The equipment will be returned to the original purchaser transportation prepaid. If inspection of the equipment does not disclose any defect in material or workmanship, repairs will be made at a reasonable charge, which charges may include the costs of parts, labor, and transportation.

THIS WARRANTY IS EXCLUSIVE, AND IS IN LIEU OF ANY OTHER WARRANTIES, EXPRESS OR IMPLIED, INCLUDING BUT NOT LIMITED TO WARRANTY OF MERCHANTABILITY OR WARRANTY OF FITNESS FOR A PARTICULAR PURPOSE.

Graco's sole obligation and buyer's sole remedy for any breach of warranty shall be as set forth above. The buyer agrees that no other remedy (including, but not limited to, incidental or consequential damages for lost profits, lost sales, injury to person or property, or any other incidental or consequential loss) shall be available. Any action for breach of warranty must be brought within two (2) years of the date of sale.

GRACO MAKES NO WARRANTY, AND DISCLAIMS ALL IMPLIED WARRANTIES OF MERCHANTABILITY AND FITNESS FOR A PARTICULAR PURPOSE, IN CONNECTION WITH ACCESSORIES, EQUIPMENT, MATERIALS OR COMPONENTS SOLD BUT NOT MANUFACTURED BY GRACO. These items sold, but not manufactured by Graco (such as electric motors, switches, hose, etc.), are subject to the warranty, if any, of their manufacturer. Graco will provide purchaser with reasonable assistance in making any claim for breach of these warranties.

In no event will Graco be liable for indirect, incidental, special or consequential damages resulting from Graco supplying equipment hereunder, or the furnishing, performance, or use of any products or other goods sold hereto, whether due to a breach of contract, breach of warranty, the negligence of Graco, or otherwise.

FOR GRACO CANADA CUSTOMERS

The Parties acknowledge that they have required that the present document, as well as all documents, notices and legal proceedings entered into, given or instituted pursuant hereto or relating directly or indirectly hereto, be drawn up in English. Les parties reconnaissent avoir convenu que la rédaction du présente document sera en Anglais, ainsi que tous documents, avis et procédures judiciaires exécutés, donnés ou intentés, à la suite de ou en rapport, directement ou indirectement, avec les procédures concernées.

Graco Information

For the latest information about Graco products, visit www.graco.com.

For patent information, see www.graco.com/patents.

TO PLACE AN ORDER, contact your Graco distributor or call 1-800-690-2894 to identify the nearest distributor.

*All written and visual data contained in this document reflects the latest product information available at the time of publication.
Graco reserves the right to make changes at any time without notice.*

Original instructions. This manual contains English. MM 3A6417

Graco Headquarters: Minneapolis

International Offices: Belgium, China, Japan, Korea

GRACO INC. AND SUBSIDIARIES • P.O. BOX 1441 • MINNEAPOLIS MN 55440-1441 • USA
Copyright 2018, Graco Inc. All Graco manufacturing locations are registered to ISO 9001.

www.graco.com
Revision H, May 2023