



# Manual Pack

## GX21, GX19, and GX FF Cordless Electric Airless Sprayers, NA

*For portable airless spraying of architectural paints and coatings. Not approved for use in explosive atmospheres or hazardous (classified) locations. For professional use only.*

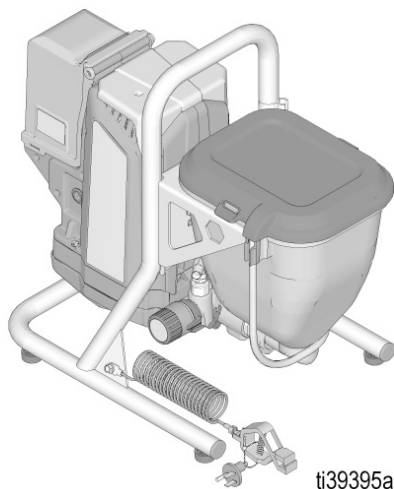
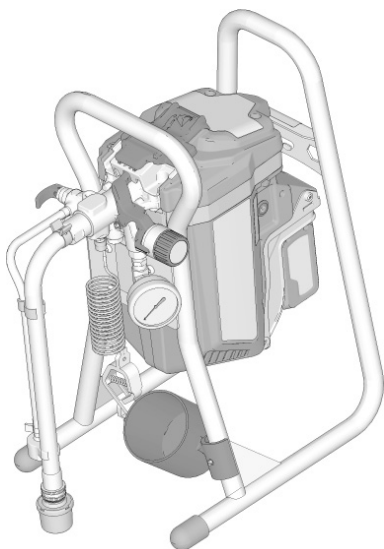
PN: 25U742

Rev: E



### Important Safety Instructions

Read all warnings and instructions in this manual and related manuals. Be familiar with the controls and the proper usage of the equipment. Save these instructions.



3A9029D  
November, 2023

*Use only genuine Graco replacement parts.  
The use of non-Graco replacement parts may void warranty.*