

Wall Mounting Kits and Mounting Hardware Kits

406856B

Merkur™ Bellows Pumps

ENG



Important Safety Instructions

Read all warnings and instructions in manuals 312793 and 312795. Save all instructions.

See reverse for Mounting Hardware Kits.

Wall Mounting Kits

Includes mounting plate and hardware

Kit 24E880, 3.5 in. Air Motor

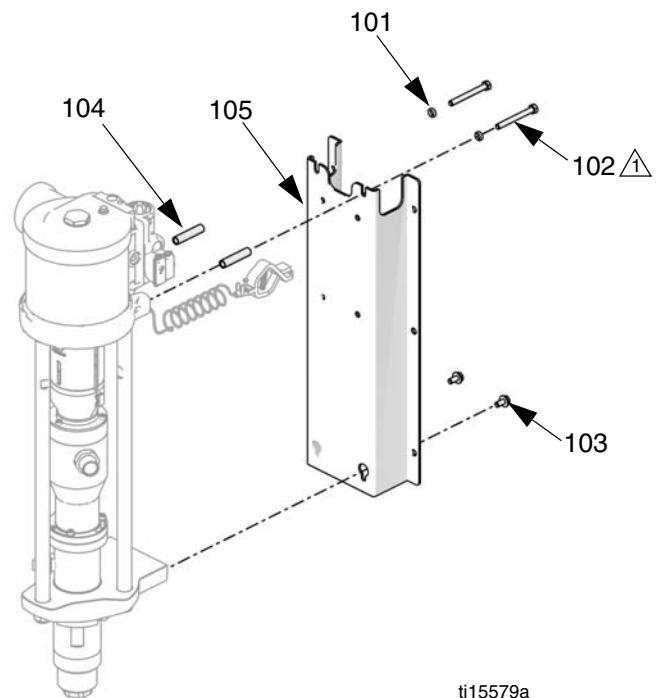
Ref.	Description	Qty.
101	WASHER, 7/8 in. (22 mm)	2
102	SCREW, M8 x 75	2
103	SCREW, M8 x 16	2
104	SPACER, 2.2 in. (56 mm)	2
105	PLATE, mounting	1

Kit 24E881, 4.5 in. Air Motor

Ref	Description	Qty
101	WASHER, 7/8 in. (22 mm)	2
102	SCREW, M8 x 60	2
103	SCREW, M8 x 16	2
104	SPACER, 1.5 in. (38 mm)	2
105	PLATE, mounting	1

Kit 24E882, 6 -7.5 in. Air Motor

Ref	Description	Qty
101	Not included in this kit.	0
102	Not included in this kit.	0
103	SCREW, M8 x 16	4
104	Not included in this kit.	0
105	PLATE, mounting	1



△ Apply red Loctite® (included) approximately 0.25 in. on screw thread.

Graco Inc. P.O. Box 1441 Minneapolis, MN 55440-1441

Original instructions. MM 406856

Copyright 2010, Graco Inc. is registered to ISO 9001

Revised 7/2010

Mounting Hardware Kits

Includes hardware for both wall and cart mounting, but does not include mounting plate

Kit 24E886, 3.5 in. Air Motor

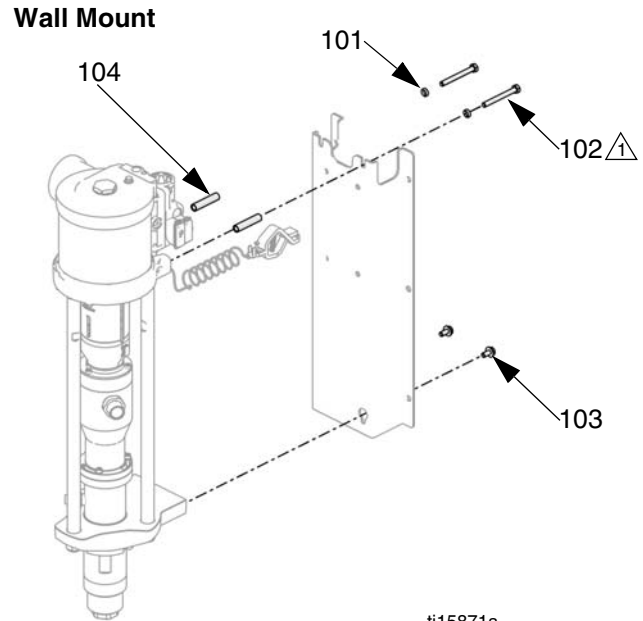
Ref.	Description	Qty.
101	WASHER, 7/8 in. (22 mm)	2
102	SCREW, M8 x 75	2
103	SCREW, M8 x 16 Wall mount - use 2 Cart mount - use all 6	6
104	SPACER, 2.2 in. (56 mm)	2
105	LOCK NUT, 13 mm; Cart Mount only	4

Kit 24E887, 4.5 in. Air Motor

Ref	Description	Qty
101	WASHER, 7/8 in. (22 mm)	2
102	SCREW, M8 x 60	2
103	SCREW, M8 x 16 Wall mount - use 2 Cart mount - use all 6	6
104	SPACER, 1.5 in. (38 mm)	2
105	LOCK NUT, 13 mm; Cart Mount only	4

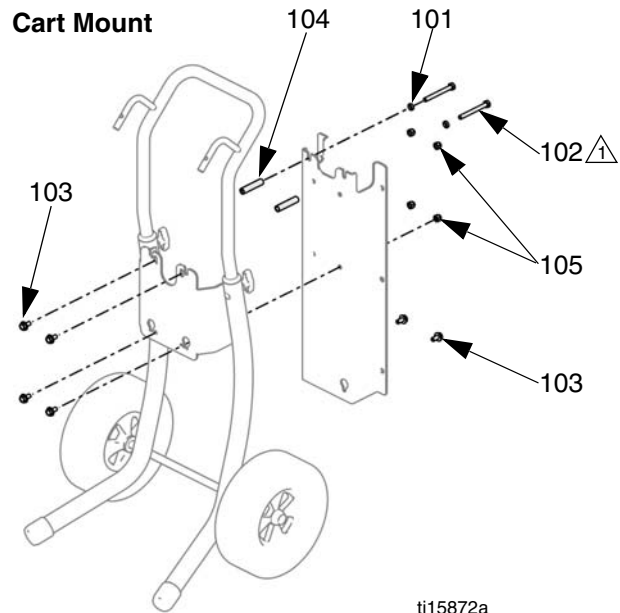
Kit 24E888, 6 -7.5 in. Air Motor

Ref	Description	Qty
101	Not included in this kit.	0
102	Not included in this kit. Use 103.	0
103	SCREW, M8 x 16 Wall mount - use 4 Cart mount - use all 8	8
104	Not included in this kit.	0
105	LOCK NUT, 13 mm; Cart Mount only	4



ti15871a

⚠ Apply red Loctite® (included) approximately 0.25 in. on screw thread.



ti15872a

⚠ Apply red Loctite® (included) approximately 0.25 in. on screw thread.