



## Important Safety Instructions

Before beginning, read all warnings and instructions in this manual and in your related equipment manuals. Save all instructions. This manual is only a guide for kit installation. See your ProMix PD2K Installation Manual for complete warnings and instructions.

# 24S004 Quick Disconnect Kit and 24U059 Air Whip Hose

407072B

EN

**To provide quick disconnect of an Electrostatic Air Hose when used with a ProMix® PD2K Proportioner. For professional use only.**

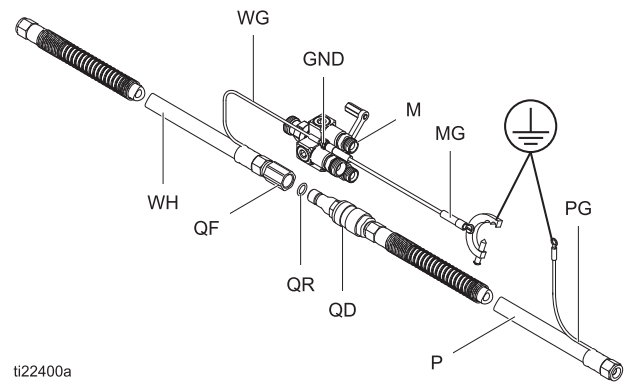
**NOTE:** To use a quick disconnect on an existing electrostatic air hose, order Part No. 24S004 Kit. You will also need to order Part No. 24U059 Electrostatic Air Whip Hose (6 ft) [1.8 m].

Install the kit as follows.

1. Connect the quick disconnect coupling (QD) to the existing electrostatic air hose (P). The quick disconnect is a 1/4 npsm(m) left-hand thread.
2. Install o-ring (QR) to the male part of the quick disconnect coupling (QD) at the threaded end.
3. Screw the female end of adapter fitting (QF) onto the quick disconnect coupling (QD).
4. Screw the 24U059 Electrostatic Air Whip Hose (WH) onto the male end of the adapter fitting (QF).

**NOTE:** Make the following ground connections to ensure air hose grounding continuity in the electrostatic system.

5. Connect the ground wire (PG) of the existing electrostatic air hose (P) to a true earth ground.
6. Connect the whip hose ground wire (WG) to the green ground lug (GND) of the mix manifold (M). Connect a ground wire (MG) from the mix manifold ground lug to a true earth ground.



ti22400a

## Parts

### Quick Disconnect Kit 24S004

Ref	Part No.	Description	Qty
QF	16W955	ADAPTER, QD	1
QD	112534	COUPLING, QD, air	1
QR	111710	O-RING	1

### Air Whip Hose

Ref	Part No.	Description	Qty
WH	24U059	HOSE	1

*All written and visual data contained in this document reflects the latest product information available at the time of publication.  
Graco reserves the right to make changes at any time without notice.*

Original instructions. This manual contains English. MM 407072

**Graco Headquarters:** Minneapolis

**International Offices:** Belgium, China, Japan, Korea

**GRACO INC. AND SUBSIDIARIES • P.O. BOX 1441 • MINNEAPOLIS MN 55440-1441 • USA**  
**Copyright 2013, Graco Inc. All Graco manufacturing locations are registered to ISO 9001.**

[www.graco.com](http://www.graco.com)

Revision B, June 2016